

Reliant



Parts Manual

For all Rialto RHD Models

INTRODUCTION

PARTS MANUAL - RIALTO ALL RHD MODELS

This Manual has been compiled to provide an easy means of identifying serviceable parts and assemblies for the Rialto range of models.

Within the Manual the vehicle has been broken down into major sections each identified by a letter. Sub-sections of a major section carry the same letter followed by a number.

Example: Section F Engine
 Sub-Section F2 Engine/Cylinder Head

For further details see Contents Sheet.

The Quantity column applies to the particular application and not necessarily to the number per vehicle.

Some assemblies are also serviced in detail. Components of such assemblies are indicated by in-setting the details in the description column.

Example: Damper unit assembly
 Bush
 Ferrule

The Remarks column provides a means of providing further information where necessary. For example where the application is restricted to G.L.S. variants or, up to a specified chassis number.

An Exchange Scheme exists on certain assemblies and components in the U.K. only. Items included in the schemes are identified with the suffix 'X' after the Part Number and are listed in the appropriate section.

From time to time this Manual will be updated by the issue of revised pages. Revised pages will carry the identification letter and number of the section or sub-section to which it applies together with an extra number indicating the Issue No.

Example: Section F2 would be re-issued as
 Section F2/1.
 Section F2/1 would be re-issued as
 Section F2/2

IMPORTANT

WHEN REPLACEMENTS ARE NECESSARY IT IS VITAL THAT ONLY GENUINE RELIANT 'R' PARTS ARE USED. THE RELIANT WARRANTY WILL NOT BE VALID IF IT IS FOUND THAT IMITATION PARTS HAVE BEEN FITTED.

'R' PART NO: 92919

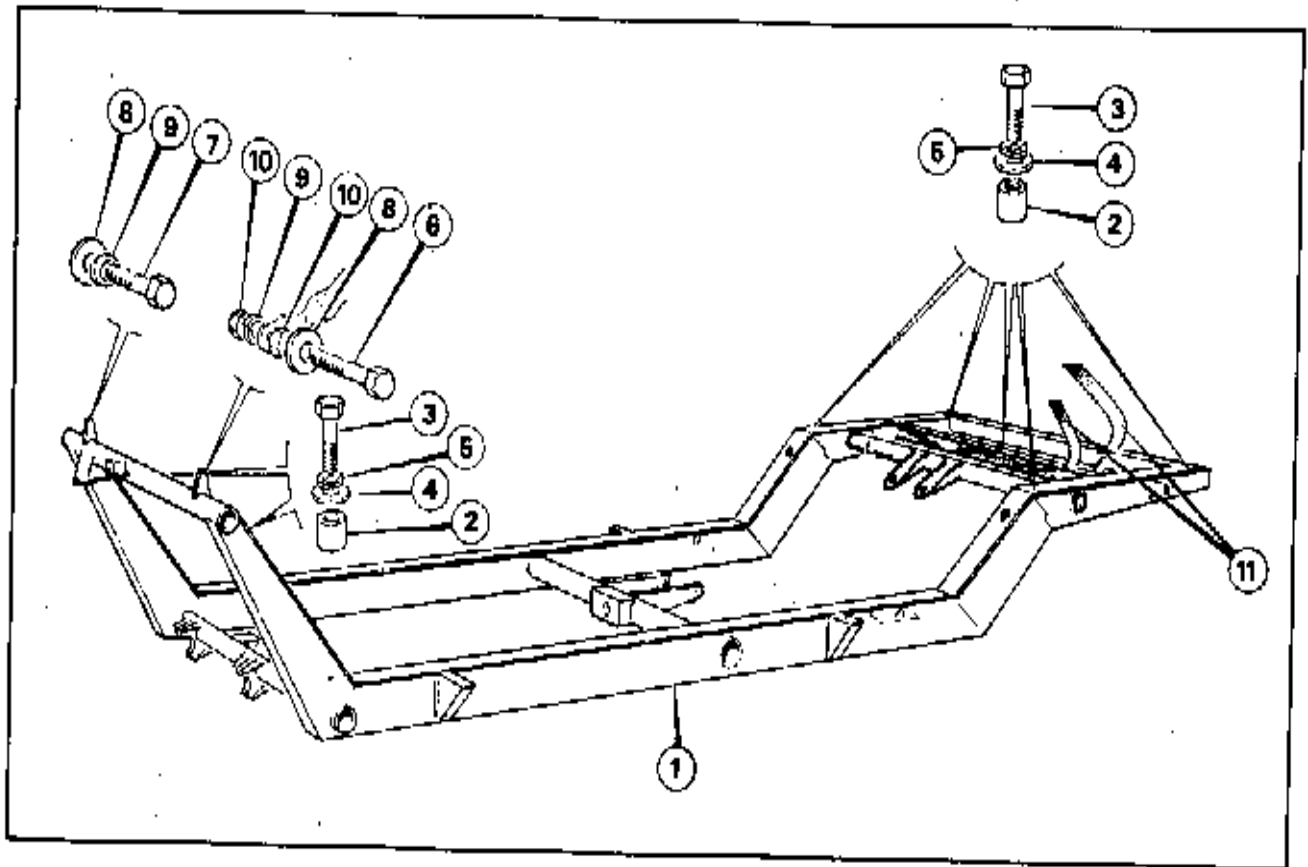
C O N T E N T S

INTRODUCTION

Section A	FRAME A1 Frame
Section B	FRONT SUSPENSION B1 Front Suspension
Section C	REAR SUSPENSION C1 Rear Suspension
Section D	STEERING D1 Steering
Section E	COOLING E1 Radiator and Hoses E2 Water Pump
Section F	ENGINE F1 Cylinder Block F2 Cylinder Head and Manifolds F3 Interior F4 Oil Pump F5 Gaskets and Seals
Section G	GEARBOX G1 Gearbox Exterior and Selectors G2 Gearbox Interior
Section H	CLUTCH H1 Clutch Mechanism H2 Clutch Pedal
Section J	DRIVESHAFT J1 Driveshaft
Section K	REAR AXLE K1 Rear Axle
Section L	BRAKES L1 Brakes Front L2 Brakes Rear L3 Brakes Hydraulics Dual Line L4 Brakes Pedal Mechanism L5 Handbrake
Section M	ROAD WHEELS AND TYRES M1 Road Wheels and Tyres
Section N	EXHAUST SYSTEM N1 Exhaust System
Section P	FUEL SYSTEM P1 Carburettor P2 Fuel Pump P3 Tank and Pipes P4 Fuel Overflow P5 Accelerator P6 Air Cleaner

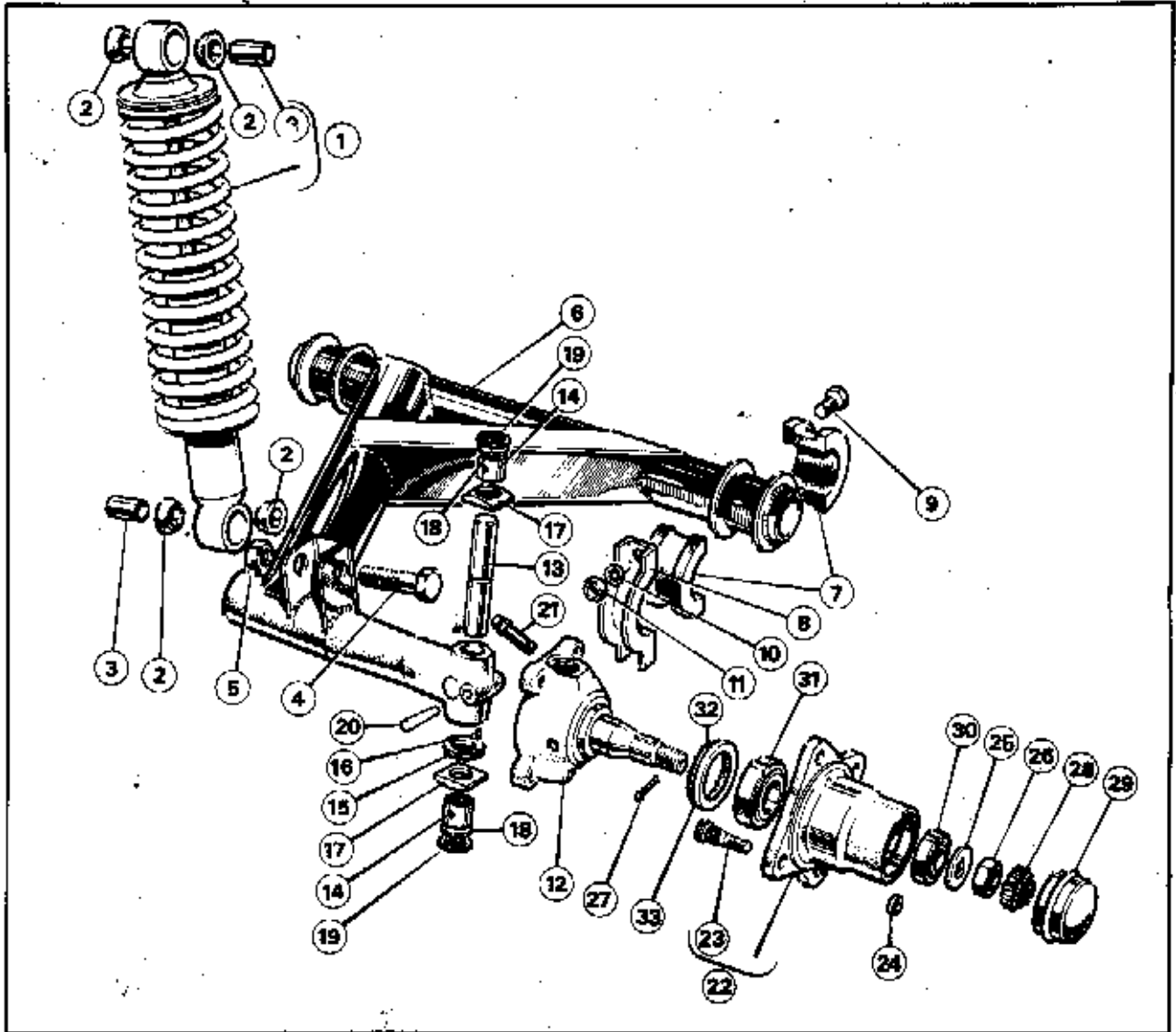
Section Q	BODY
	Q1 Main Body - 2 door
	Q2 Main Body - 3 door and Van
	Q3 Bonnet Lid
	Q4 Tailgate - 2 door
	Q5 Side Door Shell and Trim
	Q6 Side Door Mechanism
	Q7 Rear Door 3 door and Van
	Q8 Glasses and Seals
Section R	INTERIOR
	R1 Carpets and Trim
	R2 Fascia
	R3 Front Seats
	R4 Rear Seats
	R5 Seat Belts
Section S	HEATER
	S1 Heater
Section T	ELECTRICS
	T1 Starter Motor
	T2 Alternator
	T3 Distributor
	T4 Wiper Installation
	T5 Headlamps
	T6 Front Indicator and Side Lamps
	T7 Stop, Tail, Indicator Lamp
	T8 No. Plate and Courtesy Lamps
	T9 Rear Fog Guard Lamp
	T10 Instruments and Fascia Switches
	T11 Controls and Column Lock
	T12 General
	T13 Wiring Harness and Leads
	T14 Windscreen Washer
Section V	TOOLKIT
	V1 Toolkit
Section W	ACCESSORIES
	W1 Radio
	W2 Miscellaneous
Section X	GLASS FIBRE SECTIONS
	X1 Front Sections
	X2 Rear Sections

Chassis frame



PART NO.	DESCRIPTION	ITEM	REMARKS	QTY.
CHASSIS FRAME				
28177	Assy - Frame	1	All Models	1
23010	Nut Insert, Body to Frame	2		7
51442B	Set Screw, Body to Frame	3		7
28355	Coach Washer, Body to Frame	4		7
51201B	Spring Washer, Body to Frame	5		7
51445B	Set Screw, Eng.Well to Frame	6		1
51442B	Set Screw, Eng.Well to Frame	7		1
28355	Coach Washer, Eng.Well to Frame	8		2
51201B	Spring Washer, Eng.Well to Frame	9		2
50681B	Nut, Eng.Well to Frame	10		2
57431	Underseal			AR
27869	Insulation	11		66"

Front suspension



PART NO.	DESCRIPTION	ITEM	REMARKS	QTY.
28024	FRONT SUSPENSION			
	DAMPER ONLY			
28024	Front Suspension Unit	1		1
12562	Ferrule Bush	2		4
12114	Ferrule Sleeve	3		2
50164B	Bolt, Suspension Fixing	4		2
50005A	Nut, Suspension Fixing	5		2
25397	Assy. Radius Arm	6		1
4804	Bush, Radius Arm Mounting	7		2
6568	Cap, Radius Arm Mounting	8		2
51520B	Setscrew, Radius Arm Mounting	9		4
51203B	Lockwasher, Radius Arm Mounting	10		4
50683B	Nut, Radius Arm Mounting	11		4
27996	Stub Axle Less Brgs.	12		1
92866	Kit, Swivel Pin	13		1
	Swivel Pin	14		2
	Needle Bearing	15		1
	Thrust Washer-Pin	16		2
	Pin-Thrust Washer	17		2
	Thrust Washer, Stub Axle	18		2
	Plate	19		2
	Circlip	20		
	Taper Pin	21		
21591	Lubricator	21		

continued over 12

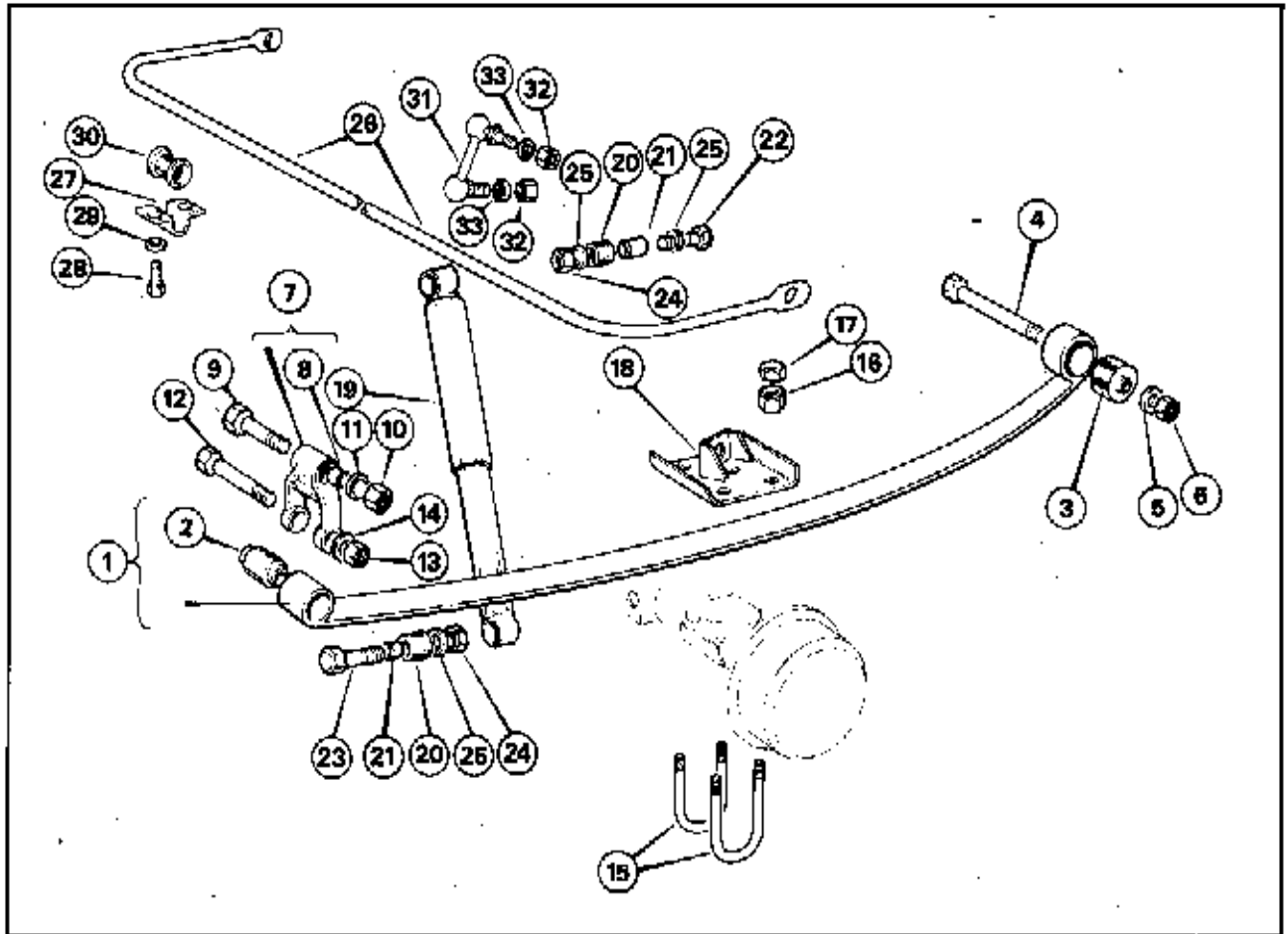


Front suspension



PART NO.	DESCRIPTION	ITEM	REMARKS	QTY.
FRONT SUSPENSION continued:-				
25611	Assy. Front Hub with Stubs.	22	1
20191	Stud	23	4
25604	Collar Drum Locating	24	1
24310	Washer - Hub Retaining	25	1
50708B	Nut - Hub Retaining	26	1
53867	Split Pin, Hub Retaining	27	1
13152	Locking Device, Hub Nut.....	28	1
200216	Cap - Front Hub	29	1
20053	Bearing Frt. Hub Outer	30	1
6411	Bearing Frt. Hub Inner	31	1
6374	Assy. Hub Oil Seal	32	1
	6376 Seal	33	1
	6375 Retainer			

Rear suspension



PART NO.	DESCRIPTION	ITEM	REMARKS	QTY.
REAR SUSPENSION				
28491	Asy. Rear Spring W. Bushes	1	2
6247	Bush Rear Spring	2	2
25028	Bush Rear Spring	3	2
25032	Bolt, Spring to Frame	4	2
25139	Washer, Spring to Frame	5	2
50833B	Nut, Spring to Frame	6	2
21727	Shackle Assy.	7	2
6247	Bush, Rear Shackle	8	2
50174B	Bolt, Shackle to Frame	9	2
50834B	Nut, Shackle to Frame	10	2
25761	Spacer, Shackle to Frame	11	2
50199B	Bolt, Spring to Shackle	12	2
50834B	Nut, Spring to Shackle	13	2
51125B	Washer, Spring to Shackle	14	2
25020	'U', Bolt Spring to Axle	15	4
58874B	Nut - 'U' Bolt	16	8
58881B	Locknut - 'U' Bolt	17	8
21722	Clamp Plate L.H.	18	1
21723	Clamp Plate R.H.	18	1

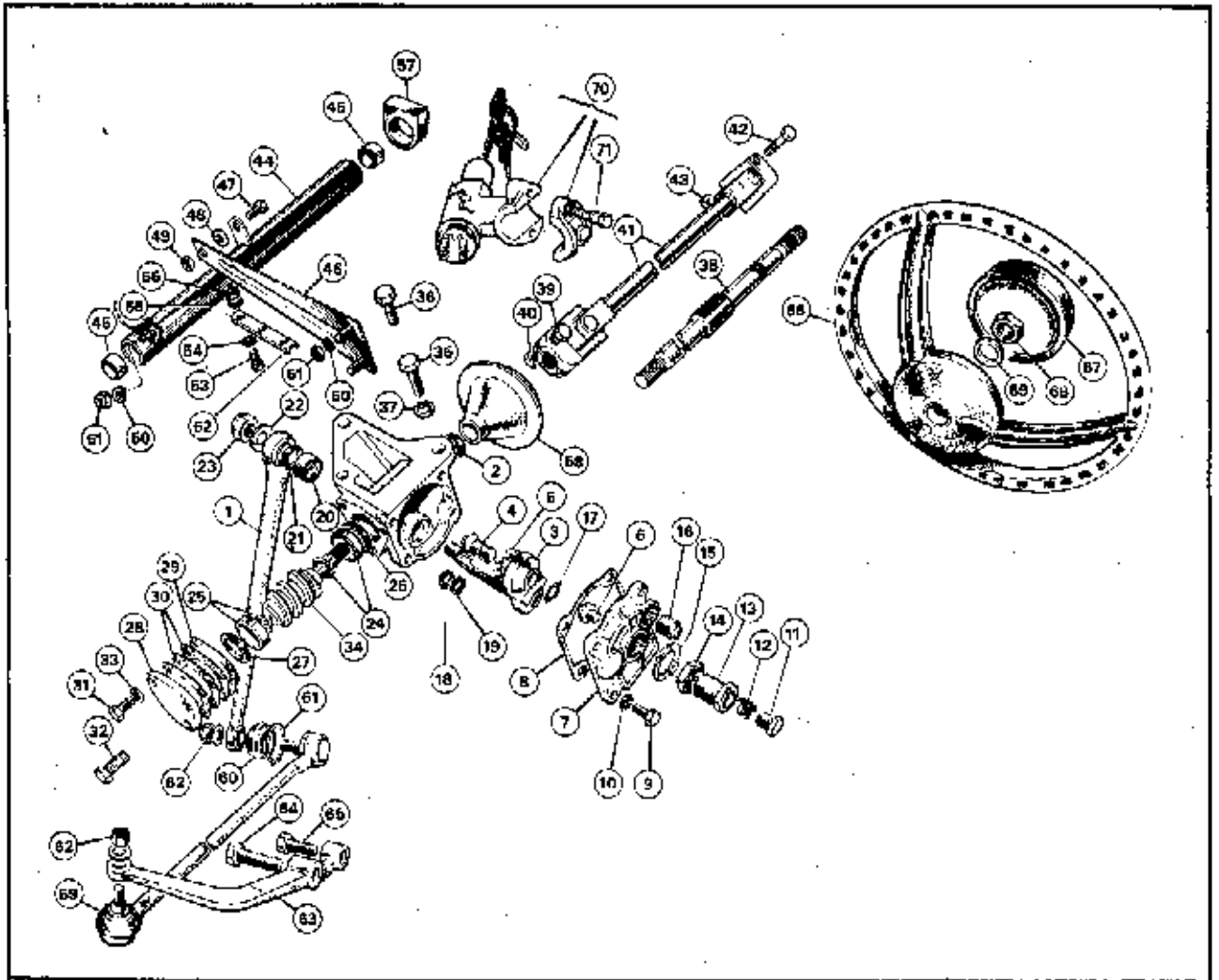
continued overleaf:-



Rear suspension



PART NO.	DESCRIPTION	ITEM	REMARKS	QTY.
REAR SUSPENSION continued:-				
30760				
24224	Rear Damper	19	2
90550	Bush	20	4
90551	Sleeve	21	4
50091B	Bolt, Damper To Frame	22	2
50086B	Bolt, Damper To Axle	23	2
51003B	Nut, Damper Securing	24	4
51133B	Washer, Damper to Axle and Frame	25	4 off to Frame 2 off to Axle	6
21731	Anti Roll Bar	26	1
21732	Clamp, Anti Roll Bar	27	2
51442B	Set Screw, Clamp Securing	28	4
51201B	Lockwasher, Clamp Securing	29	4
21734	Bush, Anti Roll Bar Mtg.	30	2
12048	Link Assy., R.H.	31	1
12049	Link Assy., L.H.	31	1
50814B	Nut, Link Securing	32	4
51134B	Washer, Link Securing	33	2



PART NO.	DESCRIPTION	ITEM	REMARKS	QTY.
STEERING				
22210	Steering Box Less Drop Arm			1
25775	Drop Arm	1		1
92518	Grommet, Stg. Box	2		1
91463	Rocker Shaft	3		1
91472	Ball Peg, Rocker Shaft	4		1
91481	Ball Brg, Rocker Shaft	5		8
91474	Adjuster, Rocker Shaft	6		1
91460	Cover Plate	7		1
91468	Gasket, Cover Plate	8		1
91475	Bolt, Cover Plate Securing	9		4
8086	Lockwasher, Plate Securing	10		4
8859	Bolt, Adjuster Screw	11		1
91484	Spring, Adjuster Screw	12		1
8861	Adjuster Screw	13		1
8862	Nut, Adjuster Screw	14		1
91480	Tabwasher, Rocker Shaft	15		1
91482	Oil Plug, Cover Plate	16		1
8854	Washer, Ball Peg	17		1
91478	Washer, Ball Peg	18		1
91485	Circlip, Ball Peg	19		1

continued overleaf:-

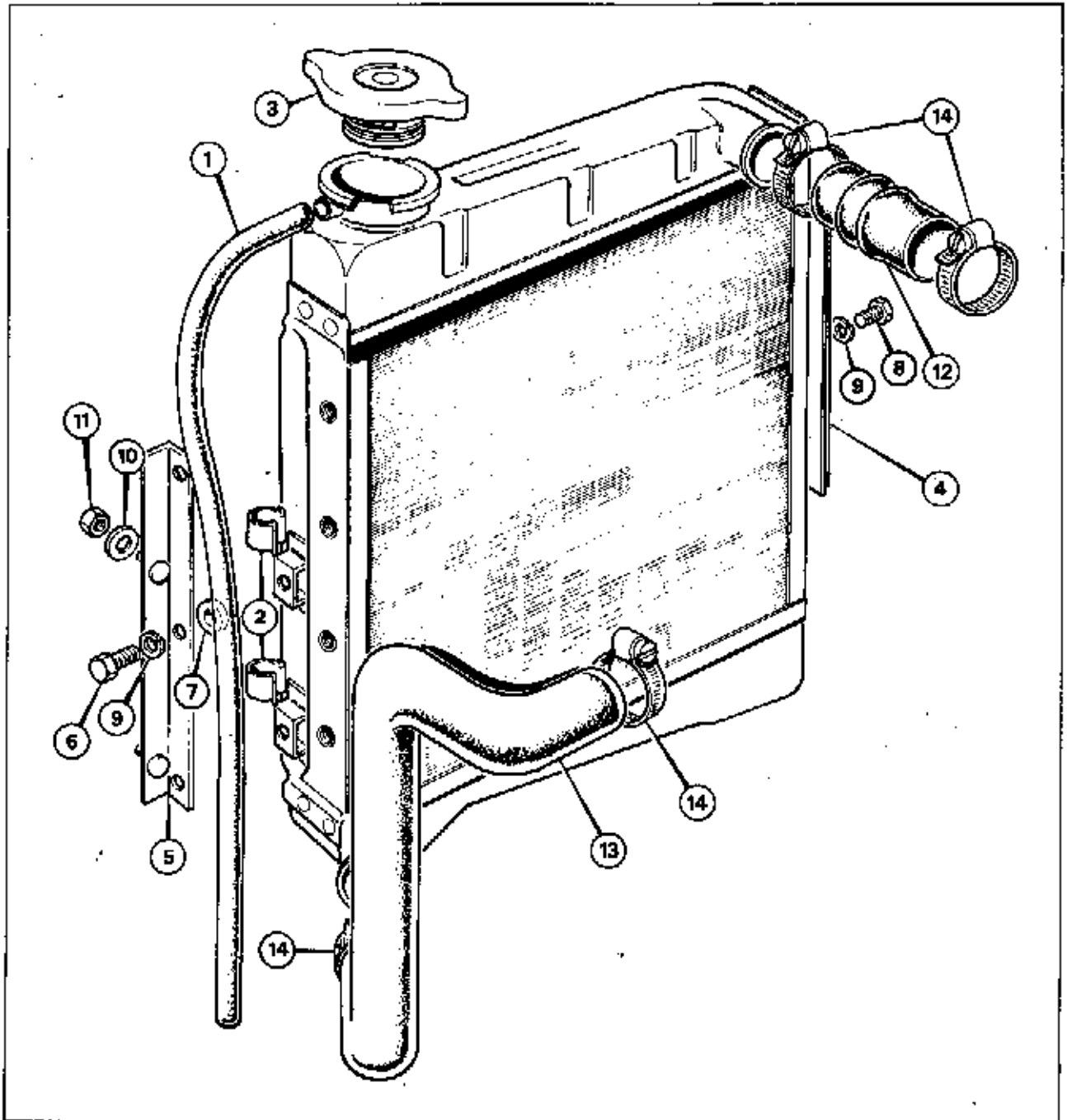


Steering



PART NO.	DESCRIPTION	ITEM	REMARKS	QTY.
STEERING continued:-				
8093	Bush, Rocker Shaft	20		1
8868	Oil Seal, Rocker Shaft	21		1
8088	Washer, Rocker Shaft	22		1
8084	Nut, Rocker Shaft	23		1
91473	Adjustable Ball Race Upper	24		1
91473	Adjustable Ball Race Lower	25		1
12235	Ball Bearings			20
90556	Oil Seal, Upper Bearing	26		1
8091	Spacing Washer, Lower Bearing	27		1
91470	End Plate	28		1
91465	Gasket, End Plate	29		2
91466	Shim, End Plate	30		2
91467	Shim, End Plate			3
91468	Shim, End Plate			1
91476	Bolt, End Plate Securing	31		2
91477	Bolt, End Plate Securing	32		1
51202R	Washer, End Plate Securing	33		3
91173	Inner Column and Worm	34		1
51526B	Set Screw, Stg. Box to Frame	35		1
51524B	Set Screw, Stg. Box to Frame	36		2
51203B	Lockwasher	37		3
28300	Assy, Steering Col. Upper	38		1
308513	Pinch Bolt Upper to Lower Col.	39		1
50812M	Nut, Upper To Lower Column	40		1
25700	Assy, Lower Column	41		1
208513	Pinch Bolt, Lower Col. to Box	42		1
50812M	Nut, Lower Column to Box	43		1
26480	Assy, Outer Column	44		1
26575	Bush, Outer Column	45		2
22227	Bracket Column Support	46		1
51131B	Washer, Bracket to Support	48		1
51001B	Nut, Bracket to Support	49		1
28355	Washer, Bracket to Body	50		4
51001B	Nut, Bracket to Body	51		4
29089	Bracket Column to Fascia	52		1
52161B	Screw, Bracket to Fascia	53		2
51131B	Washer, Bracket to Fascia	54		2
50681B	Nut, Bracket to Fascia	55		2
51201B	Lockwasher, Bracket to Fascia	56		3
22104	Bush, Column Clamping	57		1
25688	Grommet, Column to Body	58		1
28394	Track Rod Assy.	59		1
92872	Gaiter	60		2
92873	Clip, Gaiter Securing	61		2
12019	Track Rod Assy.		Alt. to item 59	1
90531	Gaiter		For 12019	2
7157	Clip, Gaiter Retaining		For 90531	2
50843B	Nut, Track Rod Securing	62		2
28956	Steering Arm	63		1
50046B	Bolt, Stg. Arm and Backplate to Stub.	64		1
50044R	Bolt, Stg. Arm and Backplate to Stub.	65		1
21941	Steering Wheel	66		1
22202	Crash Pad	67		1
21940	Steering Wheel		For use with 21941 only.	1
22578	Crash Pad		Alts. to 66	1
			For use with 21940 only	1
8085	Nut, Steering Wheel Retaining	68		1
51136B	Washer, Wheel to Column	69		1
25040	Lock Assy, Ignition and Steering	70		1
25346	Key		Quote Serial No.	2
91187	Shear Bolt	71		2

Cooling system — Radiator



PART NO.	DESCRIPTION	ITEM	REMARKS	QTY.
RADIATOR AND HOSES				
26442	Assy. Radiator with Overflow.....			1
18531	Overflow Tube	1		1
12483	Clip, Overflow Tube	2		2
18558	Pressure Cap	3		1
27517	Assy. Mounting Bracket R.H.	4		1
21224	Assy. Mounting Bracket L.H.	5		1
51482B	Set Screw, Radiator to Bracket	6		2
1991	Spacer, Radiator to Bracket	7		2
51480B	Set Screw, Radiator to Bracket	8		2
51202B	SpringWasher, Radiator to Bracket	9		4

continued overleaf

Section
E₁

Cooling system — Radiator

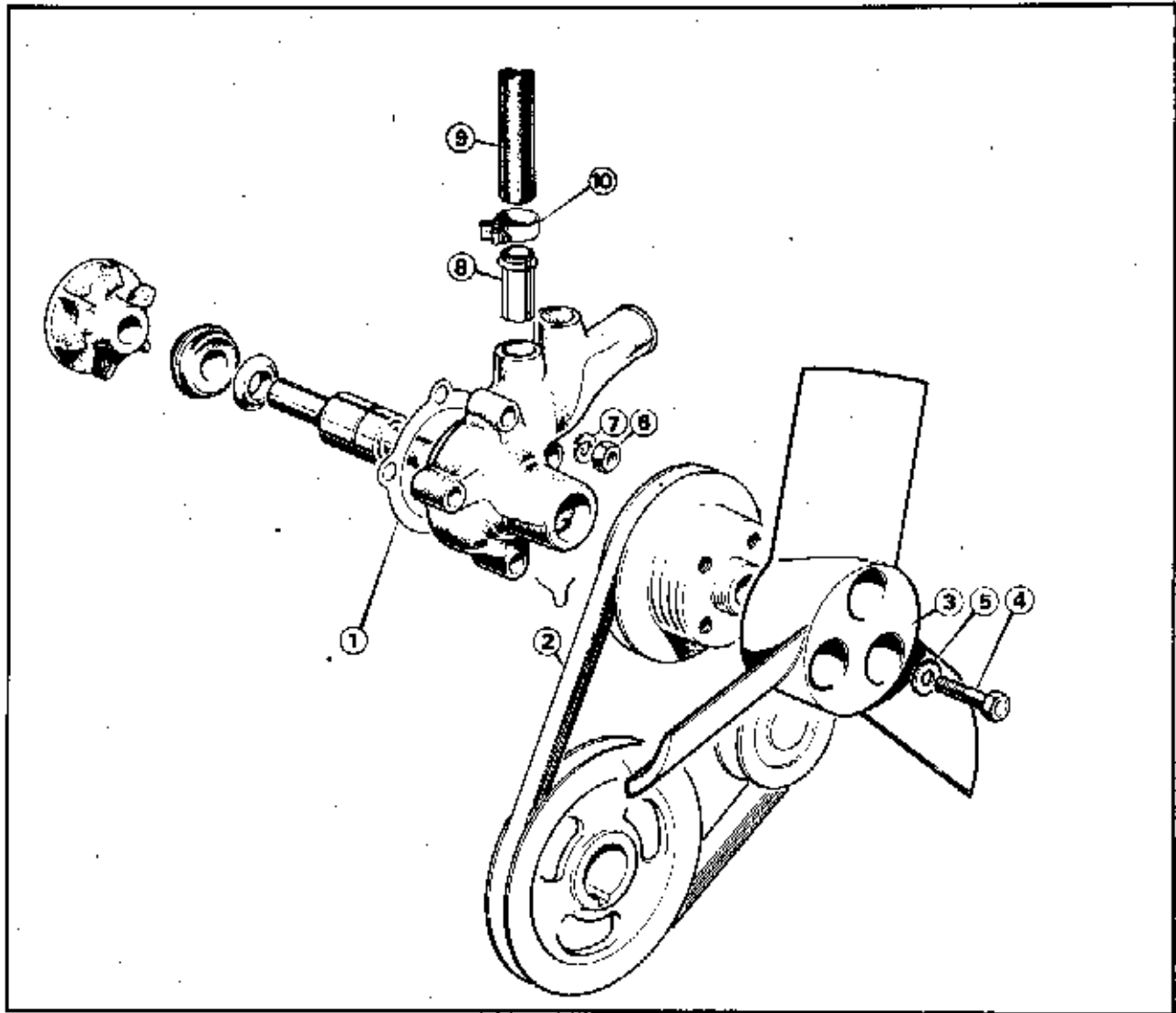


PART NO.	DESCRIPTION	ITEM	REMARKS	QTY.
----------	-------------	------	---------	------

COOLING SYSTEM - RADIATOR continued:-

26356	Coach Washer, Mtg. Brkt. to Body	10	4
51002B	Nut, Mtg. Brkt. to Body	11)	Alternatives	4
51702R	Nut, Mtg. Brkt. to Body)		4
18523	Hose Top	12	1
25774	Hose Bottom	13	1
54766B	Clip, Hose Securing	14	4

Cooling system – Water pump

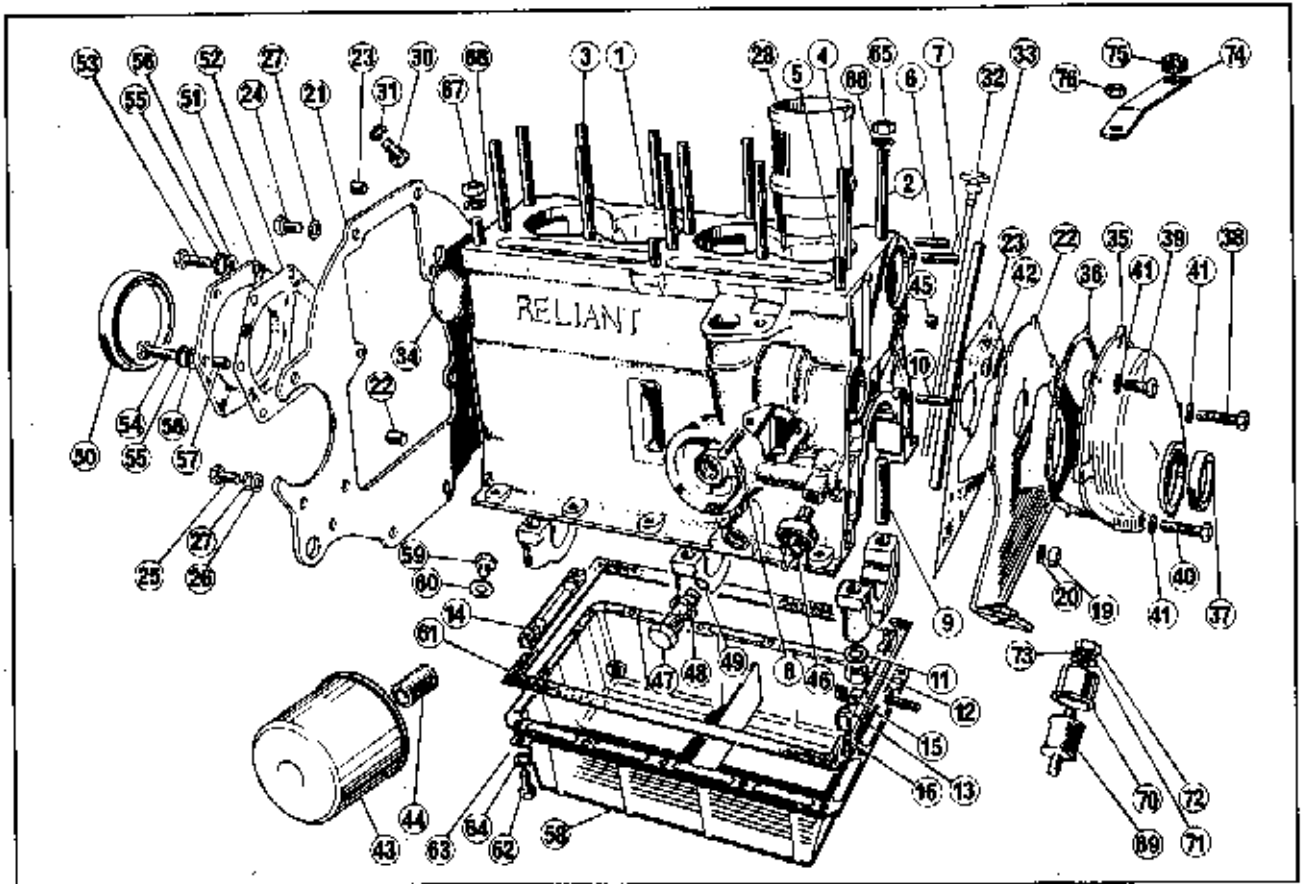


PART NO.	DESCRIPTION	ITEM	REMARKS	QTY.
COOLING SYSTEMS - WATER PUMP				
92749	Water Pump Assy. with Gasket		Up to Chassis No to be advised	1
92828	Water Pump Assy. with Gasket		From Chassis No. to be advised	1
6075	Gasket Pump to Block	1		1
23697	Vee Belt - Fan	2		1
21965	Fan, Plastic 3 Blade.	3		1
51444B	Set Screw, Fan Securing	4		3
51121B	Washer, Fan Securing	5		3
50682B	Nut, Pump Securing	6		4
51202B	Washer, Pump Securing	7		4
12412	Connection, Water Hose	8)	Alternatives	1
12413	Connection, Water Hose)		1
25495	Hose, Adaptor to Pump Connection	9	9" off 7996	1
54762B	Clip, Water Hose	10		4



Section
F1

Engine – Cylinder block



PART NO.	DESCRIPTION	ITEM	REMARKS	QTY.
ENGINE - CYLINDER BLOCK				
26231X 3544X	Engine Assembly, Service Unit		Exchange Unit	1
	Less fuel pump, air cleaner, carburettor, starter motor, alternator, distributor and clutch assembly.			
37423	Cyl. Block Assy.	1		1
11884	Stud, Cylinder Head	2		1
6677	Stud, Cylinder Head	3		6
6123	Stud, Cylinder Head	4		5
6355	Stud, Cylinder Head	5		3
6154	Stud, Water Pump	6		3
11067	Stud, Water Pump and Strap	7		1
11067	Stud, Fuel Pump	8		2
6124	Stud, Oil Pump Extension		Not Illustrated	2
6115	Stud, Main Brq. Cap.	9		6
12801	Stud, Front Engine Plate	10		3
51123B	Washer, Main Brq. Cap	11		6
51103B	Nut, Main Brq. Cap	12		6
6019	Bridge Piece, Front	13		1
6020	Bridge Piece, Rear	14		1
6116	Packing, Cork	15		4
6114	Screw, Bridge Piece Securing	16		4
22182	Mounting Plate, Front	17		1
12800	Gasket, Mounting Plate	18		1
50601B	Nut, Mounting Plate to Block	19		3
51201B	Lockwasher, Mounting Plate to Block	20		2
22119	Mounting Plate, Rear	21		1
6137	Dowel, Mounting Plate Location 9/16"	22		1
6361	Dowel, Mounting Plate Location 3/4"	23		1
51502B	Set Screw, Rear Plate to Block	24		3
51503B	Set Screw, Rear Plate to Block	25		1
51132B	Washer, Rear Plate to Body	26		1
51202B	Lockwasher, Rear Plate to Body	27		4
20243B	Cylinder Liner	28	High	4

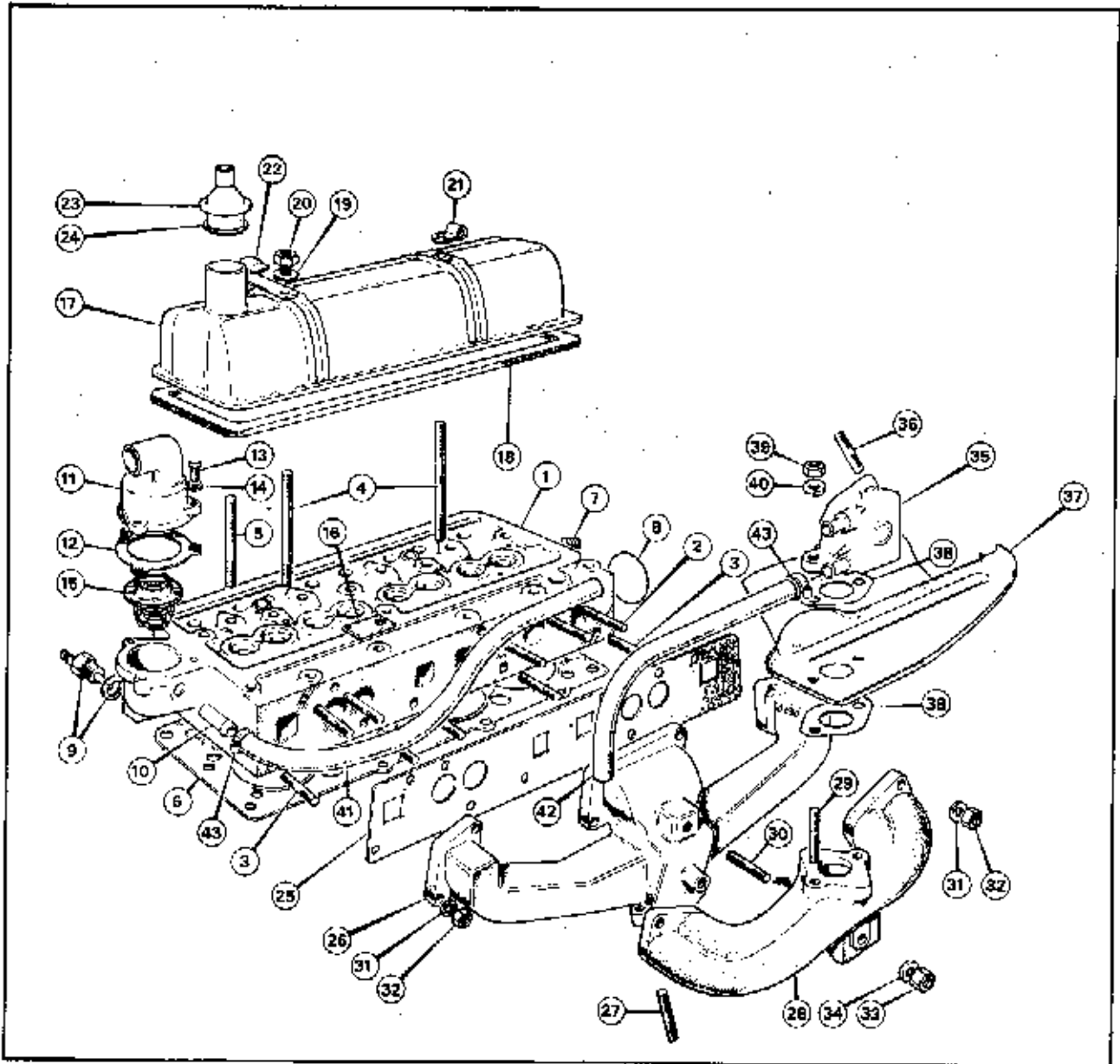
continued overleaf:-



Engine — Cylinder block



PART NO.	DESCRIPTION	ITEM	REMARKS	QTY.
ENGINE - CYLINDER BLOCK continued:-				
20243M	Cylinder Liner		Mean	4
20243L	Cylinder Liner		Low	4
57460	Sealant		75cc Tube	1
23114	Drain Plug, Coolant	30		1
51322	Washer, Drain Plug	31		1
11879	Dipstick	32		1
11878	Tube, Dipstick Guide	33		1
6082	Core Plug, Camshaft	34		1
6045	Cover, Timing Chain	35		1
6071	Gasket, Timing Cover	36		1
3287	Oil Seal, Front	37		1
50039B	Bolt, Timing Cover	38		1
51464B	Set Screw, Timing Cover	39		5
50027B	Bolt, Timing Cover	40		1
51201B	Lock Washer, Timing Cover	41		9
50694D	Nut, Timing Cover	42		2
10016	Oil Filter	43		1
10015	Adaptor, Oil Filter Mounting	44		1
6106	Plug, Oilway	45		6
5770	Switch, Oil Pressure Warning	46		1
27901	Relief Valve - Unit	47		1
27906	'O' Ring Valve Sealing	48		1
12480	Washer, Valve	49		1
20240	Oil Seal, Rear Crankshaft	50		1
20241	Rear Cover	51		1
20242	Gasket, Rear Cover	52		1
51463B	Set Screw, Rear Cover	53		4
51464B	Set Screw, Rear Cover	54		2
51201B	Lockwasher, Rear Cover	55		6
51131B	Washer, Rear Cover	56		6
20256	Dowel, Rear Cover	57		3
6138	Sump	58		1
7641	Plug, Sump Drain	59		1
51325	Washer, Drain Plug	60		1
6035	Gasket, Sump	61		1
51461B	Set Screw, Sump to Block	62		15
7623	Washer, Sump to Block	63		15
51201B	Lockwasher	64		15
50683B	Nut, Cylinder Head Securing	65		12
51123B	Washer, Cylinder Head Securing	66		12
50682B	Nut, Cylinder Head Securing	67		3
51202B	Washer, Cylinder Head Securing	68		3
21751	Mounting Block	69		2
21756	Restrictor Cup, Mounting Block	70		2
51133B	Washer, Mounting Block	71		4
50683B	Nut, Mounting Block	72		4
51203B	Lockwasher, Mounting Block	73		4
11881	Dipstick Tube Support	74		1
201149	Grommet, Dipstick Tube Support	75		1
50705B	Nut, Support Securing	76		1



PART NO.	DESCRIPTION	ITEM	REMARKS	QTY.
ENGINE - CYLINDER HEAD AND MANIFOLDS				
25378	Cylinder Head Assy. with Guides	1		1
	Inserts and Studs			
6355	Stud, Manifold Long	2		8
6843	Stud, Manifold Short	3		2
6357	Stud, Rocker Cover	4		2
6354	Stud, Rocker Shaft Bracket	5		4
10129	Guide Valve Inlet and Exhaust		See P.3	8
23271	Insert, Inlet Valve		See P.3	4
23272	Insert, Exhaust Valve		See P.3	4
10996	Gasket, Cylinder Head	6		1
6106	Plug, Oilway	7		1
10072	Core Plug	8		1
28131	Temperature Transmitter W/Washer	9		1
12412	Connection, By Pass Hose	10	Alternatives	1
12413	Connection, By Pass Hose)	1
57456	Compound, Connection Retaining			AR

Section
F₂

Engine – Cylinder head and manifolds

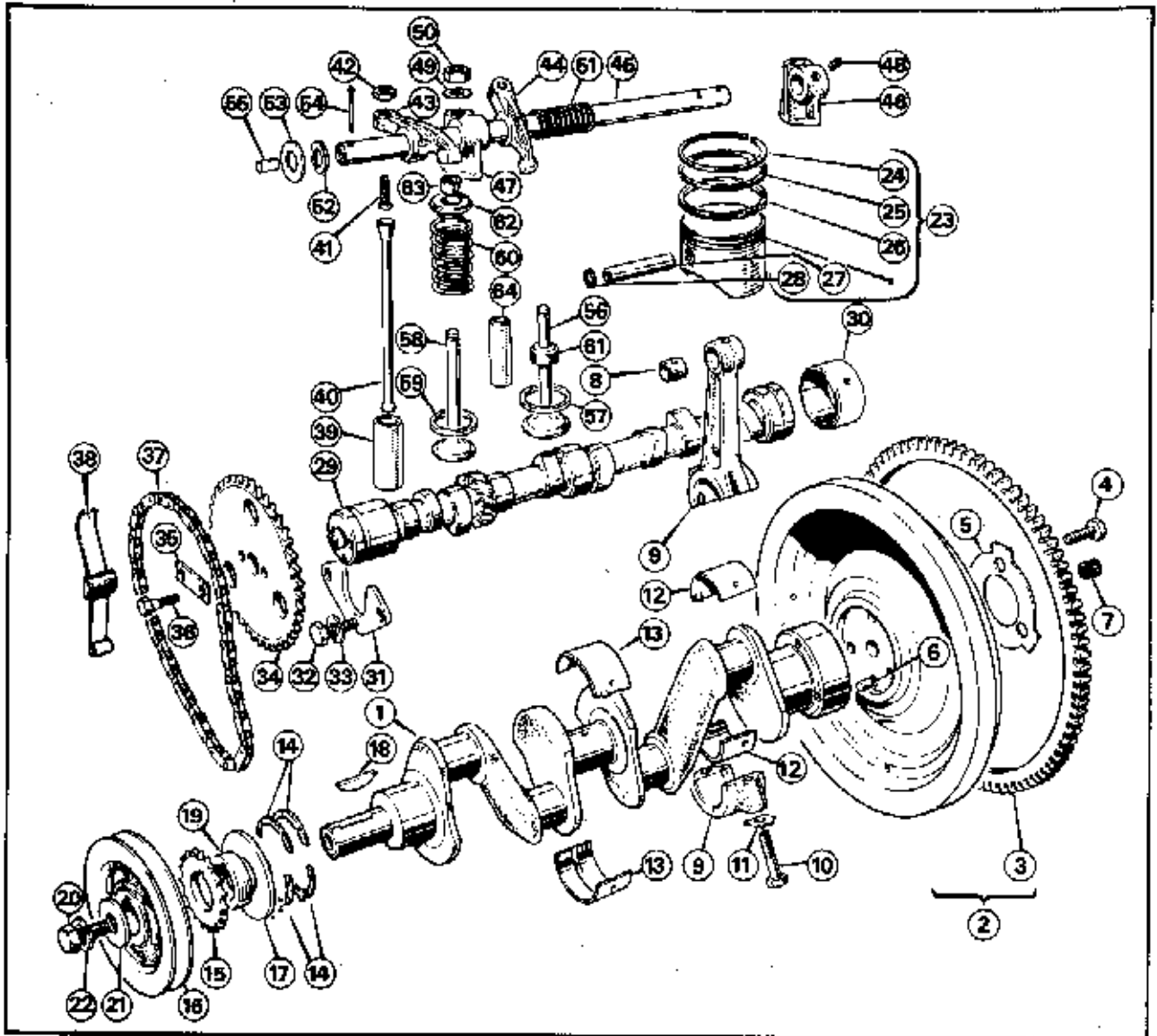


PART NO.	DESCRIPTION	ITEM	REMARKS	QTY.
ENGINE - CYLINDER HEAD & MANIFOLDS continued:-				
18520	Water Outlet Branch	11	1
6076	Gasket, Water Outlet	12	1
51463B	Set Screw, Water Outlet	13	3
51201B	Lockwasher, Water Outlet	14	3
10730	Thermostat	15	88 Degree Wax	1
25390	Anchor Plate, Throttle Spring	16	1
6113	Rocker Cover	17	Black Only	1
6119	Gasket, Rocker Cover.....	18	1
18887	Adhesive, Gasket to Cover	AR
51321	Washer, Cover Retaining	19	2
51002B	Nut, Cover Retaining.....	20	2
29244	Support Bracket, Fuel Pipe	21	1
26182	Clip, Fuel Pipe to Support		Not illustrated	1
25535	Support Strap, Heater Pipe	22	1
24155	Cap, Oil Filler and Breather	23	1
90964	'O' Ring, Cap Seal	24	1
6365	Gasket, Manifolds to Block	25	1
14242	Manifold, Exhaust	26	1
6499	Stud, Exhaust Downpipe	27	2
24214	Manifold, Inlet	28	1
25360	Stud, Manifold to Carb. Adaptor	29	2
22974	Stud, Manifold to Manifold	30	1
51202B	Lockwasher, Manifolds to Head	31	10
50744	Nut, Manifolds to Head.....	32	10
51002B	Nut, Manifold to Manifold	33	1
51122B	Washer, Manifold to Manifold	34	1
24217	Adaptor, Carb. to Manifold	35	1
25647	Stud, Carb to Adaptor	36	2
25650	Welch Plug		Not illustrated	1
25284	Drip Tray	37	1
27485	Gasket, Manifold, Adaptor, Tray.....	38	2
50682B	Nut, Adaptor and Tray to Manifold.....	39	2
51202B	Lockwasher, Adaptor and Tray to Manifold	40	2
25494	Hose, Thermostat to Adaptor	41	11" Long 7996	1
25495	Hose, Adaptor to Water Pump	42	9" Long 7996	1
54762B	Clip, Water Hoses	43	4
23339	Adaptor, heater Hose Connection		See Section S1	1



Engine - Interior

Section
F₃



PART NO.	DESCRIPTION	ITEM	REMARKS	QTY.
ENGINE INTERIOR				
24079	Crankshaft	1	1
24079X	Crankshaft - Reground	1	1
91728	Crankshaft, Reground w/bearings	1	Exchange	1
92283	Flywheel Assy.	2	1
2545	Ring Gear	3	1
51520	Set Screw, Flywheel Securing	4	3
2436	Tab Washer, Flywheel Securing	5	1
25633	Dowel, Flywheel Locating	6	1
25407	Spigot Bush	7	1
25373	Con Rod Assy.	8	4
9251	Bearing, Small End	9	4
	Connecting Rod	10	Not Serviced	4
6155	Bolt	11	8
6366	Lockplate	12	8
92628	Set. Con Rod Brgs. Etd.	13) Select	1st
92629	Set. Con Rod Brgs. .010"u/s) According to	1st
92630	Set. Con Rod Brgs. .020"u/s) Crank Size	1st
92631	Set. Con Rod Brgs. .040"u/s)	1st
90994	Set Main Brgs. Std.	13) Select	1st
90995	Set Main Brgs. .010"u/s) According to	1st
90996	Set Main Brgs. .020"u/s) Crank size	1st
90997	Set Main Brgs. .040"u/s)	1st

continued overleaf:-



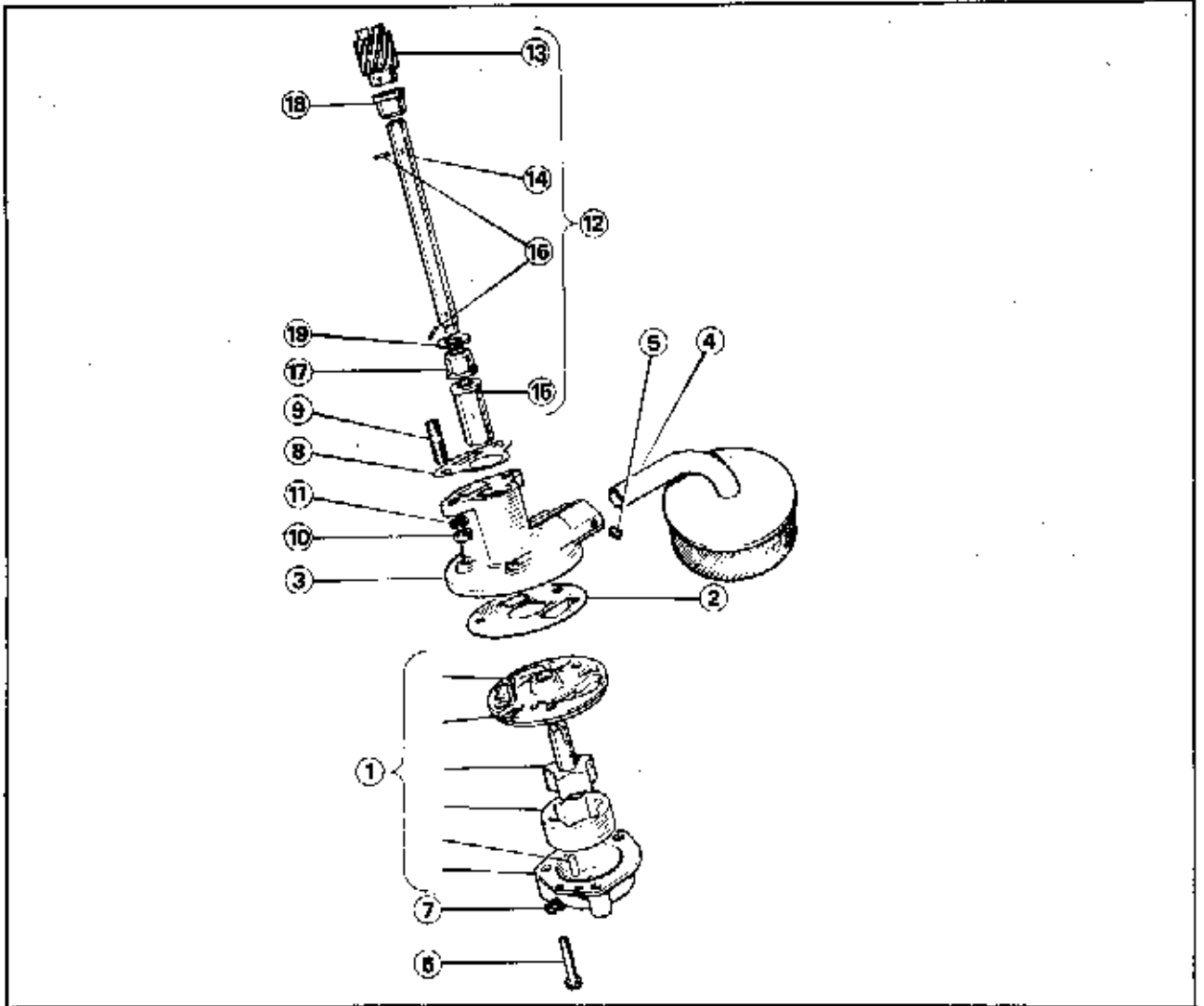
Engine - Interior



PART NO.	DESCRIPTION	ITEM	REMARKS	QTY.
ENGINE - INTERIOR continued:-				
91052	Set, Thrust Washers Std.			1set
91347	Set, Thrust Washers .0025" o/s	14) Select	1st
91349	Set, Thrust Washers .0050" o/s) as	1st
91349	Set, Thrust Washers .0075" o/s) Required	1st
91350	Set, Thrust Washers .010" o/s)	1st
9819	Sprocket)	1st
25169	Pulley, Crankshaft 5" dia.	15		1
24059	Washer, Crankshaft Thrust	16		1
6054	Key	17		1
9812	Spacer, Crank Sprocket 0.450"	18		1
9813	Spacer, Crank Sprocket 0.455"	19		1
9814	Spacer, Crank Sprocket 0.460") Selective	1
9815	Spacer, Crank Sprocket 0.465") Fit	1
9816	Spacer, Crank Sprocket 0.470")	1
9817	Spacer, Crank Sprocket 0.475")	1
9818	Spacer, Crank Sprocket 0.480")	1
50080B	Bolt, Pulley Securing	20		1
9850	Washer, Pulley Retaining			1
51203B	Lockwasher Pulley Retaining	21		1
20244H	Piston Assy. High Std.	22		1
20244M	Piston Assy. Mean Std.	23) Select	4
20244L	Piston Assy. Low Std.) According to	4
20417	Compression Ring Std.	24) Liner size	4
20418	Taper Ring Std.			4
20419	Scraper Ring Std.	25		4
20420	Gudgeon Pin	26		4
10928	Circlip, Gudgeon Pin	27		4
22496	Piston Assy. 0.010" o/s	28		4
22500	Compression Ring .010			4
22498	Taper Ring .010			4
22502	Scraper Ring .010			4
20420	Gudgeon Pin			4
10928	Circlip, Gudgeon Pin			4
10712	Camshaft			8
10712X	Camshaft - Reground	29		1
9902	Bearing, Camshaft			1
6041	Retaining Plate	30		1
10969	Retaining Plate	31	Only with 10712	1
50060	Bolt, Retaining Plate		Only with 10712X	1
51202	Lockwasher, Retaining Plate	32		2
6042	Sprocket, Camshaft	33		2
6053	Plate, Sprocket Locking	34		1
6046	Screw, Sprocket Locking	35		1
6051	Timing Chain	36		1
10973	Tensioner, Timing Chain	37		1
28517	Tappet	38		1
6061	Pushrod	39		8
27453	Screw, Tappet Adjustment	40		8
50703	Lock Nut, Adjustment Screw	41		8
15595	Rocker Arm R.H.	42		8
15596	Rocker Arm L.H.	43		4
6065	Rocker Shaft	44		4
27452	Bracket, Rocker Shaft Support	45		1
27458	Bracket, Rocker Shaft Support	46	Drilled for 6068	1
6068	Screw, Shaft Locating	47		3
51123B	Washer, Support Bracket Stud	48		1
50683B	Nut, Support Bracket Stud	49		4
6067	Spring, Intermediate	50		4
6069	Spring, Shaft End	51		3
51167	Washer, End Spring Retaining	52		2
53846	Split Pin, End Spring Retaining	53		2
10938	Plug, Shaft End	54		2
23273	Valve, - Inlet	55		2
23271	Insert, Inlet Valve	56		4
23274	Valve, Exhaust	57		4
23272	Insert, Exhaust Valve	58		4
23150	Spring, Inlet and Exhaust	59		4
26342	Spring, Inlet and Exhaust	60) Alternatives	8
6595	Seal, Valve Stem) in sets only	8
6005	Cup, Valve Spring	61		8
6006	Cotter, Valve Securing	62		8
10129	Valve Guide, Inlet and Exhaust	63		8
		64		8

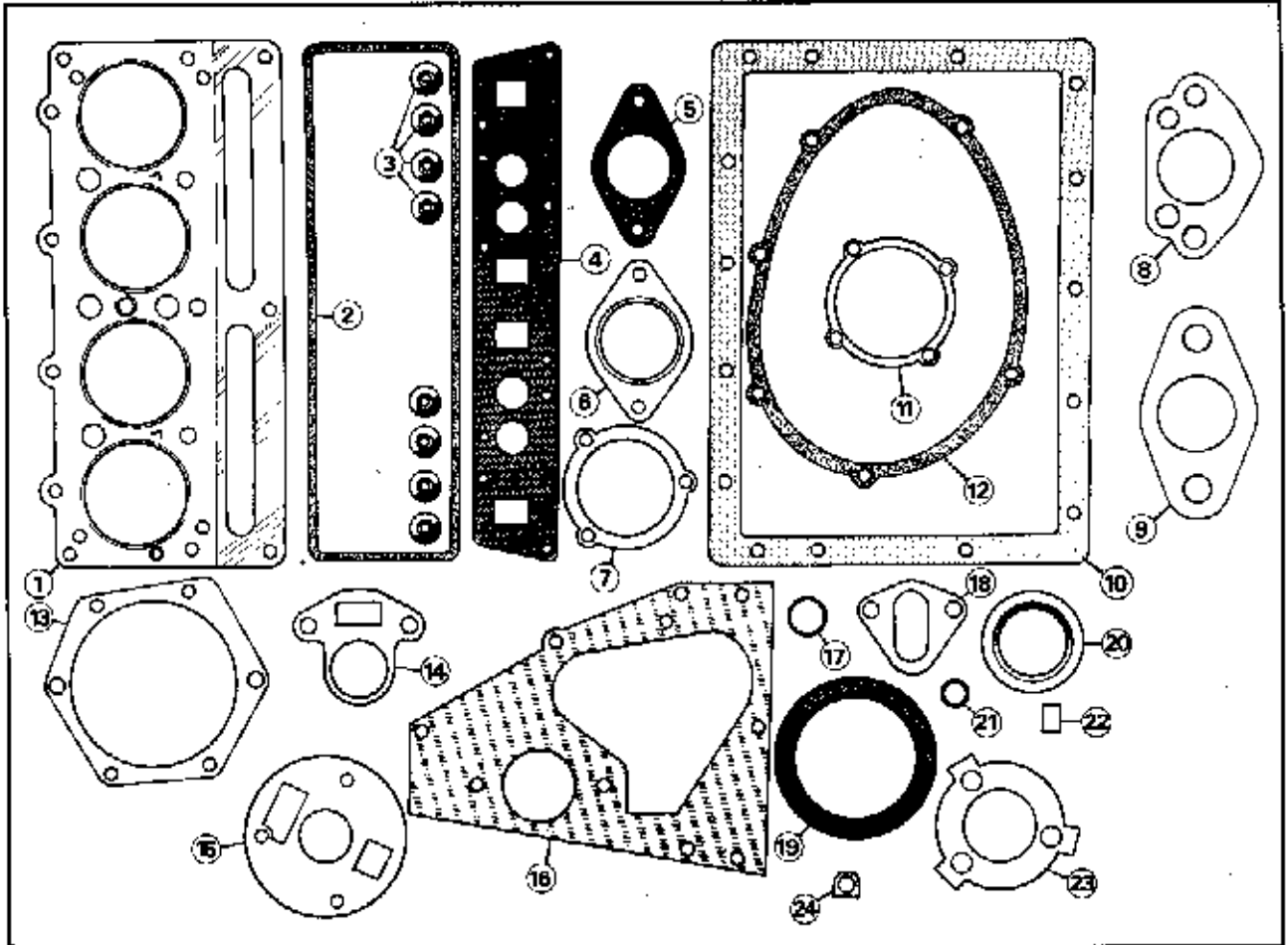


Engine — Oil pump



PART NO.	DESCRIPTION	ITEM	REMARKS	QTY.
	ENGINE - OIL PUMP			
10716	Oil Pump Assy.	1	1
10713	Gasket, Pump to Extension	2	1
22430	Filter and Extension Assy.	1
13069	Extension	3	1
13068	Filter	4	1
13067	Socket Setscrew	5	1
50039	Bolt, Extension to Sump	6	3
51201	Lockwasher, Extension to Sump	7	3
9567	Gasket, Extension to Block	8	1
6124	Stud, Extension Locating	09	2
50682	Nut, Extension Securing	10	2
51202	Lockwasher, Extension Securing	11	2
24638	Drive Shaft Assy., Pump and Distributor	12	1
	Gear	13	Non Serviceable	1
	Shaft	14	Non Serviceable	1
	Thrust Muff	15	Non Serviceable	1
6613	Pin, Muff and Gear	16) Alternatives	2
13212	Pin, Muff and Gear)	2
6030	Bush, Drive Shaft Lower	17	1
27845	Bush, Drive Shaft Upper	18	1
13083	Shim, Bush Lower to Block	19	AR

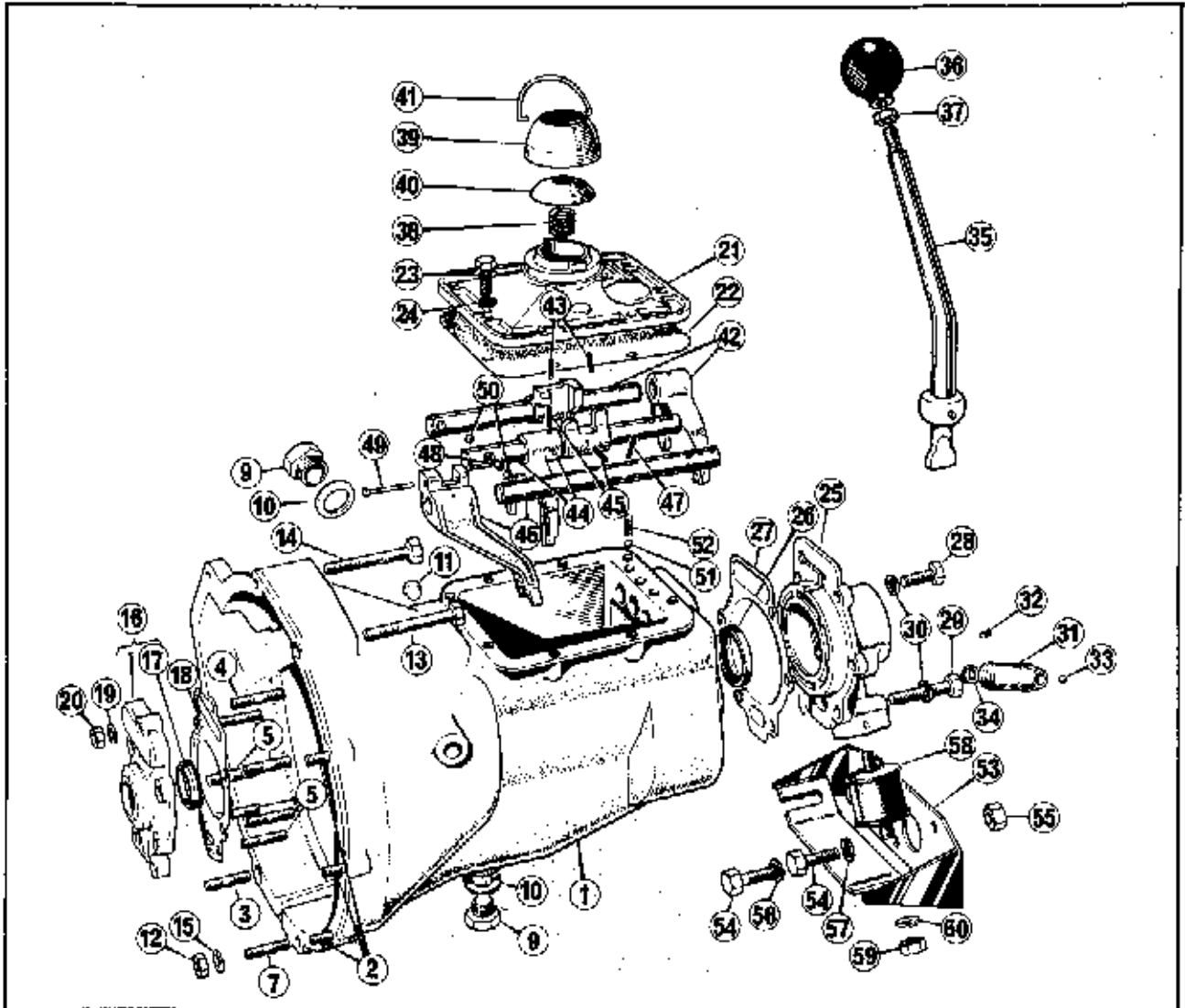
Engine – Gaskets and seals



PART NO.	DESCRIPTION	ITEM	REMARKS	QTY.
ENGINE - GASKETS AND OVERHAUL SETS				
91149	Gasket Kit, Complete Overhaul			1
91150	Gasket Kit, Top Overhaul			1
10996	Gasket, Cylinder Head	1		1
6119	Gasket, Rocker Cover	2		1
6595	Seal, Valve Stem	3		6
6365	Gasket, Manifold	4		1
27485	Gasket, Manifold to Drip Tray	5		1
27485	Gasket, Drip Tray to Adaptor	5		1
6588	Gasket, Downpipe	6		1
6076	Gasket, Thermo. Housing	7		1
24278	Gasket, Air Cleaner to Carb.	8		1
24279	Gasket, Carburettor to Adaptor	09		1
6035	Gasket, Oil Sump	10		1
6075	Gasket, Water Pump to Block	11		1
6071	Gasket, Front Cover	12		1
20242	Gasket, Rear Cover	13		1
9567	Gasket, Oil Pump Extension	14		1
10713	Gasket, Oil Pump to Extension	15		1
12800	Gasket, Front Mounting Plate	16		1
51325	Gasket, Sump Plug	17		1
27119	Gasket, Fuel Pump S.U.	18		1
20240	Oil Seal, Rear	19		1
2287	Oil Seal, Front	20		1
51322	Gasket, Water Drain Plug	21		1
6116	Packing, Bridge Piece	22		4
2436	Tab Washer, Flywheel	23		1
6366	Tab Washer, Con. Rod	24		8
6054	Key, Crank Pulley		See Section F3	1



Gearbox — Exterior and selectors



PART NO.	DESCRIPTION	ITEM	REMARKS	QTY.
GEAR BOX - EXTERIOR AND SELECTORS				
29260X	Gear Box Assy.		Exchange	1
29261	Gear Box Case, with Studs	1		1
6327	Stud, G/Box to Engine	2		4
6328	Stud, G/Box to Engine	3		1
13351	Stud, Front Cover	4		1
13352	Stud, Front Cover	5		6
6331	Stud, Clutch Fork Bracket		Not illustrated	2
27841	Stud, G/Box To Engine and Strap	7		1
6137	Dowel Locating G/Box to Engine		Not illustrated	1
1298	Plug, Drain, Level and Filler	9		2
51328	Washer, Plugs	10		2
14240	Blanking Plug, Interlock Pin	11	Early Models	1
25259	Blanking Plug, Interlock Pin		For Rev. Switch	1
50682B	Nut, Gear Box to Engine	12		6
50069B	Bolt, Gear Box to Engine	13	2.3/4" long	1
50068B	Bolt, Gear Box to Engine	14	2.1/2" long	1
51202B	Lockwasher, Gear Box to Engine	15		8
13407	Front Cover	16		1
13408	Oil Seal Front Cover	17		1
6180	Gasket, Front Cover to Case	18		1
51201B	Lockwasher, Front Cover to Case	19		7
50681B	Nut, Front Cover to Case	20		7

continued overleaf:-

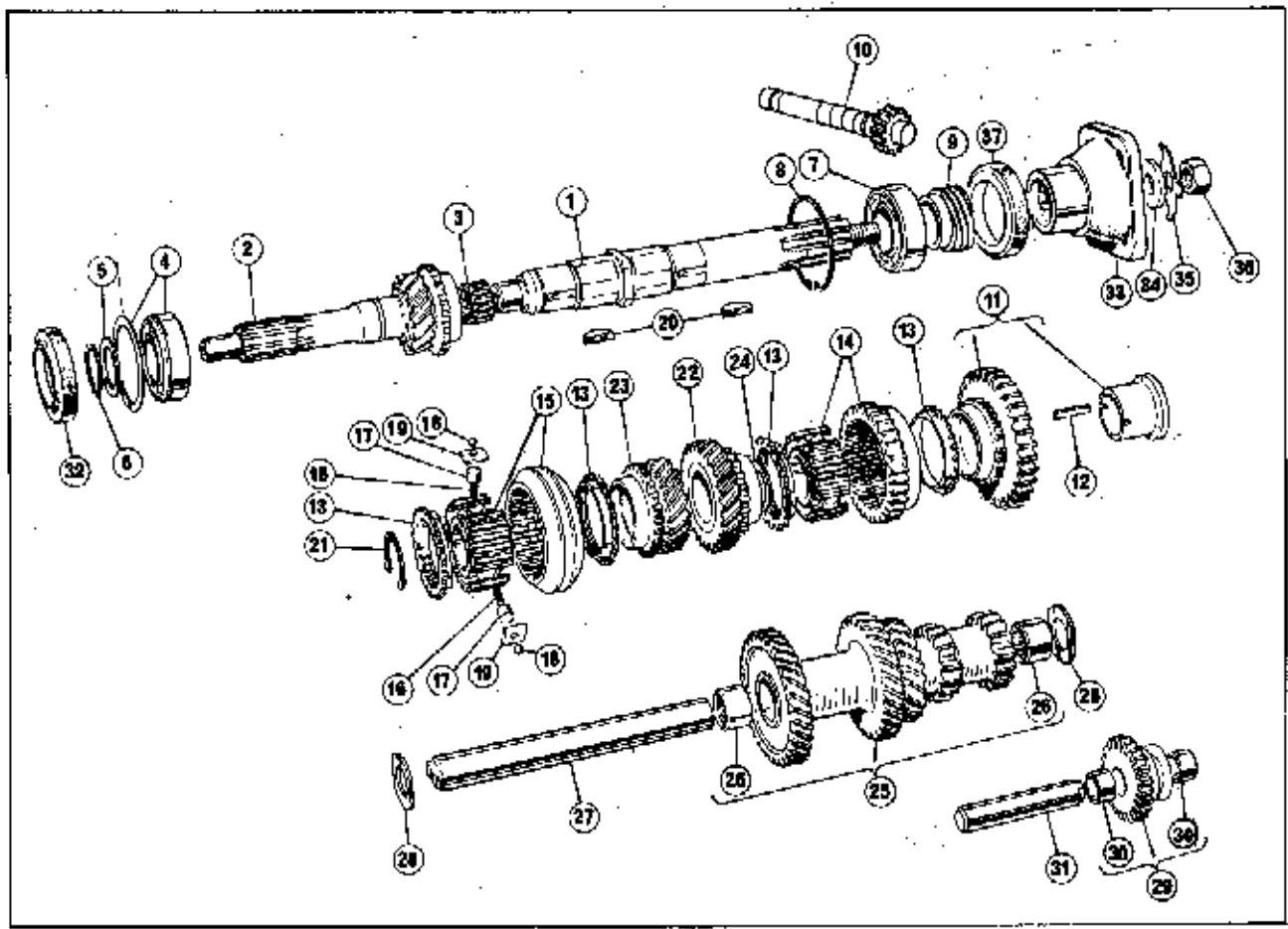


Gearbox — Exterior and selectors



PART NO.	DESCRIPTION	ITEM	REMARKS	QTY.
GEARBOX - EXTERIOR and SELECTORS continued:-				
12912	Top Cover	21	1
6179	Gasket, Top Cover to Case	22	1
51462B	Set Screw, Top Cover to Case.....	23	8
51201B	Lockwasher, Top Cover to Case.....	24	8
92869	Rear Cover Assy.	25	1
6217	Oil Seal	26	1
27610	Gasket, Rear Cover to Case.....	27	1
51463B	Set Screw, Rear Cover to Case	28	7/8" long.	4
50039B	Bolt, Rear Cover to Case	29	1.7/8" long	2
51201B	Lockwasher, Rear Cover to Case	30	6
6320	Bush, SpeedoGear	31	1
6321	Grub Screw, Bush Securing	32	1
3262	Ball, Gear Thrust	33	1
6999	Oil Seal, Speedo Driven Gear	34	1
28746	Gear Lever Assy.	35	1
27612	Knob, Gear Lever	36) Alternatives	1
27613	Knob, Gear Lever	36	1
54621B	Nut, Locking	37	Only on 27613	1
21074	Spring, Gear Lever Tension	38	1
6168	Cap, Spring Retaining	39	1
6169	Seat, Tension Spring	40	1
6170	Clip, Cap Retaining	41	1
92633	Service Assy, Select.Shaft and Lever Pinned 1st/2nd	42	1
201515	Pin, Lever to Shaft.....	43	2
92634	Service Assy, Select.Shaft and Lever Pinned 3rd/4th	44	1
20203	Pin, Lever to Shaft	45	2
92635	Service Assy, Select.Shaft and lever pinned reverse	46	Early Models	1
92920	Service Assy, Selector Shaft and Lever Reverse		For use with Rev Switch Facility.	1
201515	Pin, Lever to Shaft	47	1
21005	Interlock Pin, 1st and 2nd speed	48	1
6333	Fouling Pin	49	1
2231	Ball, Selector Shaft	50	5/16" Diam.	2
3262	Ball, Selector Shaft	51	1/4" Diam.	3
24098	Spring, Selector Shafts	52	3
21759	Bracket, Gear Box Mounting	53	1
51482B	Set Screw, Gear Box Mounting to Frame	54	3
51002B	Nut, Gear Box Mounting to Frame	55	1
51352B	Lockwasher, G/Box Mounting and Earth lead to Frame.	56	1
51202B	Lockwasher, G/Box Mounting to Frame	57	2
21751	Mounting Rubber	58	2
50683B	Nut, Mounting Rubber to G/Box and Support Bracket..	59	4
51203B	Lockwasher, Mtg. Rubber to G/Box and Support Brkt..	60	4
90536	Set Gaskets and Seals	1
6179	Gasket, Top Cover	1
6180	Gasket, Front Cover	1
27610	Gasket, Rear Cover	1
51328	Gasket, Drain and Filler	2
21001	Tab Washer, Coupling	1
13408	Oil Seal, Front Cover	1
6217	Oil Seal, Rear Cover	1

Gearbox – Interior



PART NO.	DESCRIPTION	ITEM	REMARKS	QTY.
GEAR BOX - INTERIOR				
20116	Mainshaft	1	1
20117	Gear, Primary	2	1
20118	Bearing, Needle Roller	3	1
6177	Bearing, Front with Circlip	4	1
6193	Spacer	5	1
6194	Circlip, External	6	1
6178	Bearing, Rear	7	1
6199	Circlip, Rear Bearing to Cover	8	1
11363	Speedo Gear, Driving	9	1
26596	Assy. Gear, Speedo Driven	10	10 Tooth	1
90608	Gear and Bush Assy, 1st. Speed	11	1
12917	Key, 1st Speed Bush	12	1
20122	Baulk Ring	13	4
92203	Synchro Assy, 1st and 2nd	14	1
92204	Synchro Assy, 3rd and Top	15	1
20123	Spring	16	6
22031	Plunger	17	6
20125	Ball	18	6
12948	Thrust Block	19	6
19404	Woodruffe Key, Synchro Body	20	2
20135	Circlip, Synchro Body	21	1
20130	Gear, 2nd Speed	22	1
20132	Gear, 3rd Speed	23	1
20128	Thrust Washer, 2nd Speed Gear	24	1
20136	Laygear	25	1
20138	Bearing, Needle Roller	26	1
20139	Layshaft	27	1
20140	Thrust Washer, Layshaft	28	2
20142	Reverse Idler	29	1
23297	Bush	30	1

continued overleaf 1-

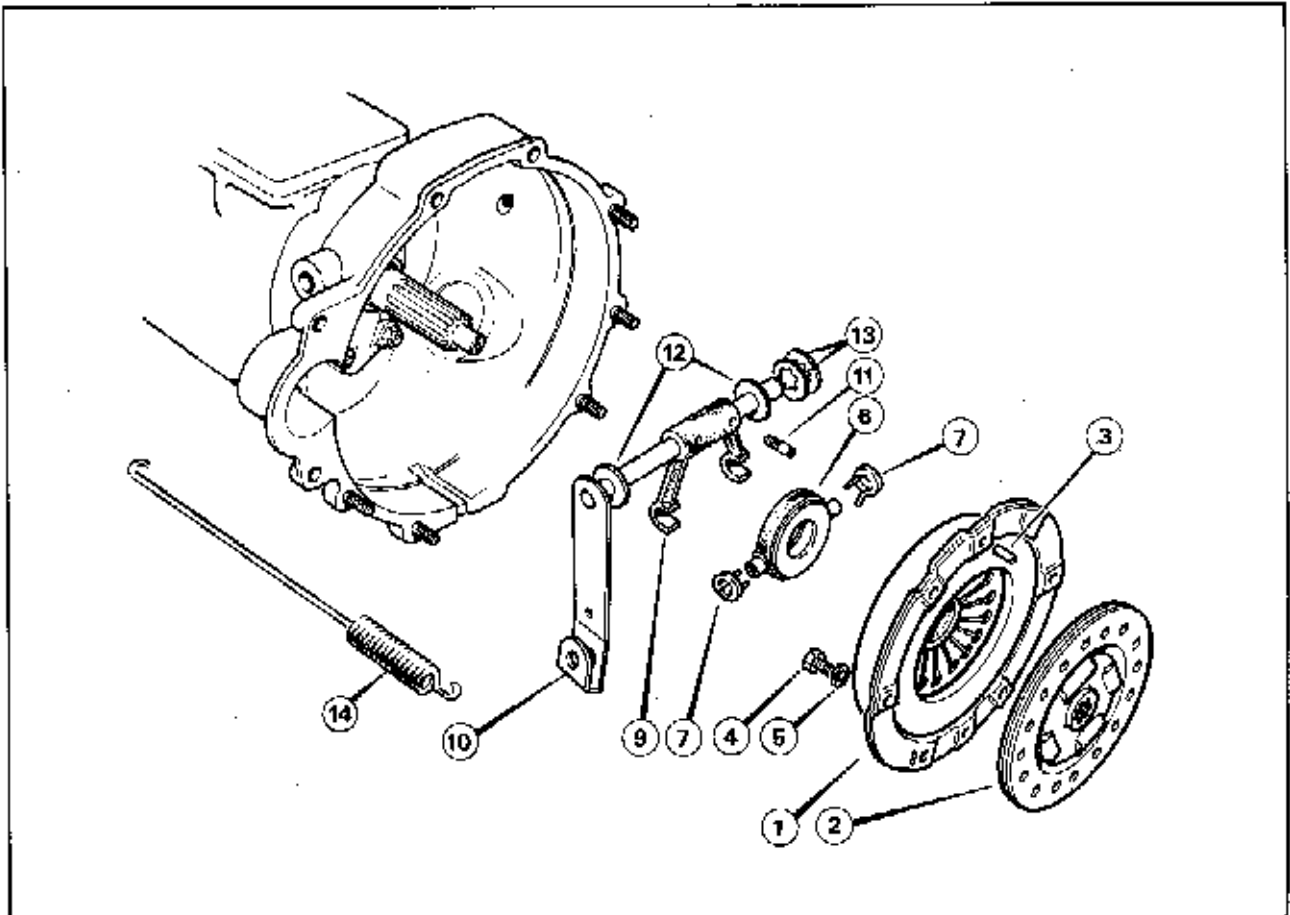


Gearbox – Interior



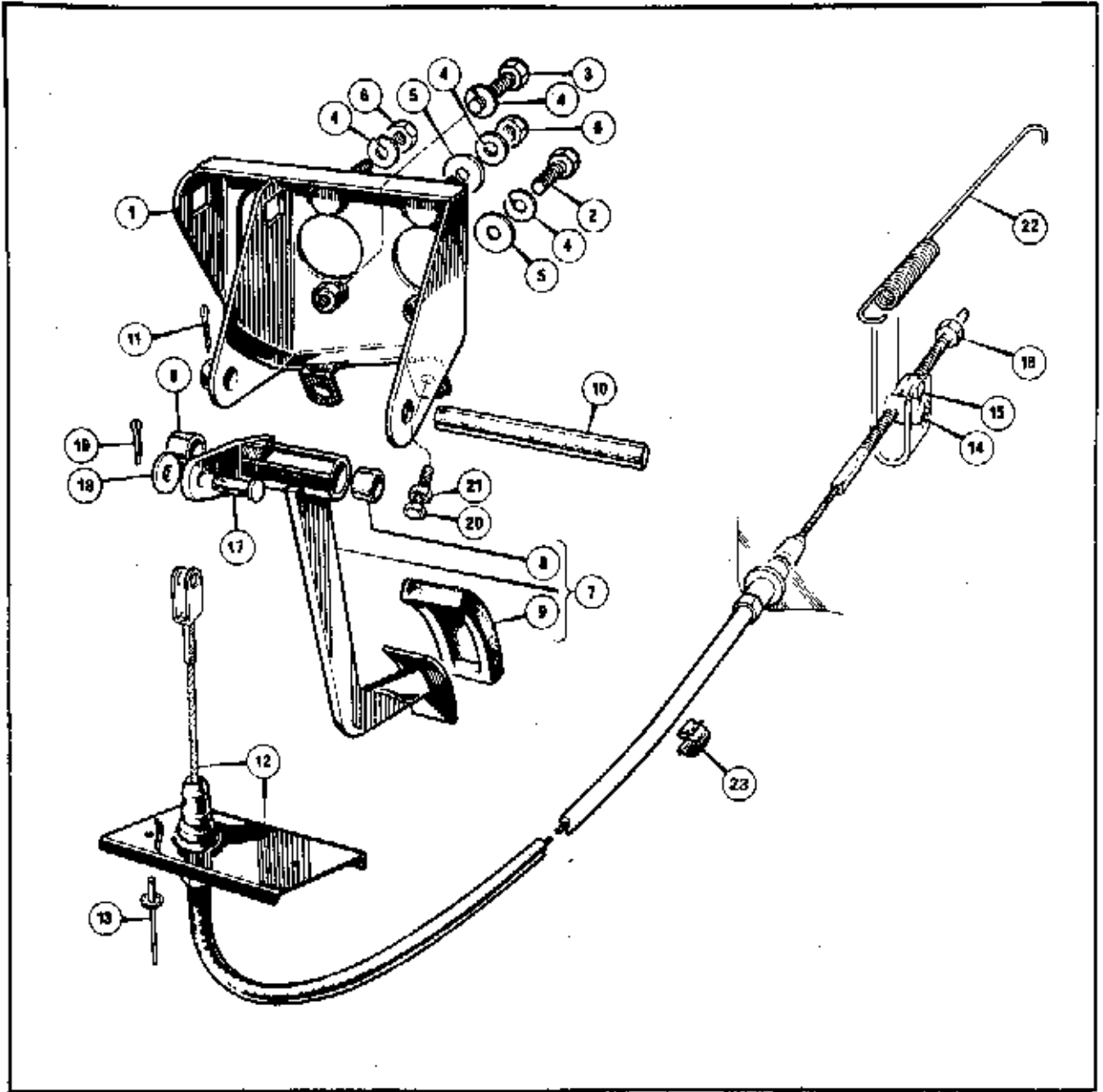
PART NO.	DESCRIPTION	ITEM	REMARKS	QTY.
GEARBOX - INTERIOR continued:-				
20145	Shaft, Reverse Idler	31	1
13408	Oil Seal, Mainshaft Front	32	1
24349	Coupling Flange	33	1
21002	Washer, Coupling Retaining	34	1
21001	Tab Washer, Coupling Retaining	35	1
506858	Nut, Coupling Retaining	36	1
6217	Oil Seal, Coupling Flange	37	1

Clutch – Mechanism



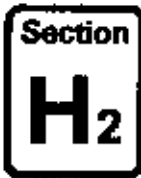
PART NO.	DESCRIPTION	ITEM	REMARKS	QTY.
CLUTCH MECHANISM				
11863	Clutch Assy.	1	1
11864	Driven Plate	2	1
6152	Dowel, Clutch Locating	3	1
51481B	Set Screw, Clutch to Flywheel	4	6
51202B	Lockwasher, Clutch to Flywheel.....	5	6
11865	Thrust Pad	6	1
11866	Retaining Clips, Thrust Pad	7	2
90856	Lever, Tube and Fork Assembly	8	1
	Fork, Clutch Operating	9	Not Serviced	1
	Lever and Tube	10	Not Serviced	1
8785	Pin, Fork to Tube	11	2
51137B	Washer	12	2
22075	Circlip	13	2
23912	Spring, Lever Return	14	1

Clutch - Pedal



PART NO.	DESCRIPTION	ITEM	REMARKS	QTY.
CLUTCH - PEDAL				
26349	Bracket, Pedal Mounting	1	1
51482B	Set Screw, Mounting Bracket to Body	2	1
51495B	Set Screw, Bracket and M.Cylinder to Body	3	1
51202B	Lockwasher, Bracket and M. Cylinder to Body	4	4
51132B	Washer, Mounting Bracket to Body	5	2
50602B	Nut, Bracket and M. Cylinder to Body	6	2
27496	Assy., Clutch Pedal	7	1
8123	Bush	8	2
8130	Cover	9	1
21741	Pivot Pin	10	1
53887	Split Pin, Pivot Pin Securing	11	1

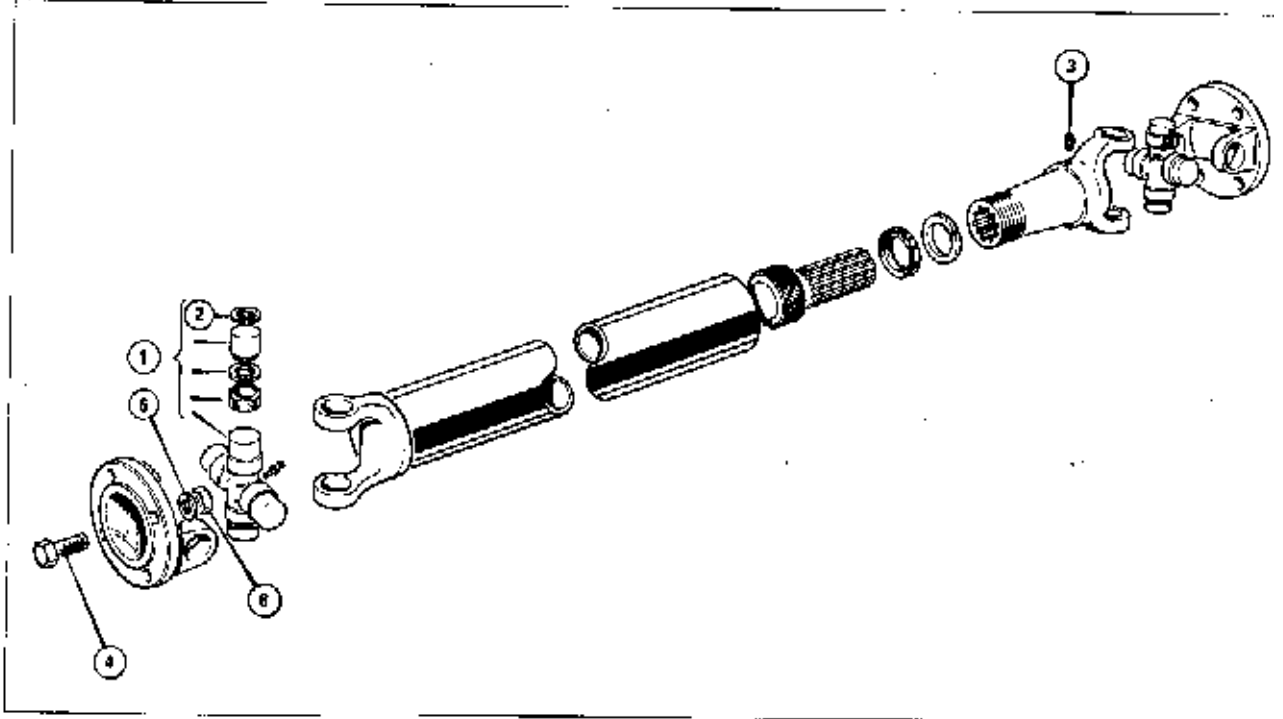
continued overleaf:-



Clutch - Pedal

PART NO.	DESCRIPTION	ITEM	REMARKS	QTY.
CLUTCH PEDAL continued:-				
32190	Assy., Clutch Cable with Bracket.....	12	1
54170M	Rivet, Abutment Bracket to Body	13	2
57441	Sealant, Bracket to Body	NR
21928	Trunnion, Cable Adjuster	14	1
23820	Adjuster, Clutch Pedal	15	1
50703B	Locknut, Adjuster	16	1
54817B	Clevis Pin, Cable to Pedal	17	1
51131B	Washer, Cable to Pedal	18	1
53809B	Split Pin, Cable to Pedal	19	1
51442B	Set Screw, Pedal Adjusting	20	1
50703B	Locknut, Pedal Adjusting	21	1
23912	Spring, Pedal Return	22	1
28012	Clip, Cable to Front X Member	23	1

Drive shaft

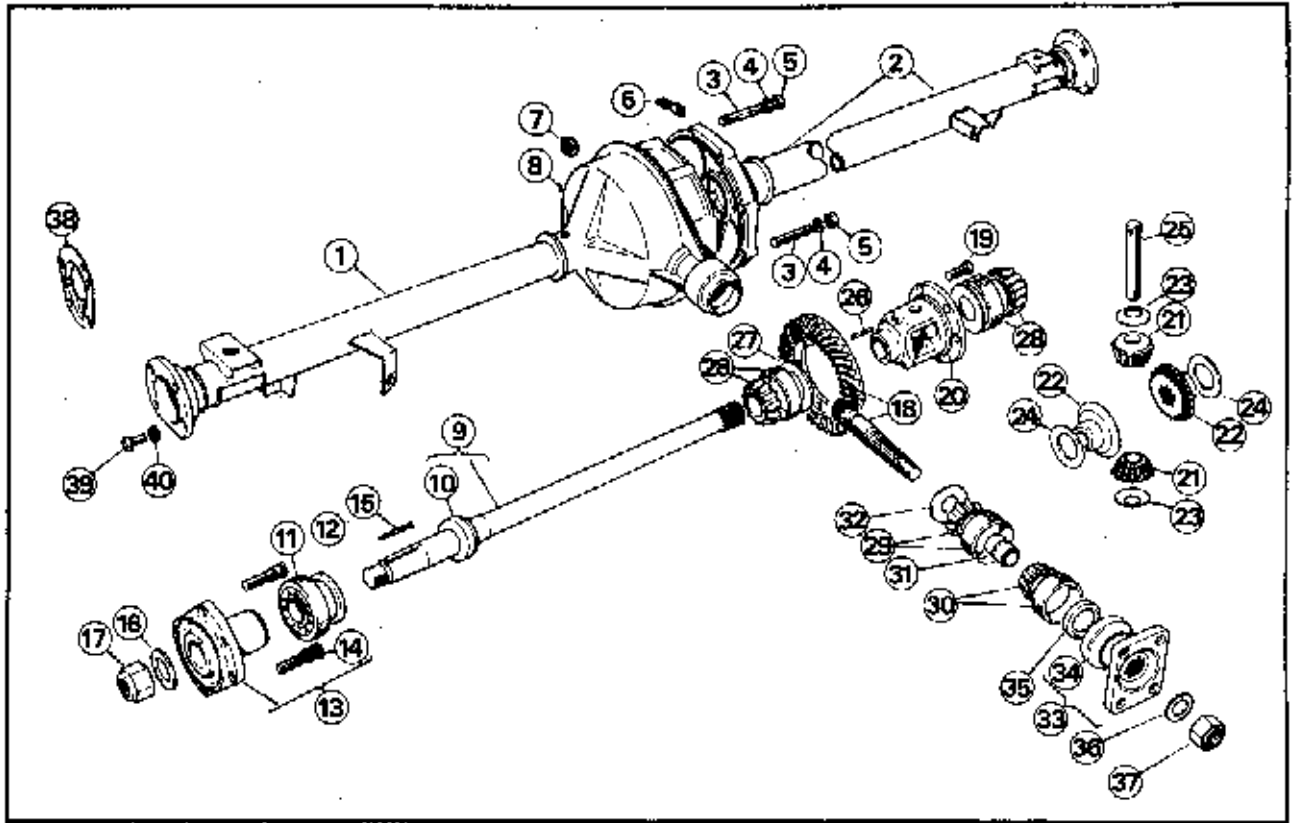


PART NO.	DESCRIPTION	ITEM	REMARKS	QTY
DRIVESHAFT				
21718	Assy. Driveshaft			1
12874	Journal Kit	1		2
8104	Circlip	2		8
8103	Lubricator	3		1
24299	Bolt, Driveshaft to Gear Box and Rear Axle,.....	4		8
51202B	Nut	6		8
50682B	Lockwasher	5		8



Rear axle

Section
K₁



PART NO.	DESCRIPTION	ITEM	REMARKS	QTY.
REAR AXLE				
28636	Assy. Rear Axle with Brake Mechanism and Drums		3.23 : 1 Ratio	1
27692	Assy. Axle Tube R.H.	1		1
27693	Assy. Axle Tube L.H.	2		1
20485	Stud, Axle Tube	3		8
51202B	Washer, Axle Case	4		8
50682B	Nut, Axle Case	5		8
21242	Clip, Bundy Pipe	6		1
1297	Filler Plug	7		1
53807B	Split Pin, Breather Hole	8		1
91040	Assy. Axle Shaft with Collar	9		2
24986	Collar	10		2
24170	Bearing, Axle End	11		2
25954	Oil Seal, Axle End	12		2
25609	Assy. Hub with Studs	13		2
20191	Stud,	14		8
25604	Collar, Brake Drum		Not Illustrated	2
5612	Key, Hub Locating	15		2
4350	Washer, Hub Securing	16		2
50846B	Nut, Hub Securing	17		2
25195	Assy. Differential		3.23 : 1 Ratio	1
24946	Crown Wheel and Pinion	18	42/13 Tooth	1
13308	Bolt, Crown Wheel Securing	19		6
25609	Differential Case	20		1
1940	Differential Pinion	21		2
5973	Differential Wheel	22		2
1943	Thrust Washer, Pinion	23		2
2611	Thrust Washer, Wheel	24		2
7056	Differential Pin	25		1
7021	Locking Pin	26		1

Continued overleaf

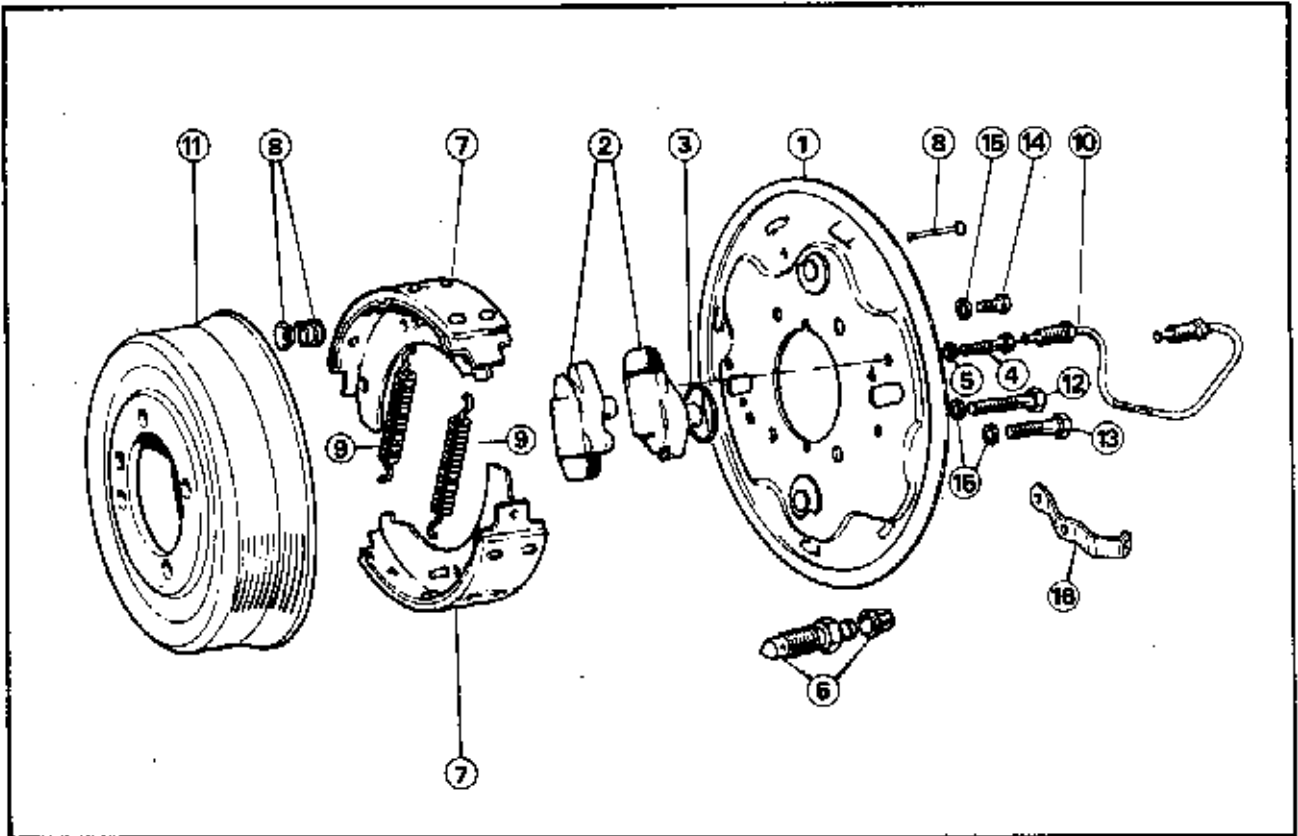


Rear axle



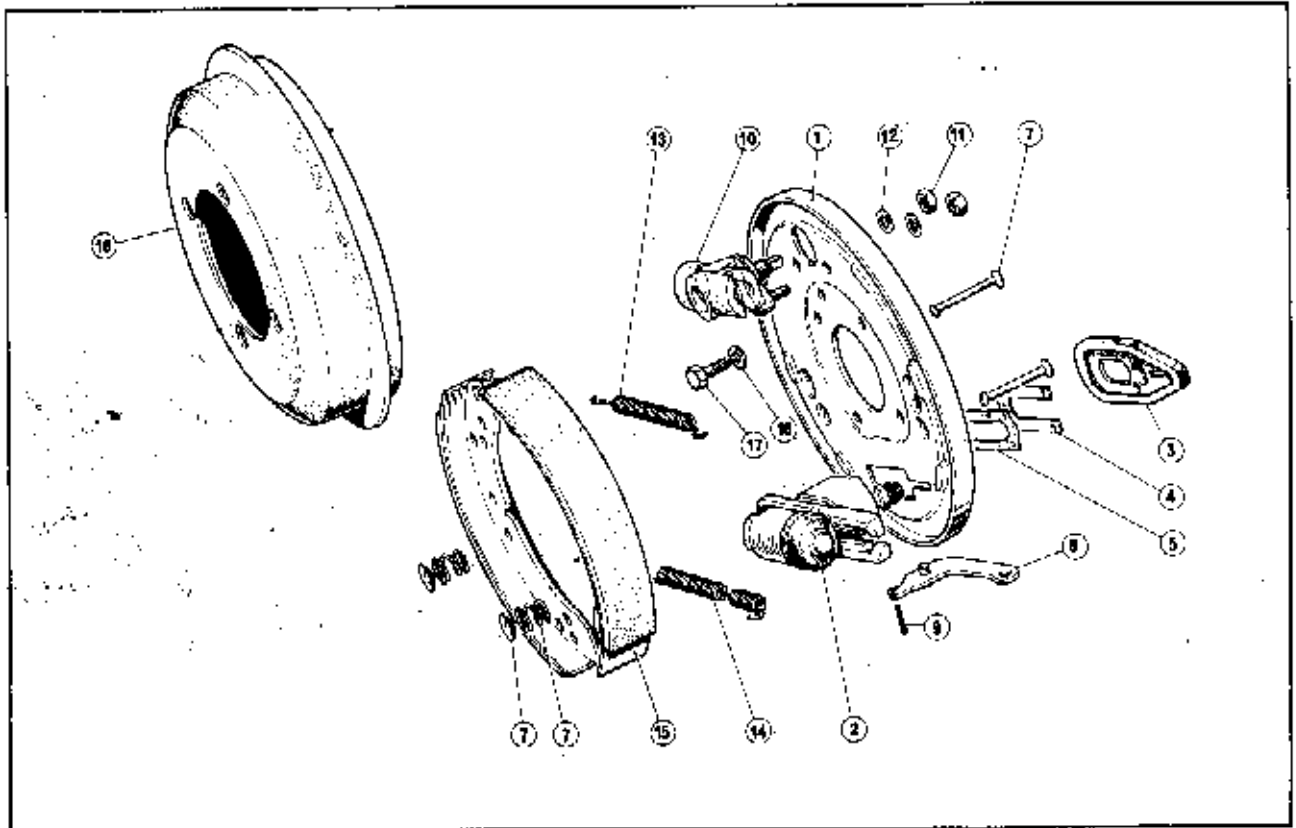
PART NO.	DESCRIPTION	ITEM	REMARKS	QTY.
REAR AXLE continued:-				
2282	Shim, .003"	27	AR
2283	Shim, .005"	AR
2284	Shim, .010"	AR
20195	Taper Bearing, Differential	28	2
200209	Bearing, Pinion Head	29	1
6411	Bearing, Pinion Tail	30	1
20198	Collapsible Spacer	31	1
25560	Spacer, Pinion Head 0.085	32	A
25561	Spacer, Pinion Head 0.086	AR
25562	Spacer, Pinion Head 0.087	AR
25563	Spacer, Pinion Head 0.088	AR
25564	Spacer, Pinion Head 0.089	AR
25565	Spacer, Pinion Head 0.090	AR
25566	Spacer, Pinion Head 0.091	AR
25567	Spacer, Pinion Head 0.092	AR
25568	Spacer, Pinion Head 0.093	AR
25569	Spacer, Pinion Head 0.094	AR
25570	Spacer, Pinion Head 0.095	AR
25571	Spacer, Pinion Head 0.096	AR
25572	Spacer, Pinion Head 0.097	AR
25573	Spacer, Pinion Head 0.098	AR
25574	Spacer, Pinion Head 0.099	AR
25575	Spacer, Pinion Head 0.100	AR
25576	Spacer, Pinion Head 0.101	AR
25577	Spacer, Pinion Head 0.102	AR
25578	Spacer, Pinion Head 0.103	AR
25579	Spacer, Pinion Head 0.104	AR
25580	Spacer, Pinion Head 0.105	AR
25581	Spacer, Pinion Head 0.106	AR
25582	Spacer, Pinion Head 0.107	AR
25583	Spacer, Pinion Head 0.108	AR
25584	Spacer, Pinion Head 0.109	AR
25585	Spacer, Pinion Head 0.110	AR
25586	Spacer, Pinion Head 0.111	AR
25587	Spacer, Pinion Head 0.112	AR
25588	Spacer, Pinion Head 0.113	AR
25589	Spacer, Pinion Head 0.114	AR
29221	Spacer, Pinion Head 0.115	AR
29222	Spacer, Pinion Head 0.116	AR
29223	Spacer, Pinion Head 0.117	AR
29224	Spacer, Pinion Head 0.118	AR
29225	Spacer, Pinion Head 0.119	AR
29226	Spacer, Pinion Head 0.120	AR
24266	Coupling with Shield	33	1
24216	Shield	34	1
25955	Oil Seal, Pinion	35	1
4350	Washer, Coupling Securing	36	1
50866B	Nut, Coupling Securing	37	1
24386	Retaining Plate, Oil Seal	38	2
28637	Rear Brake Assy. R.H.		See	1
28638	Rear Brake Assy. L.H.		Section 1.2	1
51480D	Set Screw, Backplate to Axle	39	8
51202B	Lockwasher, Backplate to Axle	40	8
25606	Brake Drum		See Section 1.2	2

Brakes — Front



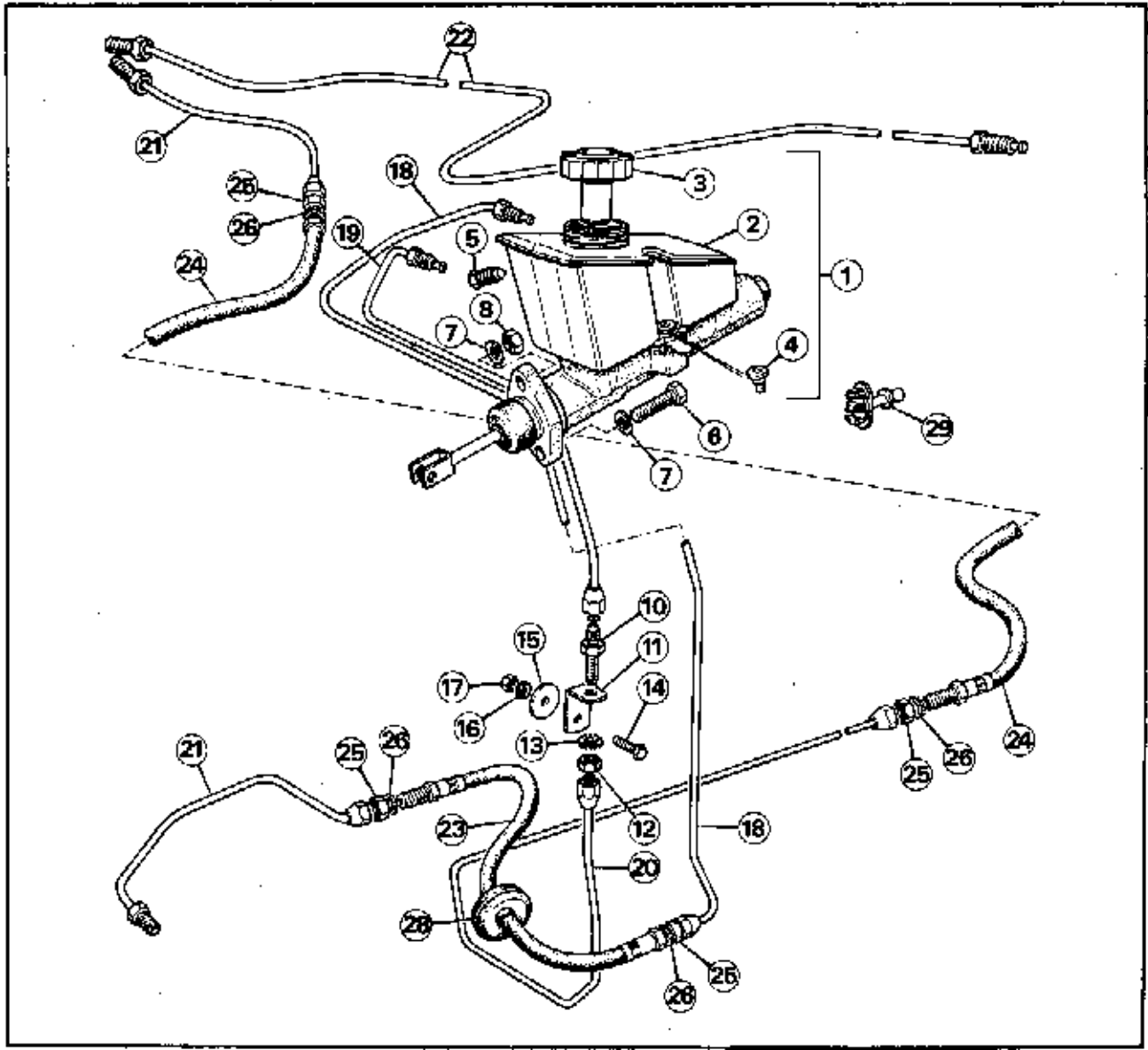
PART NO.	DESCRIPTION	ITEM	REMARKS	QTY.
BRAKE - FRONT				
27510	Asay, Front Brake			1
90242	Backplate	1		1
92218	Wheel Cylinder	2		2
9421	Gasket Cyl. to Backplate	3		2
9422	Bolt Cyl. to Backplate	4		4
20978	Lockwasher	5		4
17900	Bleed Screw with Cap	6		1
90244	Set Front Brake Shoes	7		1
7666	Kit Steady Post	8		1
90245	Pull Off Spring	9		2
90243	Bridge Pipe	10		1
25606	Brake Drum	11		1
50046B	Bolt, Backplate Securing	12		1
50044B	Bolt, Backplate Securing	13		1
51481B	Set Screw, Backplate Securing	14		2
51202B	Lockwasher	15		4
28957	Bracket, Front Hose	16		1

Brakes – Rear



PART NO.	DESCRIPTION	ITEM	REMARKS	QTY.
BRAKES REAR				
28637	Assy. Hydraulic Brake R.H.			1
28638	Assy. Hydraulic Brake L.H.			1
18048	Backplate R.H.	1		1
18047	Backplate L.H.			1
17865	Wheel Cylinder	2		2
90414	Dust Cover, Wheel Cylinder	3		2
7659	Retaining Plate	4		2
90415	Spring Plate	5		2
17900	Bleed Screw W/Dust Cover	6		2
7666	Service Kit Steady Port	7		2
92205	Lever, Hand Brake Actuating	8		2
90416	Split Pin	9		2
92206	Adjuster	10		2
7723	Nut, Adjuster to Backplate	11		4
20878	Washer, Adjuster to Backplate	12		4
5772	Return Spring, Adjuster	13		2
5771	Return Spring, Wheel Cylinder	14		2
92208	Brake Shoe Set	15	One Wheel Set	2
25606	Brake Drum	16		2
51480B	Set Screw, Backplate Securing	17		8
51202B	Lockwasher, Backplate Securing	18		8

Brakes – Hydraulic tandem



PART NO.	DESCRIPTION	ITEM	REMARKS	QTY.
BRAKES - HYDRAULIC TANDM				
28753	Assy. Tandem Master Cylinder	1	Lockheed	1
	Repair Kit	1	1
	Reservoir	2	1
	Cap, Reservoir	3	1
	Screw, Reservoir to Cylinder	4	2
	Plug	5	1
51485B	Setscrew, Cylinder to Bracket	6	1
51202B	Washer, Cylinder to Bracket	7	2
50682B	Nut, Cylinder to Bracket	8	1
20304	Connector, Bundy	10	1

continued overleaf

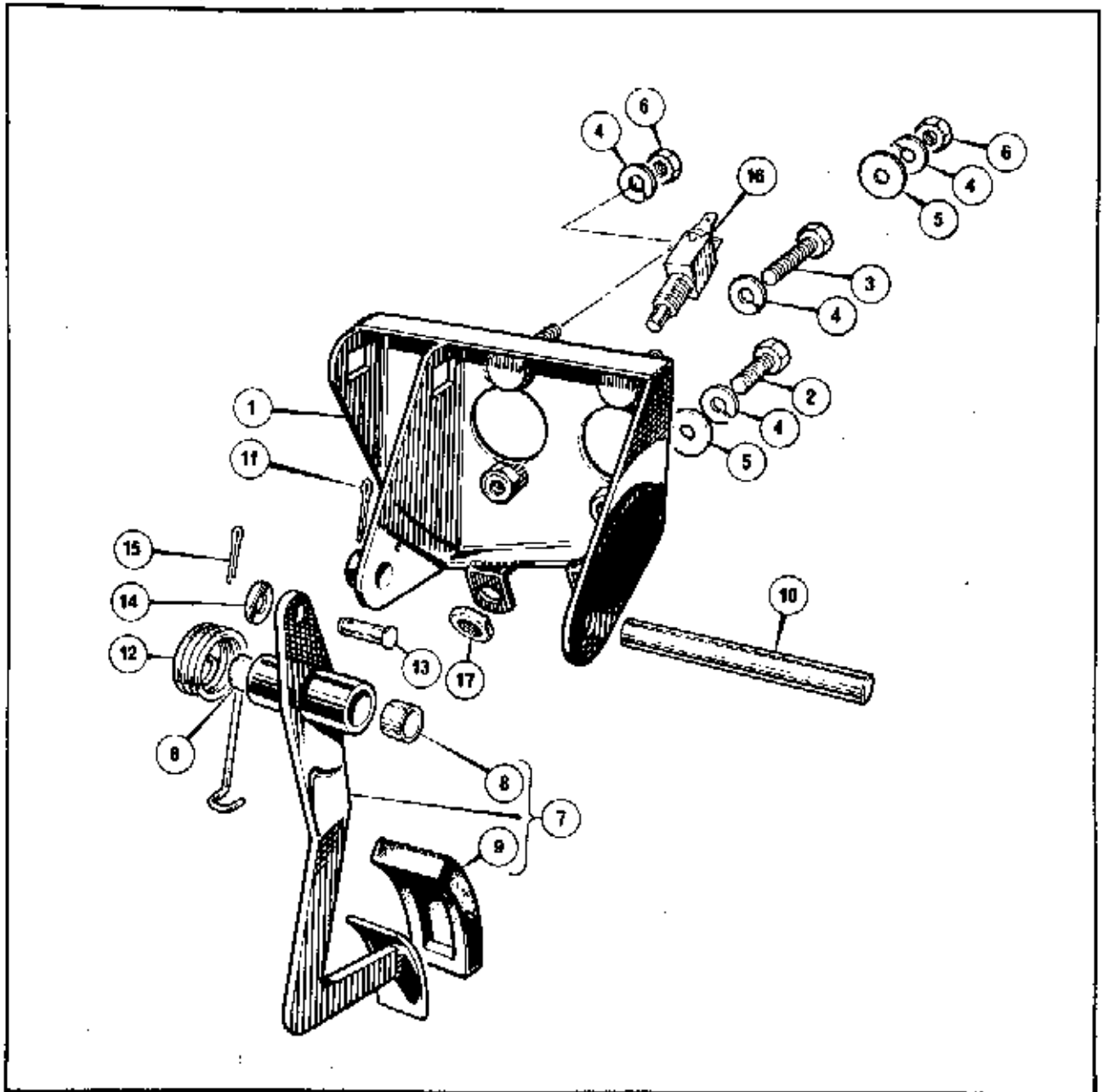


Brakes — Hydraulic tandem



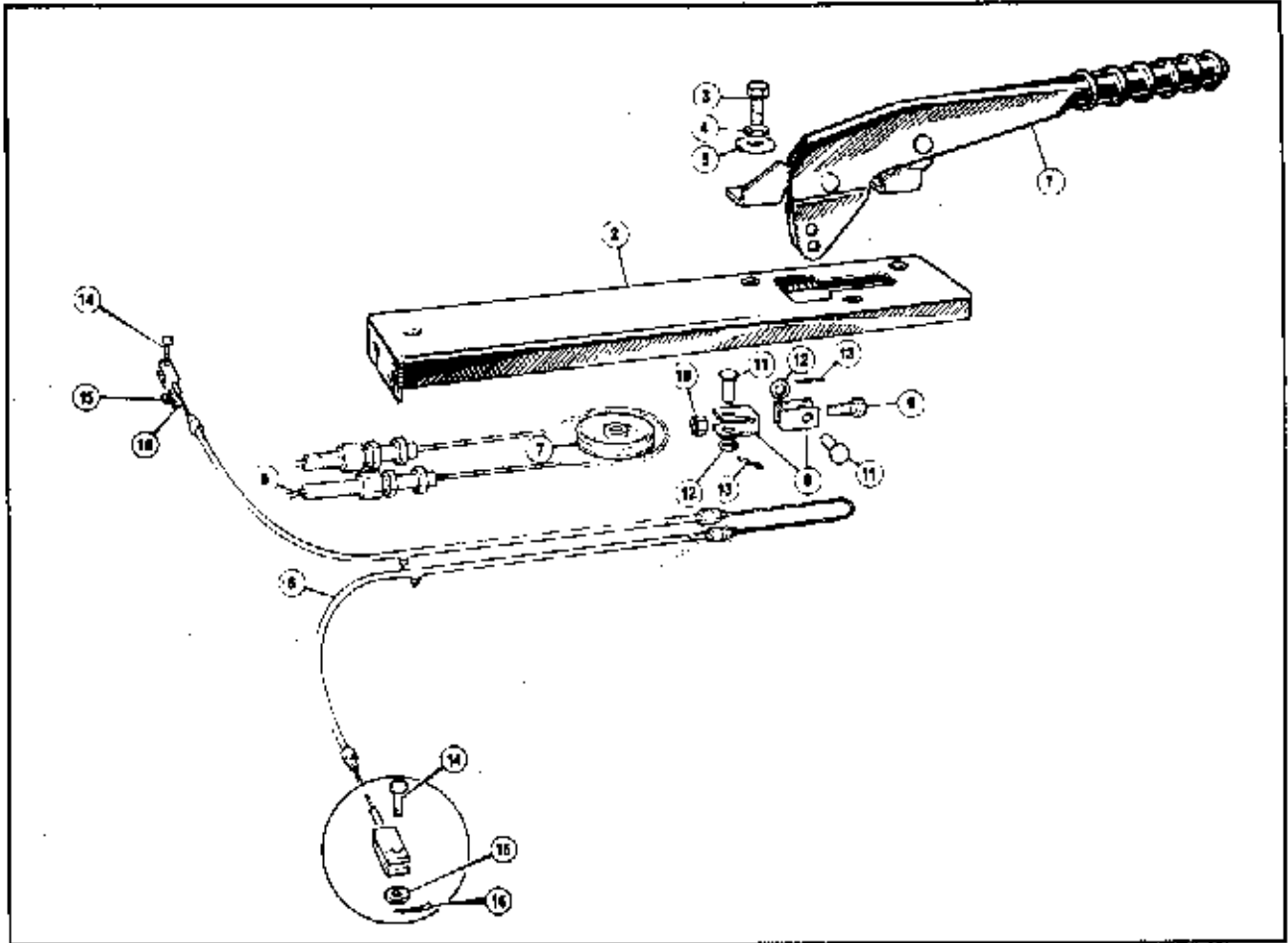
PART NO.	DESCRIPTION	ITEM	REMARKS	QTY.
BRAKES - HYDRAULIC TANDEM continued:-				
28980	Bracket, Connector Mounting	11	1
20302	Locknut, Connector to Bracket	12) Alternative	1
20303	Lockwasher, Connector to Bracket	13) in Sets	1
50705B	Locknut, Connector to Bracket	13) Alternative	1
51253B	Lockwasher, Connector to Bracket.....	13) in Sets	1
51442B	Setscrew, Bracket to Body	14	1
51131B	Washer, Bracket to Body	15	1
51201B	Spring Washer, Bracket to Body	16	1
50681	Nut, Bracket to Body	17	1
28974	Bundy, Master Cylinder to Front Flex	18	28" Long	1
28975	Bundy, Master Cylinder to Connector	19	15" Long	1
28976	Bundy, Connector to Rear Flex	20	71.5" Long	1
22242	Bundy, Flex Pipe to Brake.....	21	10" Long	2
22243	Bundy, R.H. Rear to L.H. Rear Brake	22	49.5" Long	1
27518	Flexible Hose, Front	23	1
22432	Flexible Hose, Rear	24	1
50705B	Locknut, Flex Hose Securing	25	4
51253B	Lockwasher, Flex Hose Securing	26	4
1932	Gasket .080	27	1
18750	Grommet	28	1
13374	Clip Double, Bundy to Body	29	3

Brakes — Pedal mechanism



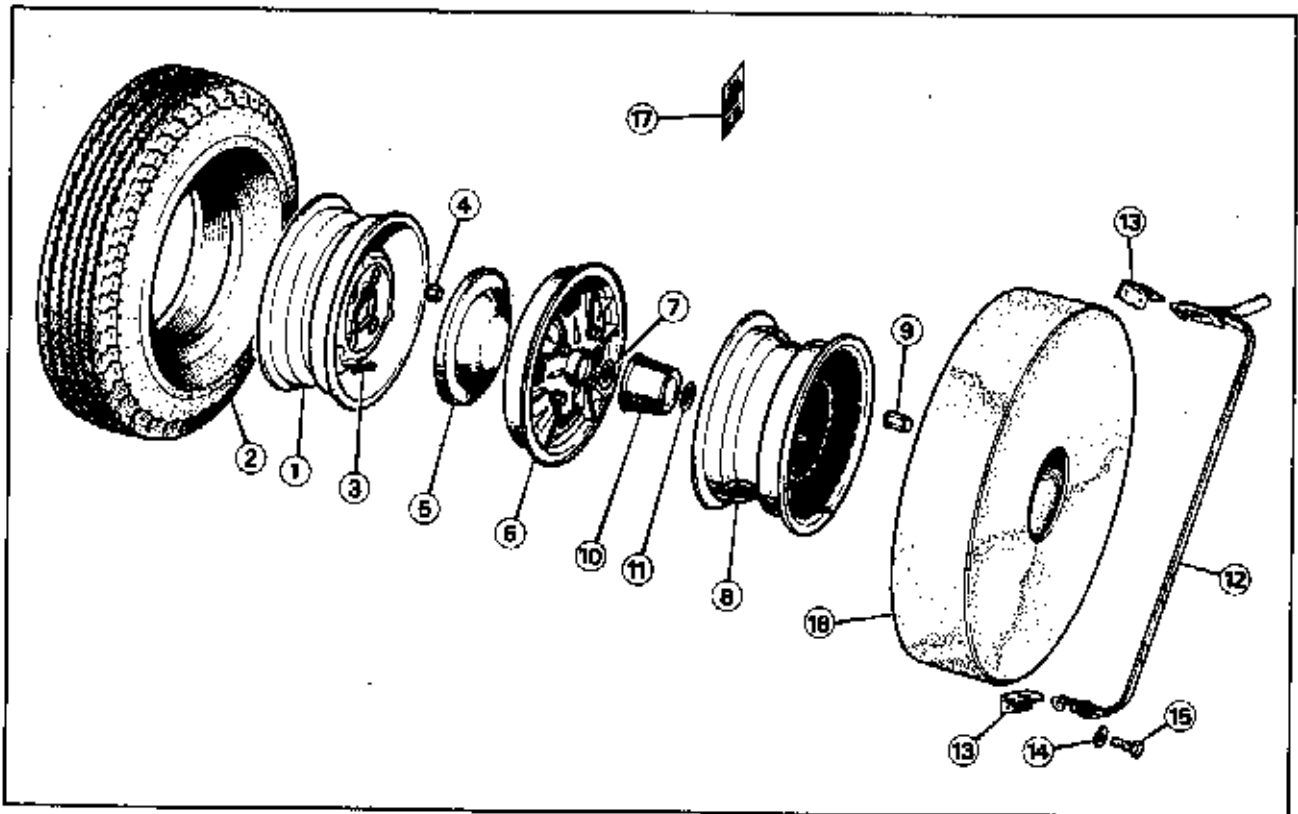
PART NO.	DESCRIPTION	ITEM	REMARKS	QTY.
BRAKES - PEDAL MECHANISM				
26349	Bracket, Pedal Mounting	1	1
51482B	Setscrew, Bracket to Body	2	1
51485B	Setscrew, Master Cylinder and Bracket to Body ...	3	1
51202B	Lockwasher, Master Cylinder and Bracket to Body ...	4	4
51132B	Washer, Bracket to Body	5	2
50682B	Nut, Master Cylinder and Bracket to Body	6	2
27493	Assy. Brake Pedal	7	1
8123	Bush	8	2
8130	Cover	9	1
21741	Pivot Pin, Brake Pedal	10	1
53887	Split Pin, Pivot Pin Securing	11	1
21271	Spring, Brake Pedal Return	12	1
54844B	Clevis Pin, Pedal to Master Cylinder	13	1
51132B	Washer, Pedal to Master Cylinder	14	1
53843B	Split Pin, Pedal to Master Cylinder	15	1
17302	Switch, Stop Light	16	1
17381	Locknut, Switch Securing	17	1

Brakes – Handbrake



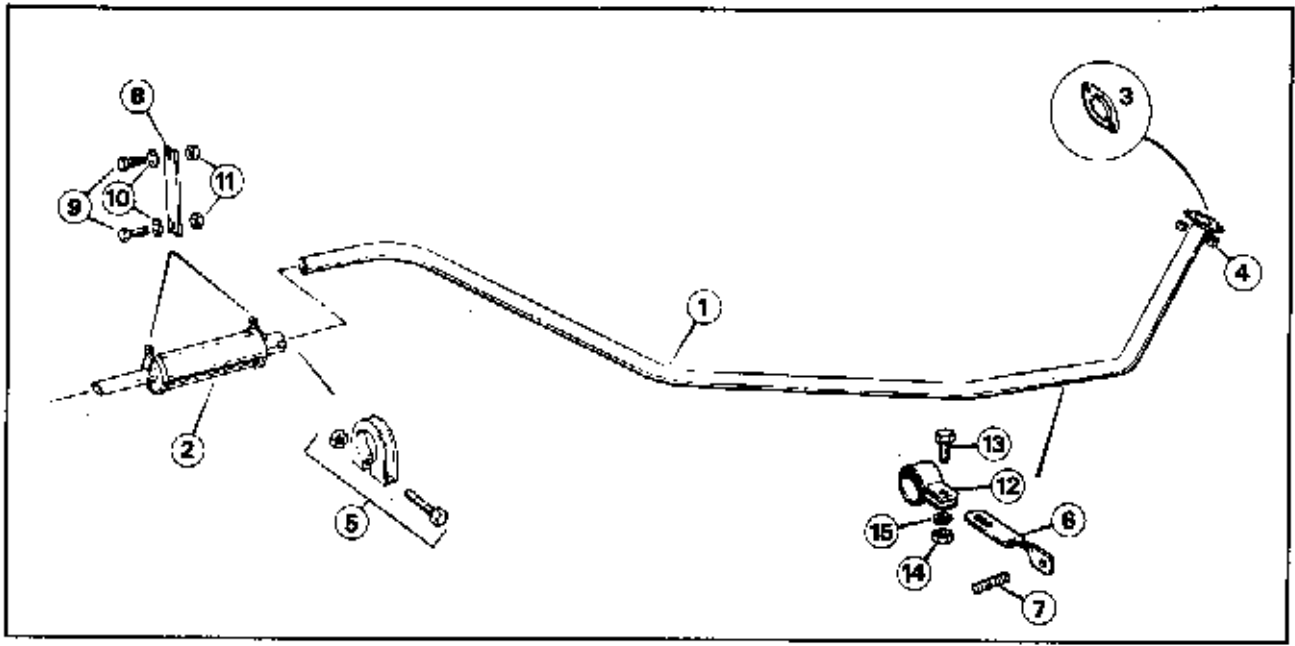
PART NO.	DESCRIPTION	ITEM	REMARKS	QTY
BRAKES - HANDBRAKE				
22186	Handbrake Lever	1		1
21277	Bracket, Hand Brake Lever Mtg.	2		1
51482B	Setscrew, Lever and Brkt. to Body	3		4
51202B	Lockwasher, Lever and Brkt. to Body	4		4
28356	Coach Washer, Lever and Brkt. to Body	5		2
26473	Hand Brake Cable Assy.	6		1
21349	Pulley	7		1
200271	Clevis, Hand Brake Cable	8		2
51440B	Setscrew, Clevis to Clevis	9		1
50681B	Nut, Clevis to Clevis	10		1
54844B	Pin, Clevis to Lever and Pulley	11		2
51132B	Washer, Clevis to Lever and Pulley	12		2
53844	Split Pin, Clevis to Lever and Pulley	13		2
54818B	Pin, Clevis to Brake Lever	14		2
53811	Split Pin, Clevis to Brake Lever	15		2
51131B	Washer, Clevis to Brake Lever	16		2

Wheels and tyres



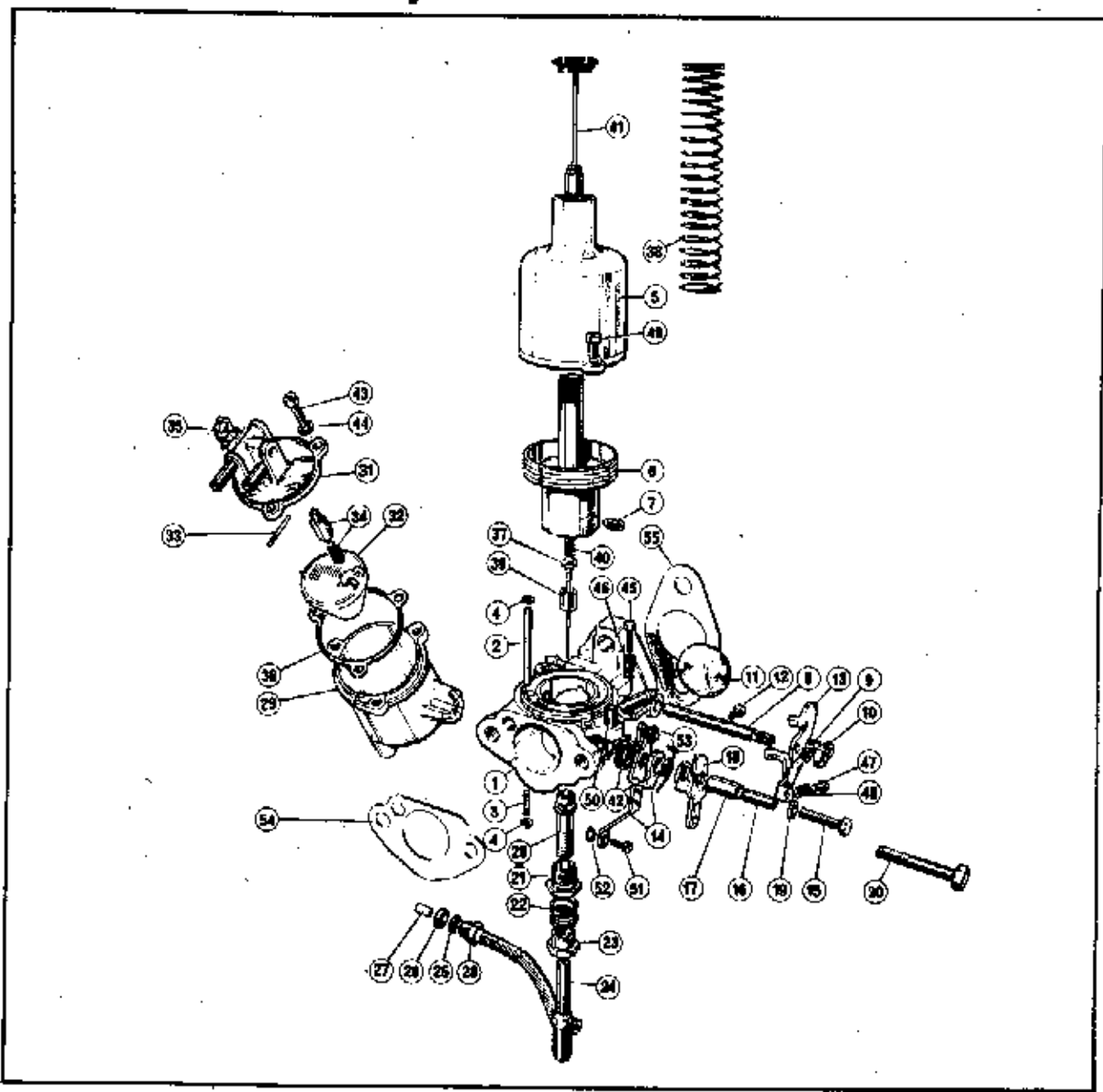
PART NO.	DESCRIPTION	ITEM	REMARKS	QTY.
WHEELS AND TYRES				
20109	Assy. Wheel and Tyre		Steel 520x10	4
20110	Road Wheel Pressed Steel	1	4
20111	Tyre X Ply 520 x 10	2	Not supp'd sep.	4
29324	Valve	3	Not supp'd sep.	4
20379	Wheel Nut	4	12
20566	Hub Cap	5	Standard	2
29323	Wheel Trim	6	G.L.S.	2
29264	Decal	7	2
24841	Assy. Wheel and Tyre		Steel 145 x 10	4
20110	Road Wheel Pressed Steel	4
24842	Tyre Radial Textile 145 x 10		Not Supp'd Sep.	4
29324	Valve		Not Supp'd Sep.	4
20379	Wheelnut	12
20566	Hub Cap		Standard	2
29323	Wheel Trim		G.L.S.	2
29264	Decal		G.L.S.	2
25601	Assy. Wheel and Tyre Rear		Optional Extra	2
24625	Road Wheel Alloy Rear	8	2
24842	Tyre Radial Textile 145 x 10		Not Supp'd Sep.	2
18882	Valve		Not Supp'd Sep.	2
24618	Wheelnut, for Alloy Wheel	9	8
24120	Hub Centre with Decal	10	2
22683	Decal	11	2
24841	Assy. Wheel and Tyre Front and Spare)For use with)Alloy Wheels	2
25485	Strap, Spare Wheel Retaining	12	1
25484	Hook Plate, Retaining Strap	13	1
51200B	Lockwasher, Hook Plate	14	4
52122B	Screw, Hook Plate to Body	15	4
29046	Cover, Spare Wheel Gray	16	G.L.S.	1
22264	Label, Tyre Pressure Self Adhesive	17	1

Exhaust system



PART NO.	DESCRIPTION	ITEM	REMARKS	QTY.
EXHAUST SYSTEM				
21915	Down Pipe Assy.	1		1
21918	Assy. Silencer and Tailpipe	2		1
92826	Fitting Kit, Exhaust System			1
6598	Gasket	3		1
50744	Nut, Downpipe Securing	4		2
9071	Clamp, Silencer to Downpipe	5		1
27970	Steady Strap, Downpipe	6		1
37841	Stud	7		1
18493	Strap, Silencer Support	8		1
51442B	Setscrew, Strap Securing	9		4
28355	Coachwasher	10		4
51001B	Nut, Strap Securing	11		4
25000	Clamp, Downpipe	12		1
51483B	Setscrew, Clamp	13		1
50682B	Nut, Clamp	14		1
51202B	Lockwasher, Clamp	15		1
92803	Downpipe Assy. Stainless Steel		Accessory	1
92804	Silencer and Tailpipe, Stainless Steel		Accessory	1
92826	Fitting Kit, Stainless Steel Exhaust System			1

Fuel system – Carburettor



PART NO.	DESCRIPTION	ITEM	REMARKS	QTY.
FUEL SYSTEM - CARBURETTOR				
27694	Carburettor			1
91122	Body	1		1
91123	Piston Lifting Kit			1
	Lifting Pin	2		1
	Spring	3		1
	Circlip	4		2
91124	Sub Assy. Piston and Chamber			1
	Suction Chamber	5		1
	Piston	6		1
91143	Locking Screw	7		1
91125	Throttle Spindle Kit			1
	Throttle Spindle	8		1
	Lockwasher	9		1
	Nut	10		1

continued overleaf:-

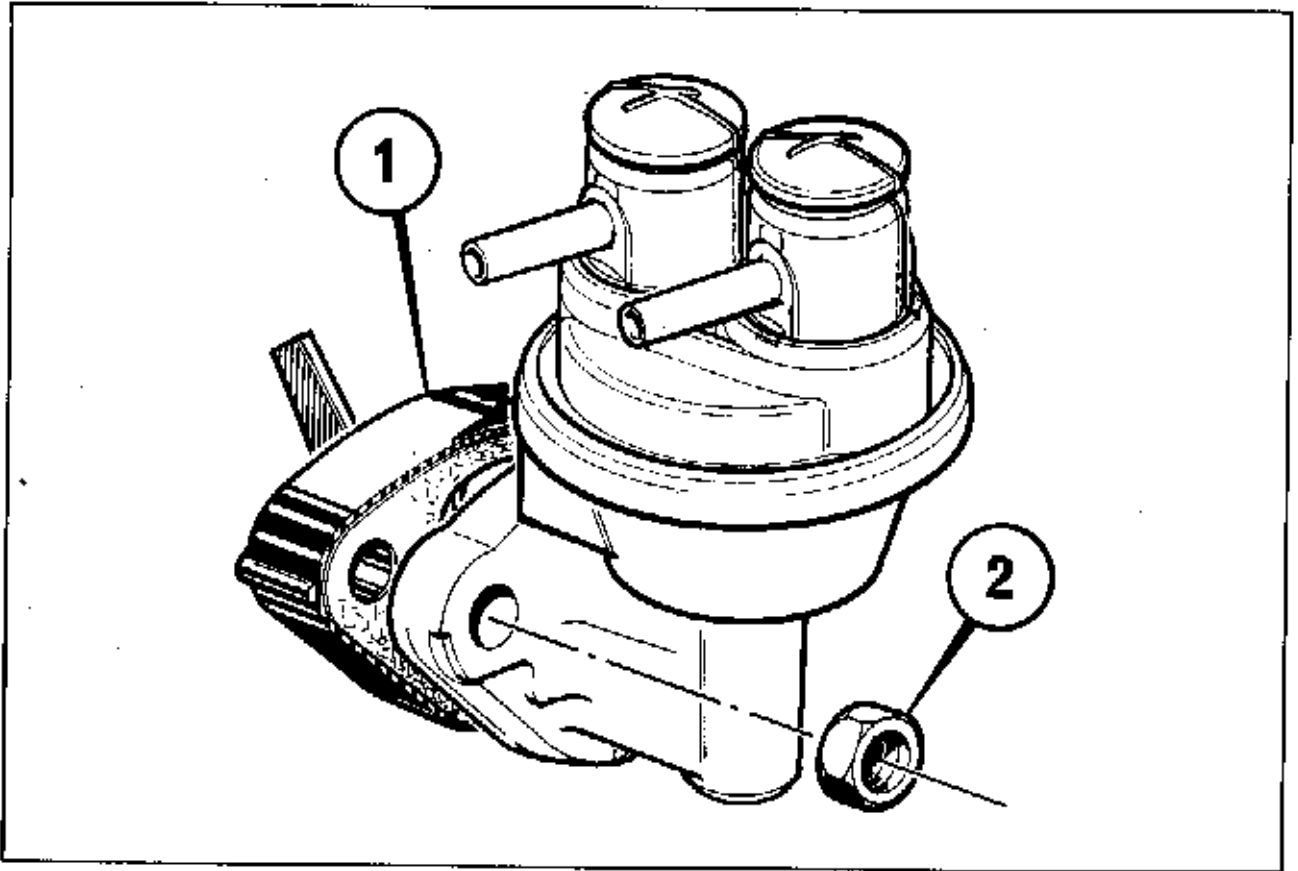


Fuel system — Carburettor



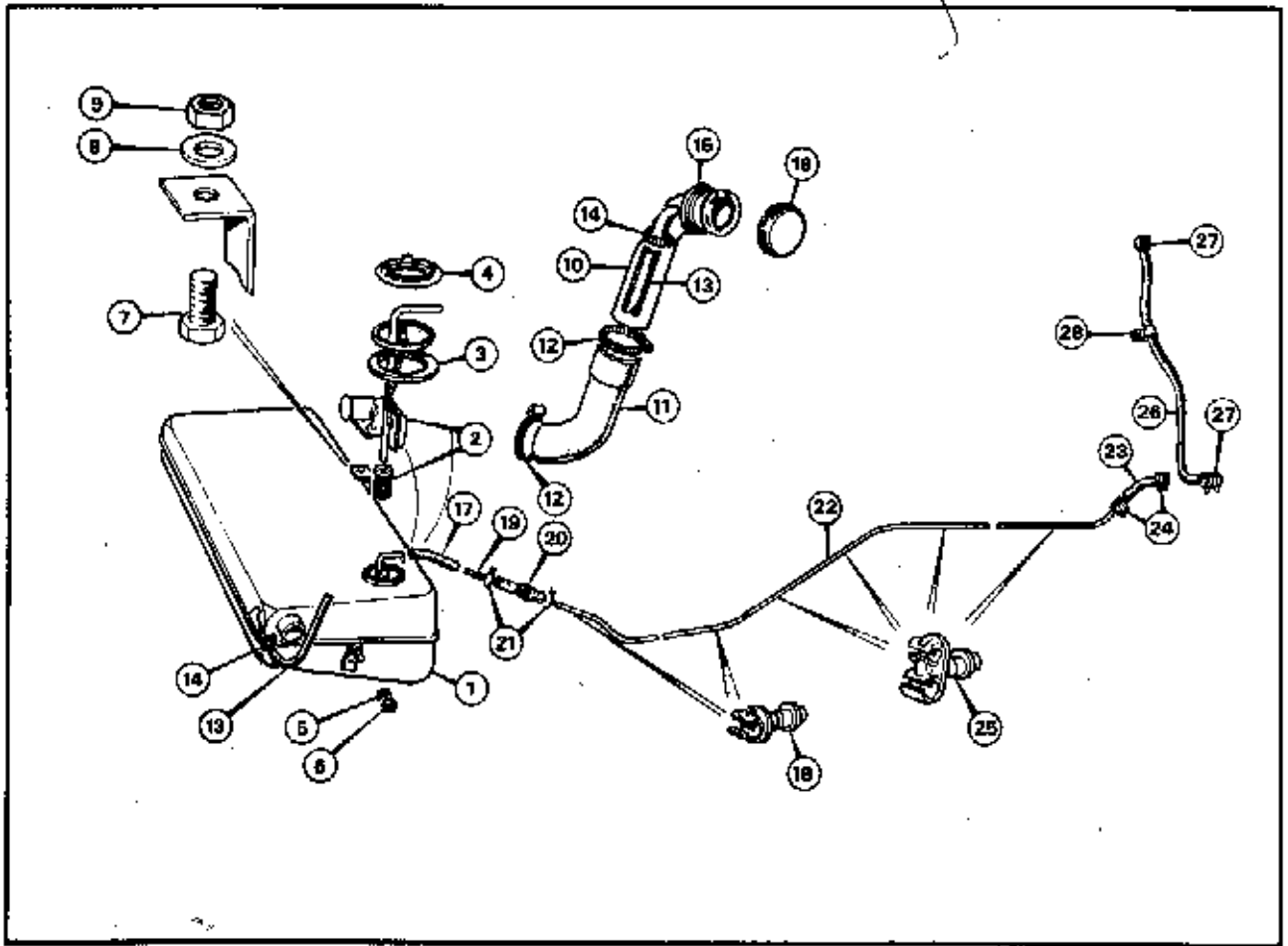
PART NO.	DESCRIPTION	ITEM	REMARKS	QTY.
FUEL SYSTEM - CARBURETTOR continued:-				
91126	Throttle Disc Kit			1
	Disc	11		1
	Screw	12		2
91127	Throttle Lever	13		1
91854	Cam Lever and Link Assy.	14		1
91129	Pivot Bolt Kit			1
	Pivot	15		1
	Tube Inner	16		1
	Tube Outer	17		1
	Cam Lever	18		1
	Distance Washer	19		1
91856	Jet Bearing Kit			1
	Jet Bearing	20		1
	Locknut	21		1
	Spring	22		1
	Adjusting Nut	23		1
91131	Jet Assembly			1
	Jet	24		1
	Washer	25		1
	Gland	26		1
	Ferrule	27		1
	Sleeve Nut	28		1
91132	Float Chamber	29		1
91133	Bolt, Float Chamber Securing	30		1
92264	Lid Assy., Float Chamber	31		1
	Lid			1
	Float	32		1
	Hinge Pin	33		1
	Needle and Seat	34		1
	Baffle Plate	35		1
91135	Needle and Seat Kit			1
	Needle and Seat	34		1
	Gasket	36		1
91136	Float Kit			1
	Float	32		1
	Hinge Pin	33		1
	Gasket	36		1
91857	Jet Needle	37		1
91138	Spring, Piston	38	Red	1
91139	Guide	39		1
91140	Spring	40		1
91141	Damper	41		1
91855	Return Springs Cam and Lost Motion Lever	42		1
91144	Float Chamber Kit			1
	Gland	26		1
	Hinge Pin	33		1
	Baffle Plate	35		1
	Gasket	36		1
	Screw	43		3
	Lockwasher	44		3
91145	Fast Idle/Slow Running Kit			1
	Throttle Adjusting Screw	45		1
	Spring	46		1
	Fast Idle Screw	47		1
	Spring	48		1
91146	Carburettor Body Kit			1
	Lockwasher, Spindle	9		1
	Nut Throttle, Spindle	10		1
	Screw, Throttle Disc	12		1
	Throttle Adj. Screw	45		1
	Spring	46		1
	Fast Idle Screw	47		1
	Spring	48		1
	Screw, Suction Chamber	49		1
	Guide, Choke Cable	50		1
	Screw, Lever to Jet	51		1
	Insert, Screw	52		1
	Clip, Pick up Lever	53		1
91147	Gasket Kit			1
	Gasket, Float Chamber	36		1
24278	Gasket, Carb. to Air Cleaner	54		1
24279	Gasket, Carb. to Manifold	55		1
50705B	Locknut - Carburettor to Adaptor		Not illustrated	2
51203B	Lockwasher - Carburettor to Adaptor		Not illustrated	2

Fuel system – Fuel pump



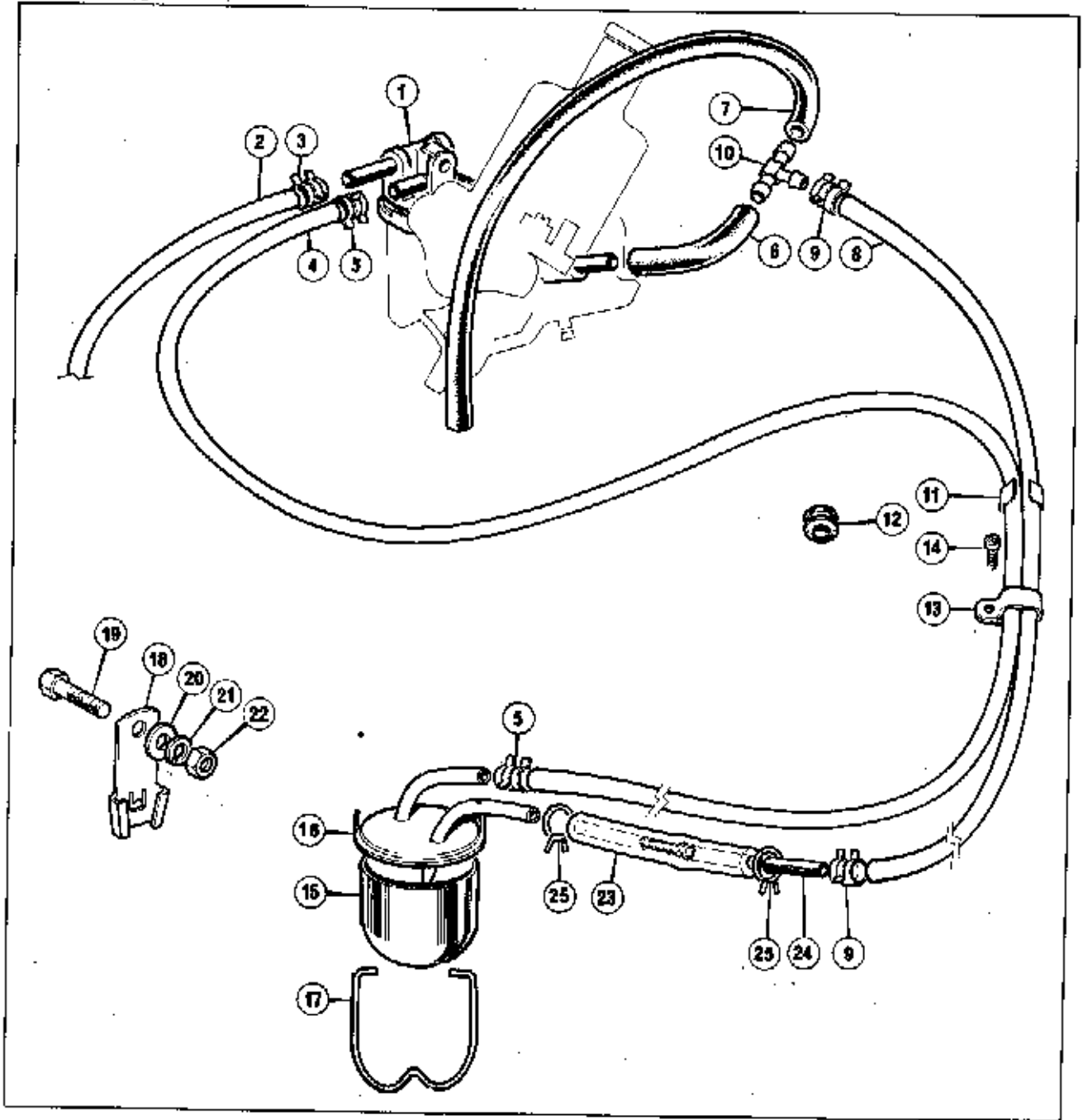
PART NO.	DESCRIPTION	ITEM	REMARKS	QTY.
FUEL SYSTEM - FUEL PUMP				
27123	Fuel Pump Assy.	1
27118	Heat Insulator and Gasket	1	1
51002B	Nut, Pump to Block.....	2	2

Fuel system – Tank and pipes



PART NO.	DESCRIPTION	ITEM	REMARKS	QTY.
FUEL SYSTEM - FUEL TANK AND PIPES				
26637	Asy. Fuel Tank	1		1
203715	Insulation, Tank to Chassis			2
22204	Tank Unit	2		1
18287	Sealing Ring, Tank Unit	3		1
18288	Locking Ring, Tank Unit	4		1
51132B	Washer, Tank Fixing - Side	5		2
51002B	Nut, Tank Fixing - Side	6		2
51440B	SetscREW, Tank to Crossmember	7		1
51131B	Washer, Tank to Crossmember	8		1
51001B	Nut, Tank to Crossmember	9		1
26686	Asy. Filler Tube	10		1
24824	Hose, Filler Tube	11		1
54771B	Clip, Hose	12		1
24821	Hose, Breather	13		1
54763B	Clip, Breather Hose	14	} Alternatives	2
54764B	Clip, Breather Hose			2
20942	Grommet, Filler Tube Orifice	15		1
29233	Filler Cap, Black Less Valve	16		1
27491	Filler Cap, Lockable with Keys		} Alternative	1
27484	Filler Cap, Lockable with Keys			1
24017	Sleeve Connector, Tank to Pipe	17	} Accessories	1
19025	Clip, Fuel Pipe Plastic	18		2
26251	Pipe, Connector to Filter	19		1
25105	In Line Filter	20		1
25106	Clip, Filter to Pipe	21		2
27409	Pipe, Filter to Pump Elbow	22		1
27120	Elbow Connector, Pipe to Pump	23		1
25353	Clip, Elbow Connector	24		2
12485	Clip, Fuel and Brake Pipe	25		4
29510	Hose, Pump to Carburettor	26	20" long	1
25353	Clip, Hose Securing	27		2
25295	'P' Clip, Hose Support	28		1

Fuel system – Overflow



PART NO.	DESCRIPTION	ITEM	REMARKS	QTY.
FUEL SYSTEM – FUEL OVERFLOW				
27694	Carburettor with Overflow	1	1
92264	Lid Assy	1	1
25294	Pipe, Fuel Pump to Carb.	2	1
25353	Clip, Pipe Securing	3	2
27657	Pipe, Carb. to Reservoir Inlet	4	53" Long	1
25353	Clip, Pipe Securing	5	2
27660	Pipe, Carb. to 'T' Piece	6	3" Long	1
27659	Pipe, 'T' Piece to Oil Filler	7	10.5" Long	1
27658	Pipe, 'T' Piece to Filter	8	40" Long	1
25353	Clip, Securing Pipe to 'T' Piece and Filter Adaptor	9	2
27641	'T' Piece	10	1

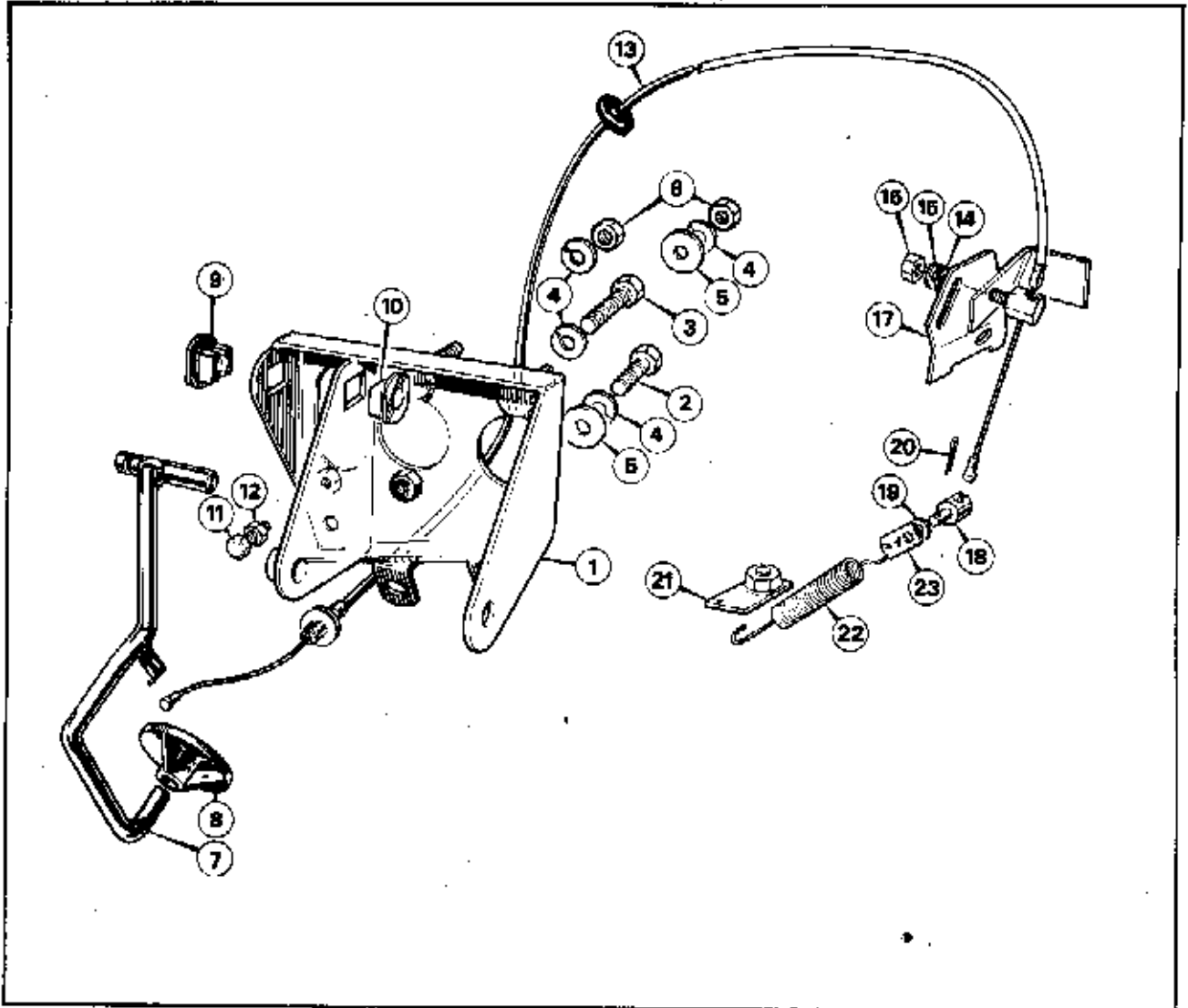
continued overleaf:-



Fuel system — Overflow

PART NO.	DESCRIPTION	ITEM	REMARKS	QTY.
FUEL SYSTEM - OVERFLOW continued:-				
27695	Clip, Pipes Supporting	11	1
27686	Grommet, Pipes Supporting	12	1
27702	'P' Clip, Pipes to Body	13	1
53172B	Screw, 'P' Clip to Body	14	1
27640	Reservoir			1
27654	Bowl	15	1
27649	Assy. Top	16	1
27655	Clip, Top to Bowl	17	1
27690	Bracket, Reservoir	18	1
51442B	Setcrew, Bracket Securing	19	}	1
28355	Conchwasher, Bracket Securing	20	} Lower Door	1
51201B	Lockwasher, Bracket Securing	21	} Hinge Fixings	1
50681B	Nut, Bracket Securing	22	}	1
25105	In Line Filter	23	1
27662	Adaptor Tube Filter to Pipe	24	1
25106	Clip, Filter Securing	25	2

Fuel system — Accelerator



PART NO.	DESCRIPTION	ITEM	REMARKS	QTY.
FUEL SYSTEM - ACCELERATOR				
26349	Bracket, Pedal Mounting	1	1
51482B	Setscrew, Mounting Bracket to Body	2	1
51485B	Setscrew, Cylinder and Bracket to Body	3	1
51202B	Lockwasher, Cylinder and Bracket to Body	4	4
51132B	Washer, Mounting Bracket to Body	5	2
50682B	Nut, Cylinder and Bracket to Body	6	2
22691	Assy., Accelerator Pedal	7	1
21743	Pedal Pad	8	1
20272	Bearing, Pedal Pivot	9	Black	1
20273	Bearing, Pedal Pivot	10	White	1
51442B	Setscrew, Pedal Stop	11	1
50703B	Locknut, Pedal Stop	12	1
25431	Cable, Accelerator	13	1
20847	Grommet	1

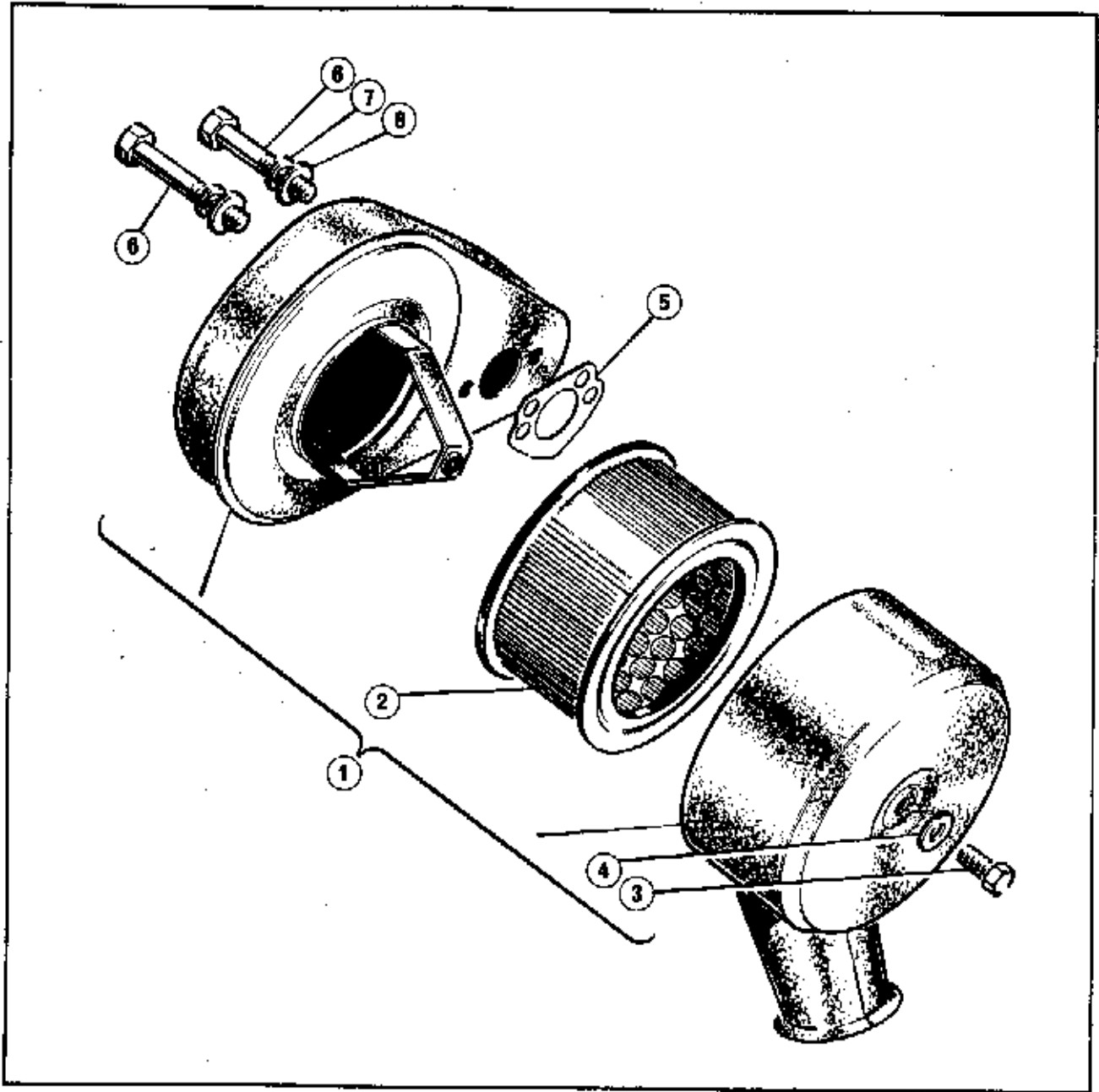


Fuel system – Accelerator



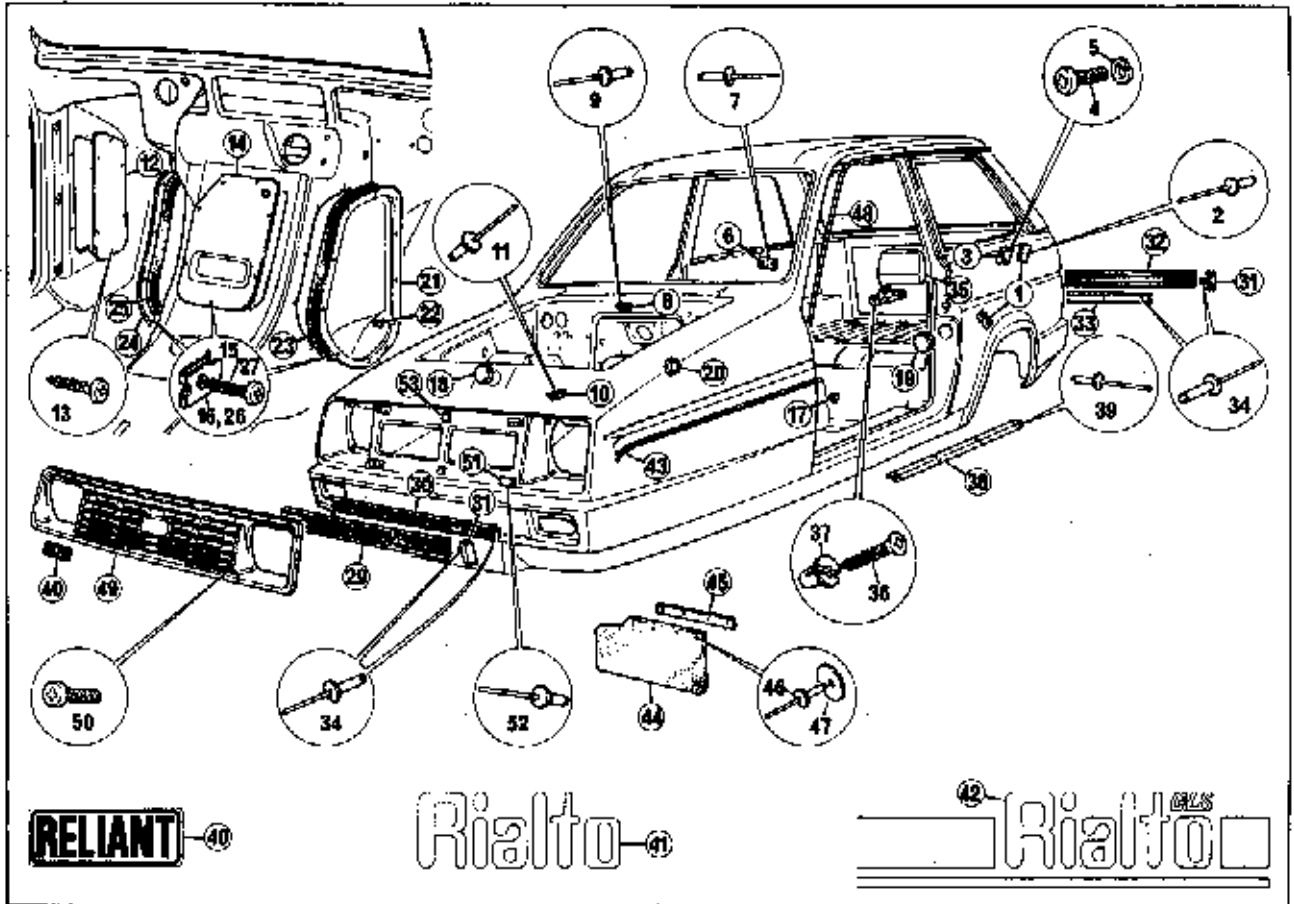
PART NO.	DESCRIPTION	ITEM	REMARKS	QTY.
FUEL SYSTEM - ACCELERATOR continued:-				
51121B	Washer, Cable Adjusting	14	1
51201B	Lockwasher, Cable Adjusting	15	1
50681B	Nut, Cable Adjusting	16	1
25432	Bracket, Cable Adjusting	17	1
22669	Trunnion, Cable to Carburettor	18	1
51162B	Washer, Trunnion	19	1
53810	Split Pin, Trunnion	20	1
25390	Bracket, Return Spring	21	1
25408	Spring, Cable Return	22	1
25533	Connector, Return Spring to Carb.	23	1

Fuel system — Air cleaner



PART NO.	DESCRIPTION	ITEM	REMARKS	QTY.
FUEL SYSTEM - AIR CLEANER				
25927	Air Cleaner Assy.	1	1
10033	Element	2	1
51440	Setscrew	3	1
51131	Washer	4	1
24278	Gasket, Air Cleaner to Carb	5	1
50069B	Bolt, Air Cleaner to Carb	6	2
51202	Lockwasher, Air Cleaner to Carb	7	2
51132B	Washer, Air Cleaner to Carb	8	2

Main body – 2 door



PART NO.	DESCRIPTION	ITEM	REMARKS	QTY.
MAIN BODY - 2 DOOR				
28471	Assy. Main Body			1
22096	Backing Plate, Spare Wheel Strap	1		2
54169K	Rivet, Plate to Body	2		4
25484	Hook Plate,	3		2
52122B	Screw Hook, Plate to Body	4		4
51200B	Spring Washer, Plate to Body	5		4
22096	Backing Plate, Squab Stop	6		2
54169K	Rivet, Plate to Body	7		4
21663	Striker Plate, Bonnet	8		1
54183K	Rivet, Striker Plate to Bonnet	9		2
21685	Mounting Plate, Solenoid	10		1
54169K	Rivet, Mounting Plate to Body	11		1
1270FG	Access Panel, R.R. Door Hinge			1
1659FG	Access Panel, L.H. Door Hinge	12		1
53171S	Screw, Access Panel Retaining	13		12
1279FG	Access Panel, Engine Rear	14		1
53171S	Screw, Panel Retaining	15		7
9271	Spire Clip, Rear Access Panel	16		7
22575	Drain Plug	17		2
27132	Blanking Plug, M/Cyl Clevis Pins	18		1
18833	Grommet, Door Striker Access	19		2
22108	Grommet, M/Lamp Harness Access	20		1
28451	Assy. Access Panel, Engine Side R.H.	21		1
28684	Lucar, Suppression Earth	22		1
213786	Foam Sealing Strip	23	From Bulk	4ft
28452	Assy., Access Panel, Engine Side L.H.	24		1
213786	Foam Sealing Strip	25	From Bulk	4ft
9271	Clip, Side Access Panel Retaining	26		22
53508S	Screw, Side Access Panel Retaining	27		22

continued overleaf:-

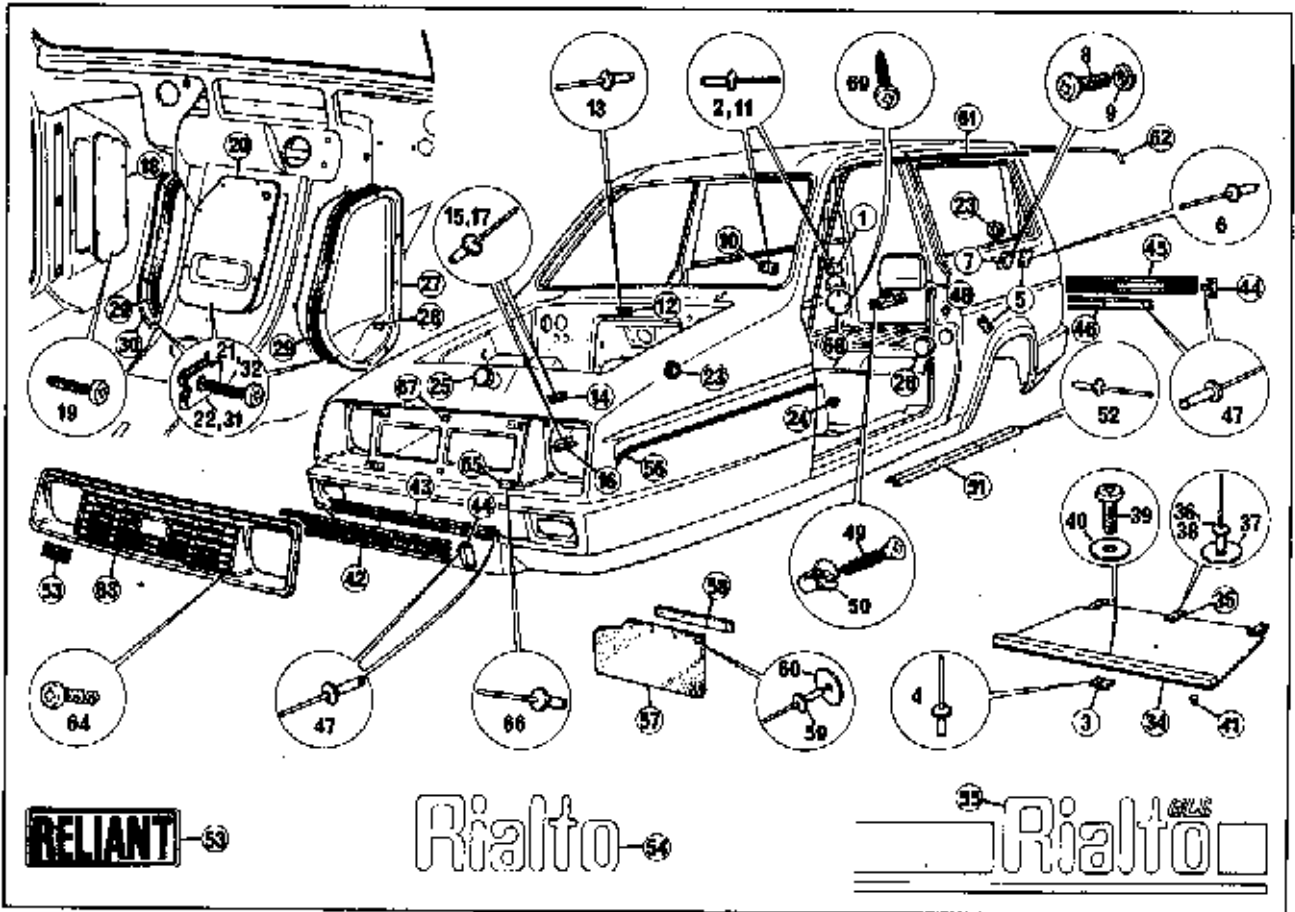


Main body — 2 door



PART NO.	DESCRIPTION	ITEM	REMARKS	QTY.
MAIN BODY - 2 Door continued:-				
28454	Front Bumper	29	GLS	1
28456	Carrier, Front Bumper	30	GLS	1
28458	End Cap, Front and Rear Bumper	31	GLS	4
28455	Rear Bumper	32	GLS	1
28457	Carrier, Rear Bumper	33	GLS	1
213819	Rivet, Front and Rear Bumper to Body	34	9
28013	Exterior Mirror, R.H.	35	1
28019	Exterior Mirror, L.H.	35	GLS	1
53270T	Screw, Mirror to Door (One Side)	36	2
16043	Insert, Mirror to Door (One Side)	37	2
26691	Mirror, (Not Handed)		Alt. to Item 38	
25289	Treadplate,	38	GLS	2
54176K	Rivet, Treadplate Securing	39	16
25092	Badge, "RELIANT"	40	2
29076	Badge, "RIALTO" Gold	41	Standard	1
29115	Badge, "RIALTO" Silver	41	Standard	1
29075	Badge, "RIALTO GLS" Gold	42	GLS	1
29114	Badge, "RIALTO GLS" Silver	42	GLS	1
29062	Body Stripe, Gold	43	7.5ms
29110	Body Stripe, Silver	43	7.5ms
22437	Mudflap, Front	44	1
22438	Mounting Plate, Mudflap	45	1
213819	Rivet, Flap and Mounting Plate to Body	46	4
29325	Drip Channel, Side Self Adhesive	47	2
29054	Grille, radiator	49	1
53172T	Screw, Grille Securing	50	4
16043	Insert, grille to body		replaces items 51 and 52	4
21599	Buffer, grille to body	53	2

Main body — 3 door & van



PART NO.	DESCRIPTION	ITEM	REMARKS	QTY.
MAIN BODY - 3 DOOR AND VAN				
28467	Assy. Main Body		3 DOOR	
28466	Assy. Main Body		VAN	1
25245	Backing Plate Checkstrap	1		1
54169K	Rivet, Plate to Body	2		1
9768	Backing Plate, Backboard to Floor	3		1
54169K	Rivet, Plate to Body	4		2
22096	Backing Plate, S. Wheel Strap	5		2
54169K	Rivet, Plate to Body	6		4
25484	Hookplate, Retaining Strap	7		2
52122B	Screw, Plate to Body	8		4
51200B	Spring Washer	9		4
22096	Mounting Plate, Squab Stop	10		2
54169K	Rivet, Plate to Body	11		4
21663	Striker Plate, Bonnet	12		1
54183K	Rivet, Plate to Body	13		2
21685	Mounting Plate, Solenoid	14		1
54169K	Rivet, Plate to Body	15		1
21687	Mounting Plate, Coil	16	VAN ONLY	1
54169K	Rivet, Plate to Body	17	VAN ONLY	1
1270FG	Access Panel, R.H. Door Hinge			1
1659FG	Access Panel, L.H. Door Hinge	18		1
53171S	Screw, Panel Retaining	19		12
1279G	Access Panel, Engine Rear	20		1
53171S	Screw, Panel, Retaining	21		7
9271	Spire Clip, Rear Access Panel	22		7
2210B	Grommet, Striker and M/Lamp Access	23		2
22575	Drain Plug	24		2

continued overleaf:-



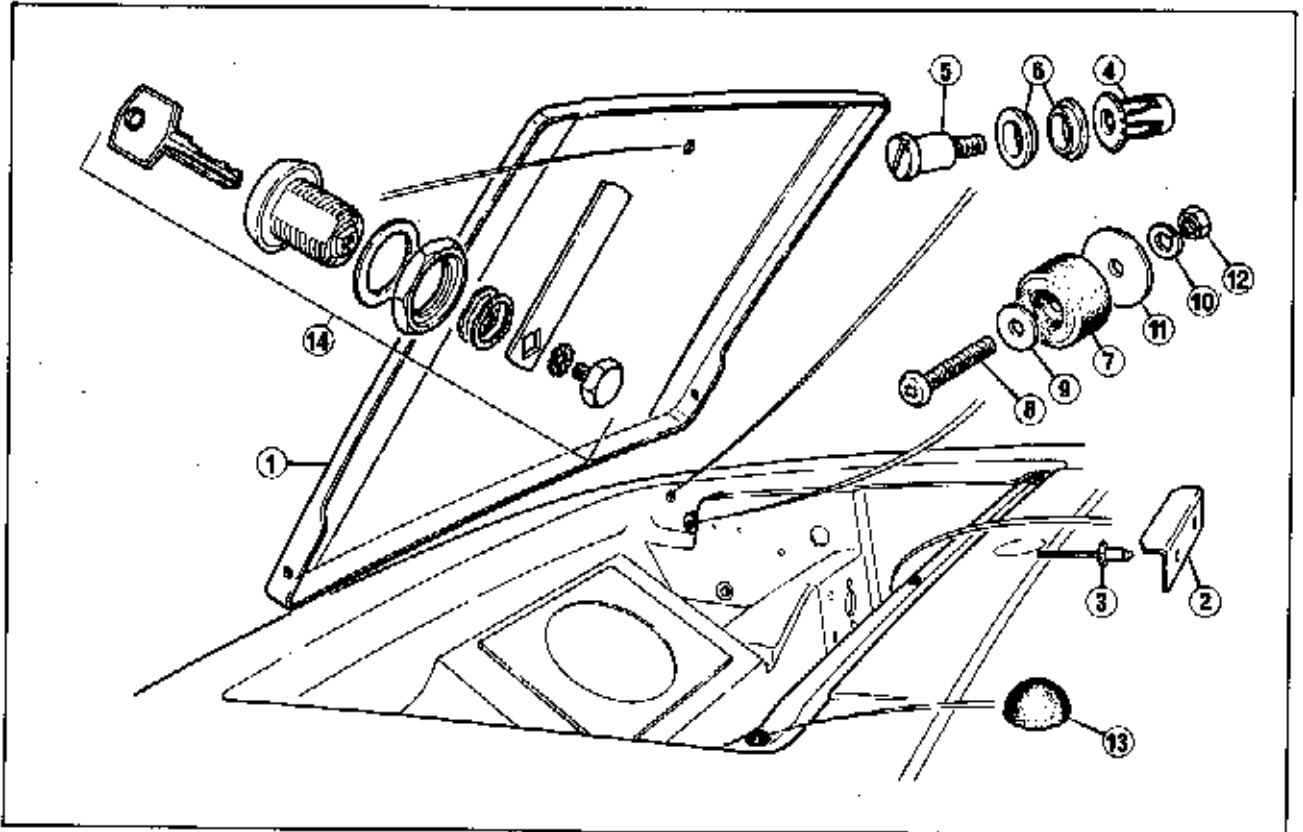
Main body - 3 door & van



PART NO.	DESCRIPTION	ITEM	REMARKS	QTY.
MAIN BODY - 3 Door and Van continued:				
27132	Blanking Plug, M/Cyl Clevis Pins	25	1
18833	Grommet, Door Striker Access	26	2
28451	Assy., Access Panel Engine Side R.H.	27	1
28684	Lucar, Suppression Earth	28	1
213786	Foam Sealing Strip	29	From Bulk	4ft
28452	Assy., Access Panel Engine Side L.H.	30	1
213786	Foam Sealing Strip	29	From Bulk	4ft
9271	Clip, Access Panel	31	22
535088	Screw, Access Panel	32	22
21763	Assy., Floor Panel	34	VAN ONLY	1
22111	Plate, Panel Securing	35	VAN ONLY	3
54187K	Rivet, Plate to Panel	36	VAN ONLY	6
51130B	Washer, Plate to Panel	37	VAN ONLY	6
54187K	Rivet, Plate to Body	38	VAN ONLY	6
52764B	Screw, Plate to Body	39	VAN ONLY	1
51131B	Washer, Plate to Body	40	VAN ONLY	1
21599	Buffer, Floor Panel to Body	41	VAN ONLY	2
28454	Bumper, Front	42	GLS	1
28456	Carrier, Front Bumper	43	GLS	1
28458	End Cap, Front and Rear Bumper	44	GLS	4
28455	Bumper, Rear	45	1
28457	Carrier, Rear Bumper	46	1
213819	Rivet, Front and Rear Bumper to Body ..	47	9
28013	Exterior Mirror, R.H.	48	
28019	Exterior Mirror, L.H.		GLS	
26691	Exterior Mirror (Not Handed)		Alt. to Item 51	
53270T	Screw, Mirror to Door	49	Each Side	2
16043	Insert, Mirror to Door	50	Each Side	2
25289	Treadplate, Door Sill	51	GLS	2
54176K	Rivet, Treadplate to Sill	52	16
29052	Badge "RELIANT"	53	2
29076	Badge, "RIALTO" Gold	54	Standard	1
29115	Badge, "RIALTO" Silver		Standard	1
29075	Badge, "RIALTO GLS" Gold	55	GLS	1
29114	Badge, "RIALTO GLS" Silver		GLS	1
29082	Body Stripe Gold	56	GLS	7.5ms
29110	Body Stripe Silver			7.5ms
22437	Mud Flap, Front	57	1
22438	Mounting Plate, Mudflap	58	1
213819	Rivet, Flap and Mounting Plate to Body ..	59	4
27687	Drip Channel, Side Self Adhesive	61	2
27688	Drip Channel, Rear Self Adhesive	62	1
29054	Grille	63	1
53172T	Screw, Grille Securing	64	4
16043	Insert, grille to body		replaces items 65 and 66	4
21399	Buffer, grille to body	67	2
17285	Access Panel, Checkstrap Backing Plate ..	68	1
53171Q	Screw, Access Panel	69	3

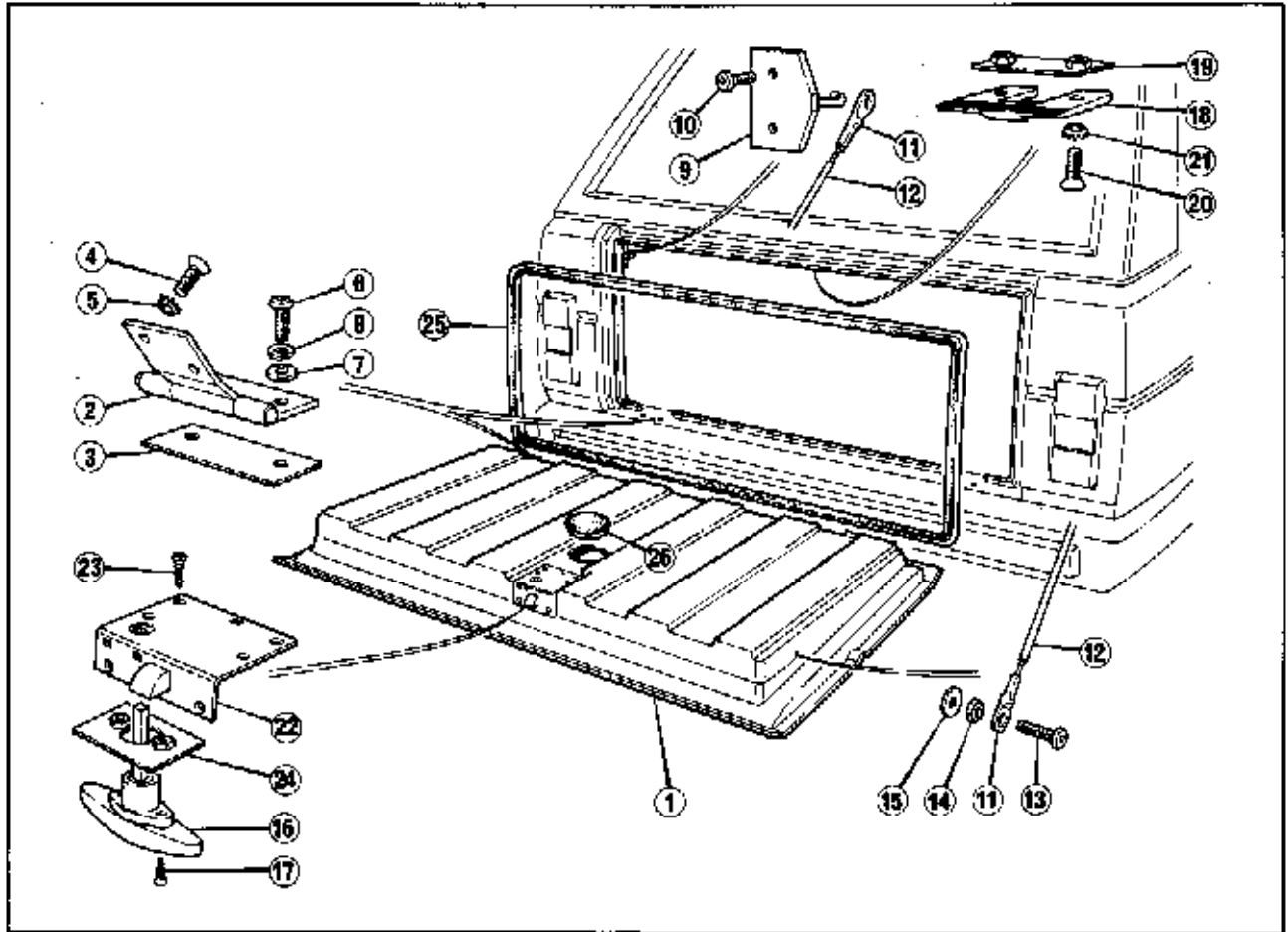


Body — Bonnet lid



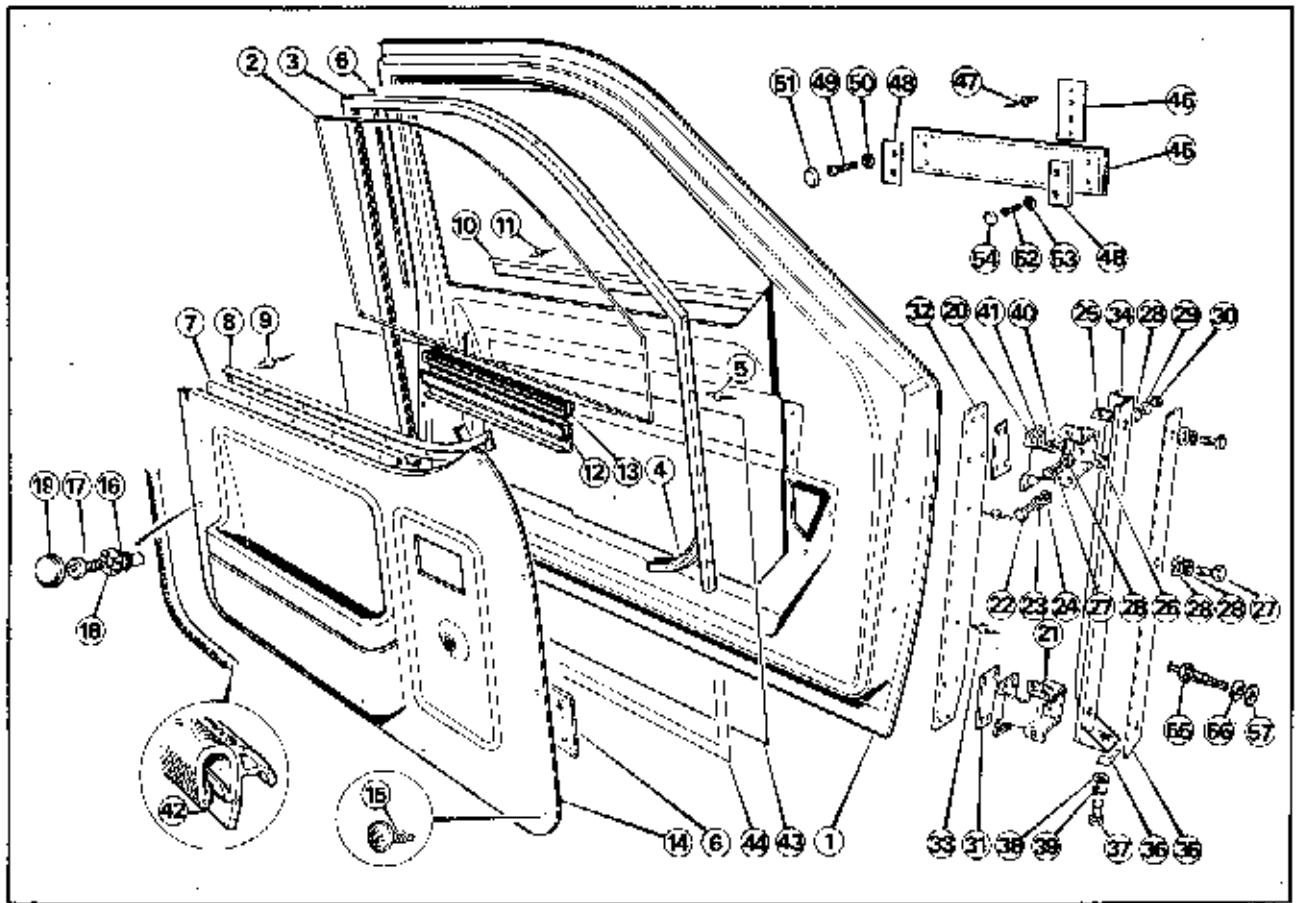
PART NO.	DESCRIPTION	ITEM	REMARKS	QTY.
BODY - BONNET LID				
28641	Bonnet Lid - Assy.	1	1
21663	Striker Plate	2	1
54183x	Rivet, Plate to Body	3	2
26776	Jack Nut, Bonnet Pivot	4	2
26775	Bolt, Bonnet Pivot	5	2
21483	Spacer, Bonnet Pivot	6	4
29336	Bonnet Stop	7	2
52126B	Screw, Bonnet Stop to Body	8	2
51130B	Washer, Bonnet Stop to Body	9	2
51200B	Spring Washer, Bonnet Stop to Body	10	2
28354	Coach Washer, Bonnet Stop to Body	11	2
50680B	Nut, Bonnet Stop to Body	12	2
21710	Buffer, Bonnet Lid to Body	13	5
28715	Bonnet Lock Assy. with Keys	14	1
28717	Key - F.S. Series		Quote Serial No	2

Body – Tailgate 2 door



PART NO.	DESCRIPTION	ITEM	REMARKS	QTY.
BODY TAILGATE 2 DOOR				
29242	Tailgate Assy.	1	1
28966	Hinge Assy, Tailgate	2	2
51882B	Screw, Hinge to Tailgate	3	4
52162B	Screw, Hinge to Body	4	4
51130B	Washer, Hinge to Body	5	4
51200B	Spring Washer, Hinge to Body	6	4
29326	Hook, Support Stay	7	2
52122B	Screw, Hook to Body	8	4
51130B	Washer, Hook to Body	9	4
51200B	Spring Washer, Hook to Body	10	4
29240	Stay	11	2
29121	Sleeve	12	2
52124B	Screw, Stay to Tailgate	13	2
50720B	Locknut, Stay to Tailgate	14	2
51130B	Washer, Stay to Tailgate	15	2
29112	Exterior Handle	16	1
28717	Key		Quote Serial No	2
53258T	Screw, Handle to Tailgate	17	2
14255	Striker, Lock Tailgate	18	1
14257	Backing Plate, Striker	19	1
51882B	Setscrew, Striker and Plate to Body	20	2
8843	Lockwasher, Striker and Plate to Body	21	2
14254	Lock, Rear Tailgate	22	1
53256T	Screw, Lock to Tailgate	23	6
29262	Backing Plate	24	1
29573	Seal, Tailgate aperture	25	Make from 216530-96"long	1

Body – Side door – Shell and trim



PART NO.	DESCRIPTION	ITEM	REMARKS	QTY.
BODY - SIDE DOOR - SHELL AND TRIM				
28970	Side Door R.H. Shell Only			1
28971	Side Door L.H. Shell Only	1		1
21666	Drop Glass R.H.			1
21667	Drop Glass L.H.	2		1
21669	Frame R.H.			1
21668	Frame L.H.	3		1
21593	Silent Channel, Frame	4		2
54171K	Rivet, Frame to Door	5		20
56911	Seal, Frame to Door	6	Bulk Only	16"
24467	Stiffener, Door Casing Top	7		
23544	Weatherstrip, Inner R.H.			1
23545	Weatherstrip, Inner L.H.	8		1
54169K	Rivet, Weatherstrip to Casing	9		14
21693	Weatherstrip, Outer R.H.			1
21694	Weatherstrip, Outer L.H.	10		1
54169K	Rivet, Weatherstrip to Door	11		8
12353	Channel, Regulator	12		2
19250	Insulation, Drop Glass to Channel	13		2
28993	Door Casing R.H.			1
28994	Door Casing L.H.	14		1
23334	Fastener, Casing Board to Door	15	Black	16
29237	Jack Nut, Casing Board to Door	16		2
29238	Screw, Casing Board to Door	17		2
27752	Washer, Casing Board to Door	18		2
27753	Snapcap, Casing Board to Door	19	Black	2

continued overleaf:-

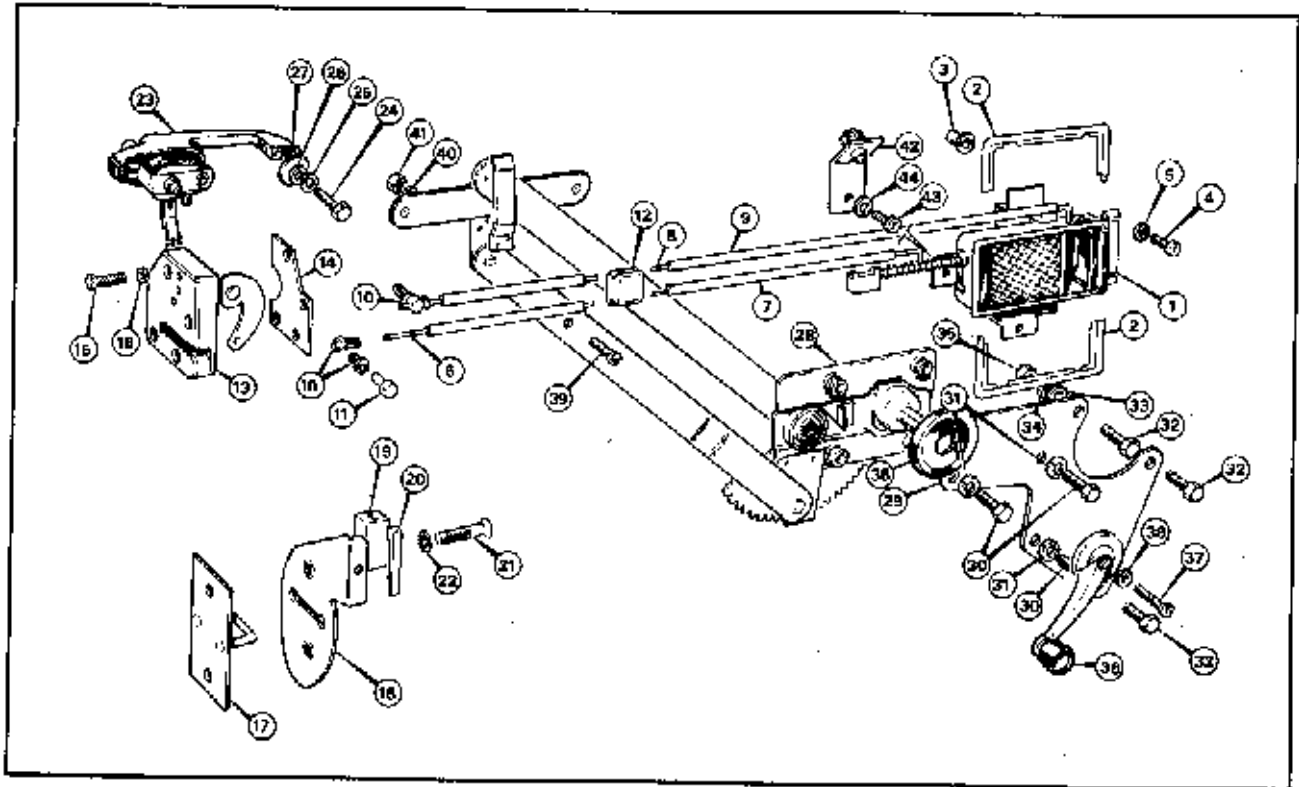


Body — Side door — Shell and trim



PART NO.	DESCRIPTION	ITEM	REMARKS	QTY.
BODY - SIDE DOOR - SHELL and TRIM continued:-				
25845	Assy. Hinge, Upper R.H.			1
25846	Assy. Hinge, Upper L.H.	30		1
21969	Assy. Hinge, Lower R.H.			1
21970	Assy. Hinge, Lower L.H.	21		1
21372	Shim 2 Hole, Hinge to Body			AR
21373	Shim 1 Hole, Hinge to Body			AR
51444B	Setscrew, Hinge to Body	22		12
51201B	Lockwasher, Hinge to Body	23		12
51131B	Washer, Hinge to Body	24		12
21309	Backing Plate, Side Door Hinge R.H.			2
21310	Backing Plate, Side Door Hinge L.H.	25		2
21122	Backing Plate, Side Door Hinge	26		4
51442B	Setscrew, Plate and Brkt. to Body and Hinge	27		10
28355	Coachwasher, Plate and Brkt. to Body and Hinge	28		14
51201B	Lockwasher, Plate and Brkt. to Body and Hinge	29		10
50681B	Nut, Plate to Bracket and Hinge	30		4
25177	Plate, Hinge to Door	31		4
21364	Backing Plate, Hinge to Door	32		2
54175K	Rivet, Backing Plate to Door	33		4
23533	Support Plate, Hinge to Body R.H.			1
23532	Support Plate, Hinge to Body L.H.	34		1
25180	Stiffener, Support Plate to Body	35		2
23698	Shim, Support Plate and Brkt. to Chassis	36		AR
51442B	Setscrew, Support Plate and Brkt. to Chassis	37		2
28355	Coachwasher, Plate and Brkt. to Chassis	38		2
51201B	Lockwasher, Plate and Brkt. to Chassis	39		2
51884B	Setscrew, Hinge to Door	40		16
8843	Shakeproof Washer, Hinge to Door	41		16
26633	Sealing Ring, Side Door	42		2
21943	Waterproofing Panel	43	Polythene	2
55961	Tape, Panel to Door	44	12 ft. From Bulk	2
29003	Checkstrap, Grey	45		2
26968	Backing Plate, Checkstrap to Door	46		2
54169K	Rivet, Backing Plate to Door	47		4
26971	End Plate, Strap to Body and Door	48		4
52126B	Screw, Strap to Door	49		4
215375	Washer, Strap to Door	50		4
215378	Cap, Screw Black	51		4
53095B	Screw, Strap to Body	52		4
37752	Washer, Strap to Body	53		4
27753	Cap, Screw Black	54		4
212718	Courtesy Switch	55	2 off GLS	1
28356	Coachwasher, Courtesy Switch	56	2 off on GLS	1
51132B	Washer, Courtesy Switch	57	2 off on GLS	1

Body – Side door mechanism



PART NO.	DESCRIPTION	ITEM	REMARKS	QTY.
BODY - SIDE DOOR MECHANISM				
15656	Remote Control Mechanism R.H.			1
15657	Remote Control Mechanism L.H.			1
208809	Bezel, Remote Unit	1		1
16943	Insert, Remote Control to Door	2		2
531718	Screw, Remote Control to Door	3		4
51130B	Washer, Remote Control to Door	4		4
21699	Link, Lock to Remote Control	5		4
23992	Insulation, Link	6		2
21700	Link, Internal Locking Mech.	7	22" Black PVC	2
23992	Insulation, Link	8		2
209031	Clip, Link to Lock	9	29.5" Black PVC	2
209030	Pin, Adjusting	10		4
22272	Clip, Locking Link to Remote	11		4
208802	Lock, R.H. Door	12		2
208803	Lock, L.H. Door	13		1
208804	Backing Plate, R.H. Lock			1
208805	Backing Plate, L.H. Lock			1
51888B	Screw, Lock to Door	14		1
8843	Lockwasher, Lock to Door	15		8
21143	Striker, Side Door Lock	16		8
21144	Cover Plate R.H., Striker	17		2
21145	Cover Plate L.H., Striker			1
21146	Travel Stop, Striker	18		1
21091	Clip, Stop to Cover	19		2
51882B	Screw, Striker and Cover to Body	20		2
8843	Lockwasher, Striker and Cover to Body	21		4
28712	Exterior Door Handle R.H.	22		4
28717	Key, F8 Series		Quote Serial No	1
28713	Exterior Door Handle L.H.			2
51402B	Screw, Handle to Door	23		1
51200B	Springwasher, Handle to Door	24		4
51130B	Washer, Handle to Door	25		4
28354	Coachwasher	26		2
25002	Window Regulator Assy. R.H.	27		2
25003	Window Regulator Assy. L.H.			1
26949	Mounting Plate, Regulator R.H.	28		1
26950	Mounting Plate, Regulator L.H.	29		1

continued overleaf:-

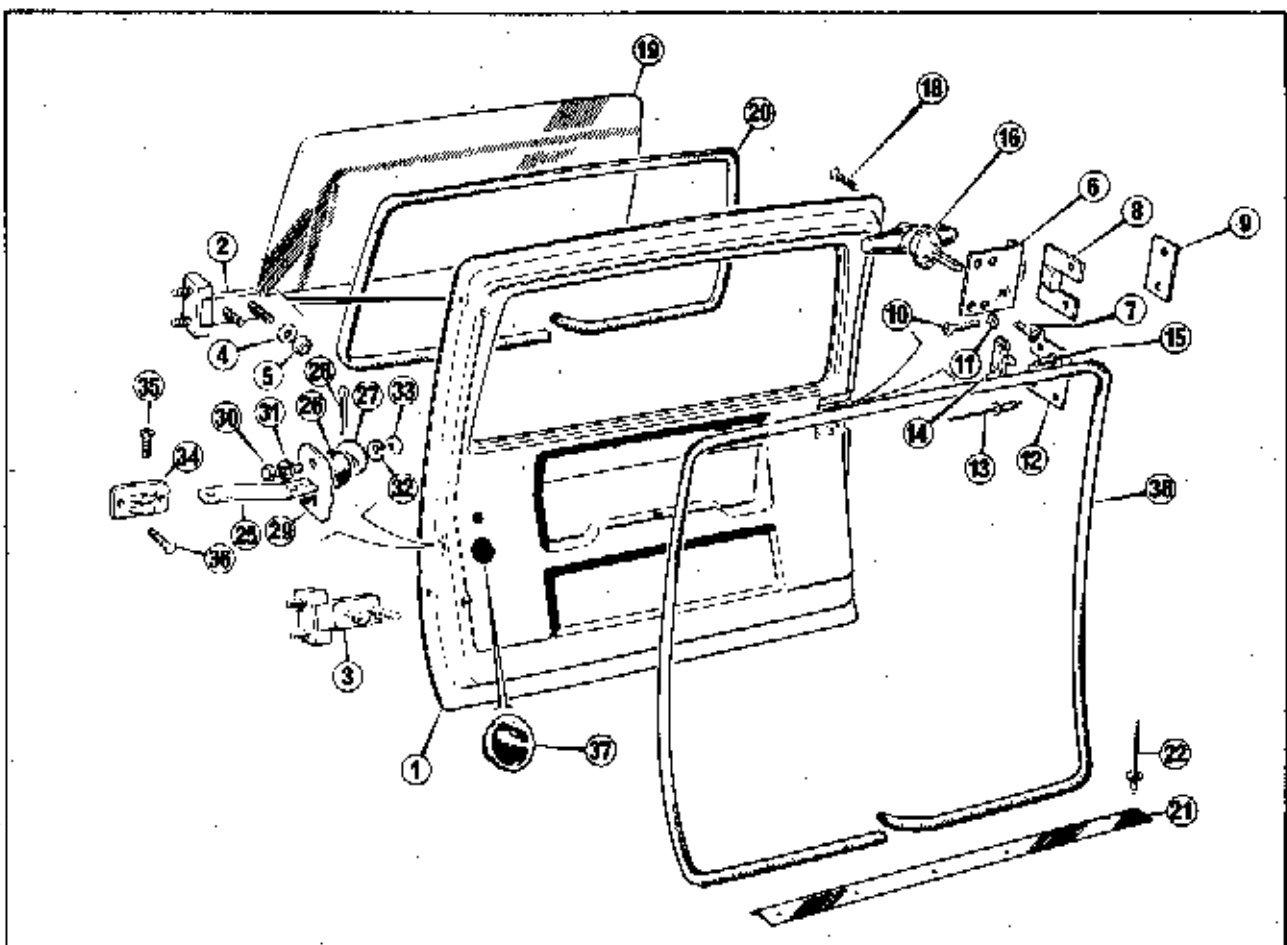


Body — Side door mechanism



PART NO.	DESCRIPTION	ITEM	REMARKS	QTY.
BODY - SIDE DOOR MECHANISM continued:-				
51442B	Setscrew, Regulator to Mounting	30	6
51201B	Lockwasher, Regulator to Mounting	31	6
51442B	Setscrew, Regulator and Mounting to Door	32	6
51131B	Washer, Regulator and Mounting to Door	33	6
51201B	Lockwasher, Regulator and Mounting to Door	34	6
50681B	Nut, Regulator and Mounting to Door	35	6
25006	Handle, Window Regulator	36	2
52122B	Screw, Handle to Regulator	37	2
9343	Lockwasher, Handle to Regulator	38	2
6986	Screw, Regulator Stop	39	2
51200B	Lockwasher, Regulator Stop	40	2
8916	Nut, Regulator Stop	41	2
26951	Bracket and Clip Assy., Link Retaining	42	2
53161B	Screw, Bracket and Clip Securing	43	2
51130B	Washer, Bracket and Clip Securing	44	2

Body - Rear door



PART NO.	DESCRIPTION	ITEM	REMARKS	QTY.
BODY - REAR DOOR 3 DOOR AND VAN				
25130	Rear Door Shell	1	1
21709	Backing Plate, Male Dovetail	1
58167K	Rivet, Backing Plate to Body	2
25132	Hinge Upper	2	1
25171	Hinge Lower	3	1
51131B	Washer, Hinge to Door and Body	4	8
51001B	Nut, Hinge to Door and Body	5	8
14254	Lock, Rear Door	6	1
53256T	Screw, Lock to Door	7	6
14255	Striker, Rear Door to Lock	8	1
14257	Backing Plate, Striker	9	1
51682B	Setscrew, Striker and Plate to Body	10	2
8843	Lockwasher, Striker and Plate to Body	11	2
7889	Dovetail, Female	12	1
54227K	Rivet, Dovetail to Door	13	4
3599	Dovetail, Male	14	1
54216K	Rivet, Male Dovetail to Door	15	6
28714	Locking Handle	16	1
28717	Key, F.S. Series		Quote Serial No	2
53258T	Screw, Handle to Door	18	2
25142	Rear Window	19	1
21357	Sealing Ring, Rear Window	20	1
21664	Kickplate	21	1
213019	Rivet, Kickplate to Door	22	6

continued overleaf:-

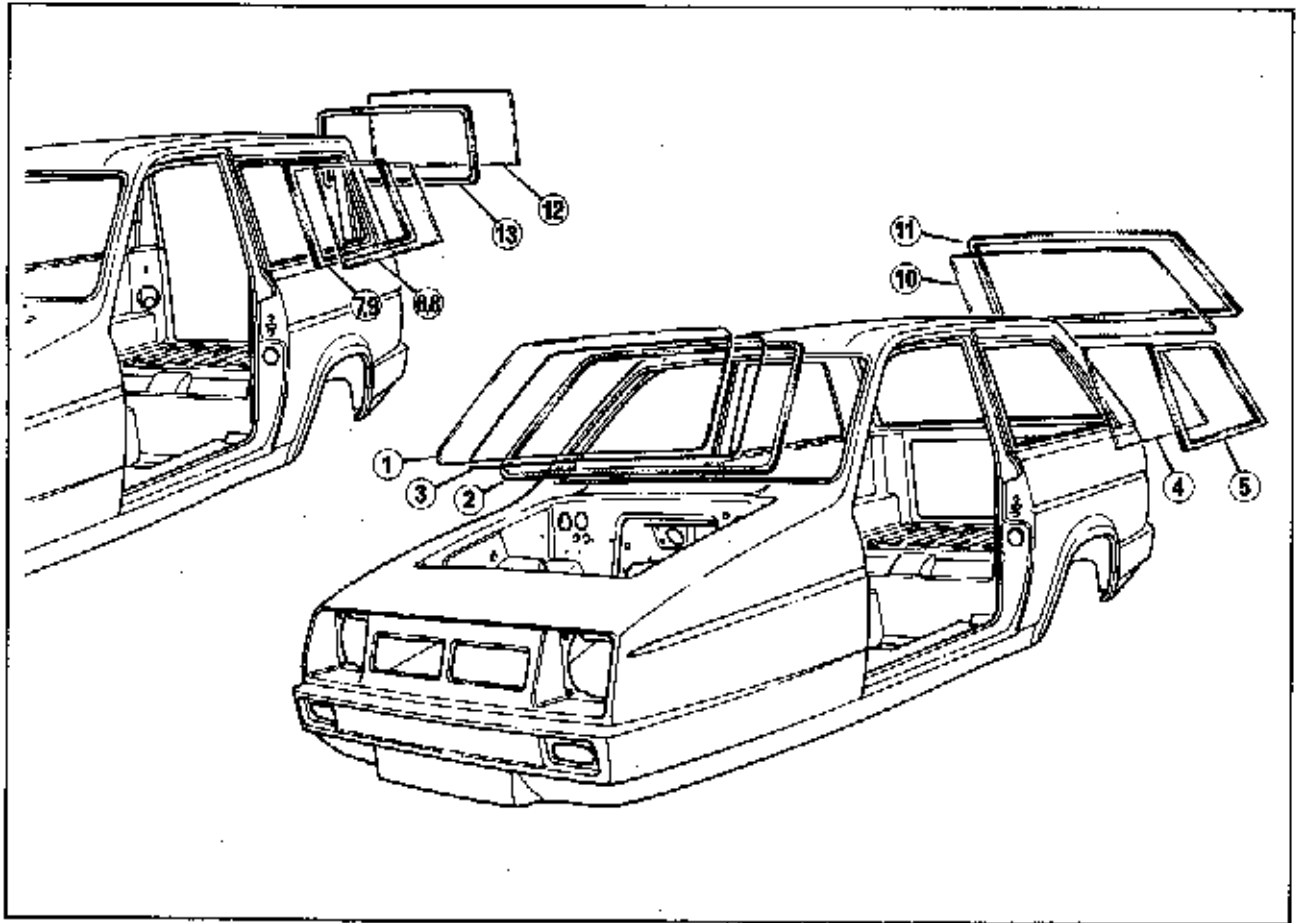


Body — Rear door



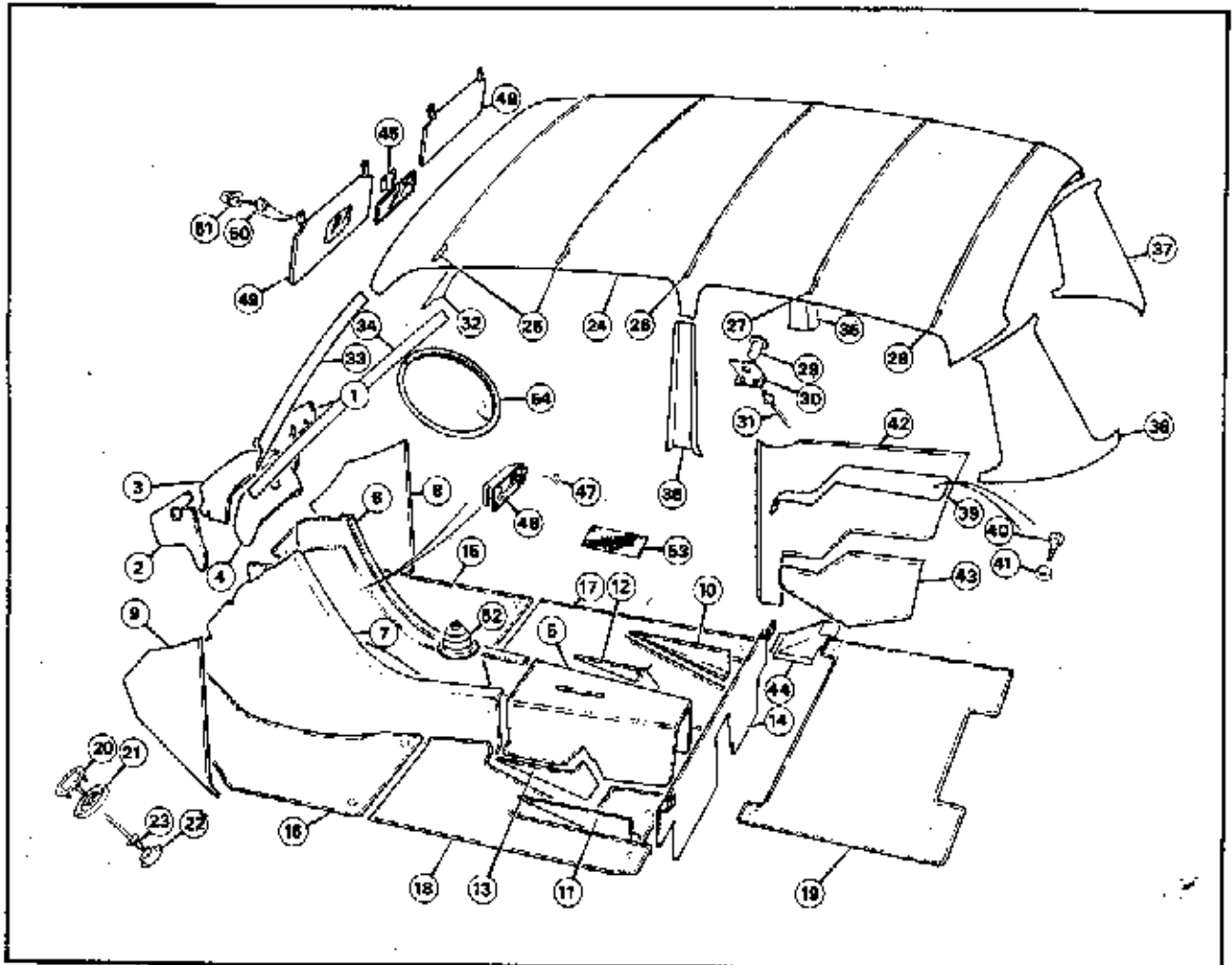
PART NO.	DESCRIPTION	ITEM	REMARKS	QTY.
BODY - REAR DOOR - J DOOR and VAN continued:-				
25274	Checklink Assy.			1
25252	Link	25		1
25253	Buffer	26		1
200259	Washer	27		1
53922B	Split Pin	28		1
200865	Slide Plate	29		1
52124B	Screw, Slide Plate to Door	30		2
8921	Washer, Slide Plate to Door	31		2
51200B	Lockwasher, Slide Plate to Door	32		2
50680B	Nut, Slide Plate to Door	33		2
25530	Lug, Checkstrap	34) Alternative	1
25531	Screw, Link to Lug	35)	1
14930	Lug, Checkstrap) Alternative	1
14931	Screw, Link to Lug) to 34 & 35	1
52364D	Screw, Lug to Body	36		2
22108	Grommet, Checkstrap Access	37		1
26956	Sealing Ring, Rear Door	38		1

Body - Glasses and seals



PART NO.	DESCRIPTION	ITEM	REMARKS	QTY.
BODY - GLASSES AND SEALS				
29051	Front Screen	1	1
24989	Weatherstrip, Front Screen	2	1
2363	Locking Strip, Front Screen	3	Standard Model	10ft.
8713	Locking Strip, Front Screen		GTS	10ft.
21666	Drop Glass R.H., Side Door		See Q5	1
21667	Drop Glass L.H., Side Door		See Q5	1
29090	Rear Quarter Light	4	2 Door Only	2
29091	Weatherstrip Ring R.H., Q'Light	1
29092	Weatherstrip Ring L.H., Q'Light	5	1
24350	Rear Quarter Light, Glass	6) Accessory	2
24351	Sealing Ring, R.H.,) For	1
24352	Sealing Ring, L.H.,	7) Van	1
25871	Rear Quarter Light, Perspex	8	3 Door	2
24351	Sealing Ring R.H.	1
24352	Sealing Ring L.H.	9	1
28639	Rear Screen - Heated	10	2 Door	1
28640	Weatherstrip Ring, Rear Screen	11	1
25142	Rear Screen, Toughened	12	3 Door and Van	1
21357	Sealing Ring, Rear Screen	13	1

Interior – Carpets and trim



PART NO.	DESCRIPTION	ITEM	REMARKS	QTY.
INTERIOR - CARPETS AND TRIM				
22122	Insulation, Bulkhead Side R.H.	1		1
22123	Insulation, Bulkhead Side L.H.	2		1
22124	Insulation, Bulkhead Centre Upper	3		1
22125	Insulation, Bulkhead Centre Lower	4		1
28840	Carpet Assy., Propshaft Tunnel Grey	5		1
28665	Carpet Assy., Engine Cover R.H. Grey	6		1
28667	Carpet Assy., Engine Cover L.H. Grey	7		1
3881	Pronged Ring	20		2
3880	Socket Ring	21		2
6980	Stud, Floor Cover Securing	22		2
54170K	Rivet, Stud to Body	23		2
28793	Carpet Panel, Front Footwell R.H. Grey	8		1
28792	Carpet Panel, Front Footwell L.H. Grey	9		1
28791	Carpet Panel, Rear Footwell R.H. Small Grey	10	2 & 3 Door	1
28790	Carpet Panel, Rear Footwell L.H. Small Grey	11	2 & 3 Door	1
28789	Carpet Panel, Rear Footwell R.H. Large Grey	12	2 & 3 Door	1
28788	Carpet Panel, Rear Footwell L.H. Large Grey	13	2 & 3 Door	1
28785	Carpet Panel, Heelboard Grey	14	2 & 3 Door	1
28796	Carpet Assy., Front Floor R.H. Grey	15		1
28854	Carpet Assy., Front Floor L.H. Grey	16		1
28853	Carpet Assy., Rear Floor R.H. Grey	17		1
28856	Carpet Assy., Rear Floor L.H. Grey	18		1
28896	Carpet Assy., Boot Floor Grey	19	GLS 2 Door	1
28897	Carpet Assy., Boot Floor Grey		GLS 3 Door	1
203554	Heelmat			1
3881	Pronged Ring	20		14
3880	Socket Ring	21		14
6980	Stud, Floor Cover Securing	22		14
54170K	Rivet, Stud to Body	23		14

continued overleaf:-



Interior — Carpets and trim



PART NO.	DESCRIPTION	ITEM	REMARKS	QTY.
INTERIOR - CARPETS AND TRIM continued-				
22044	Head Lining Assy.	24	2 Door	1
22045	Head Lining Assy.		Van	1
24549	Headling Assy.		3 Door	1
21768	Listing Rod Nos. 1 and 2	25	All Models	2
21769	Listing Rod No.3	26	2 Door	1
21770	Listing Rod No.4	27	2 Door	1
21771	Listing Rod No.5	28	2 Door	1
25631	Listing Rod Nos. 5 and 6		3 Door	2
21770	Listing Rod Nos. 3 and 4		3 Door	2
211141	Retainer, Rod to Body	29	2 Door	10
211141	Retainer, Rod to Body		3 Door	12
211141	Retainer, Rod to Body		Van	4
22110	Bracket for No.4 Rod	30	2 Door	2
22110	Bracket for No.4 Rod		3 Door	8
54170K	Rivet, Bracket to Body	31	2 Door	4
54170K	Rivet, Bracket to Body		3 Door	16
28982	Trim Cover R.H., 'A' Post Grey	32		1
28983	Trim Cover L.H., 'A' Post Grey	33		1
28981	Trim Cover, Below windscreen	34		1
32050	Trim Cover R.H., 'B' Post Grey	35		1
22051	Trim Cover L.H., 'B' Post Grey	36		1
29334	Trim Fillet R.H., RR Quarter Grey	37	2 Door	1
25873	Trim Fillet L.H., RR Quarter Grey	38	2 Door	1
25872	Trim Fillet R.H., RR Quarter Grey		3 Door	1
25873	Trim Fillet L.H., RR Quarter Grey		3 Door	1
28880	Armrest Assy., R.H. Rear	39	GLS 2 Door	1
28881	Armrest Assy., L.H. Rear		GLS 2 Door	1
53084D	Screw, Armrest to Body	40		4
54561D	Cupwasher, Armrest to Body	41		4
28882	Armrest Assy., R.H. Rear		GLS 3 Door	1
28883	Armrest Assy., L.H. Rear		GLS 3 Door	1
28886	Trim Panel R.H., Rear Side Upper, Grey	42	GLS 2 Door	1
28887	Trim Panel L.H., Rear Side Upper, Grey		GLS 2 Door	1
28888	Trim Panel R.H., Rear Side Upper, Grey		GLS 3 Door	1
28889	Trim Panel L.H., Rear Side Upper, Grey		GLS 3 Door	1
28890	Trim Panel R.H., Rear Side Lower, Grey	43	GLS 2 & 3 Door	1
28891	Trim Panel L.H., Rear Side Lower, Grey		GLS 2 & 3 Door	1
28892	Trim Panel R.H., Rear Quarter, Grey	44	GLS 3 Door	1
28893	Trim Panel L.H., Rear Quarter, Grey		GLS 3 Door	1
28894	Trim Panel R.H., Rear Quarter, Grey		GLS 2 Door	1
28895	Trim Panel L.H., Rear Quarter, Grey		GLS 2 Door	1
28958	Interior Mirror - Self Adhesive	45) Alternatives	1
28959	Interior Mirror - Self Adhesive)	1
21868	Ashtray	46		1
53171S	Screw, Ashtray Securing	47		2
26847	Sun Visor R.H., Plain	48		1
27101	Sun Visor L.H. with Mirror	49	GLS Models	1
53172S	Screw, Visor to Body R.H.	50		2
16043	Insert, Visor to Body R.H.	51		2
53172S	Screw, Visor to Body L.H.		GLS Models	2
16043	Insert, Visor to Body L.H.		GLS Models	2
27612	Knob, Gear Lever) Alternatives	1
27613	Knob, Gear Lever)	1
54629B	Locknut for 27613 Only			1
4687	Grommet, Gear Lever	52		1
8371	Anti-Draught Pad, H.B. Lever	53		1
21565	Steering Wheel Glove	54		1
19268	Lace, for Glove			10ft

continued overleaf-

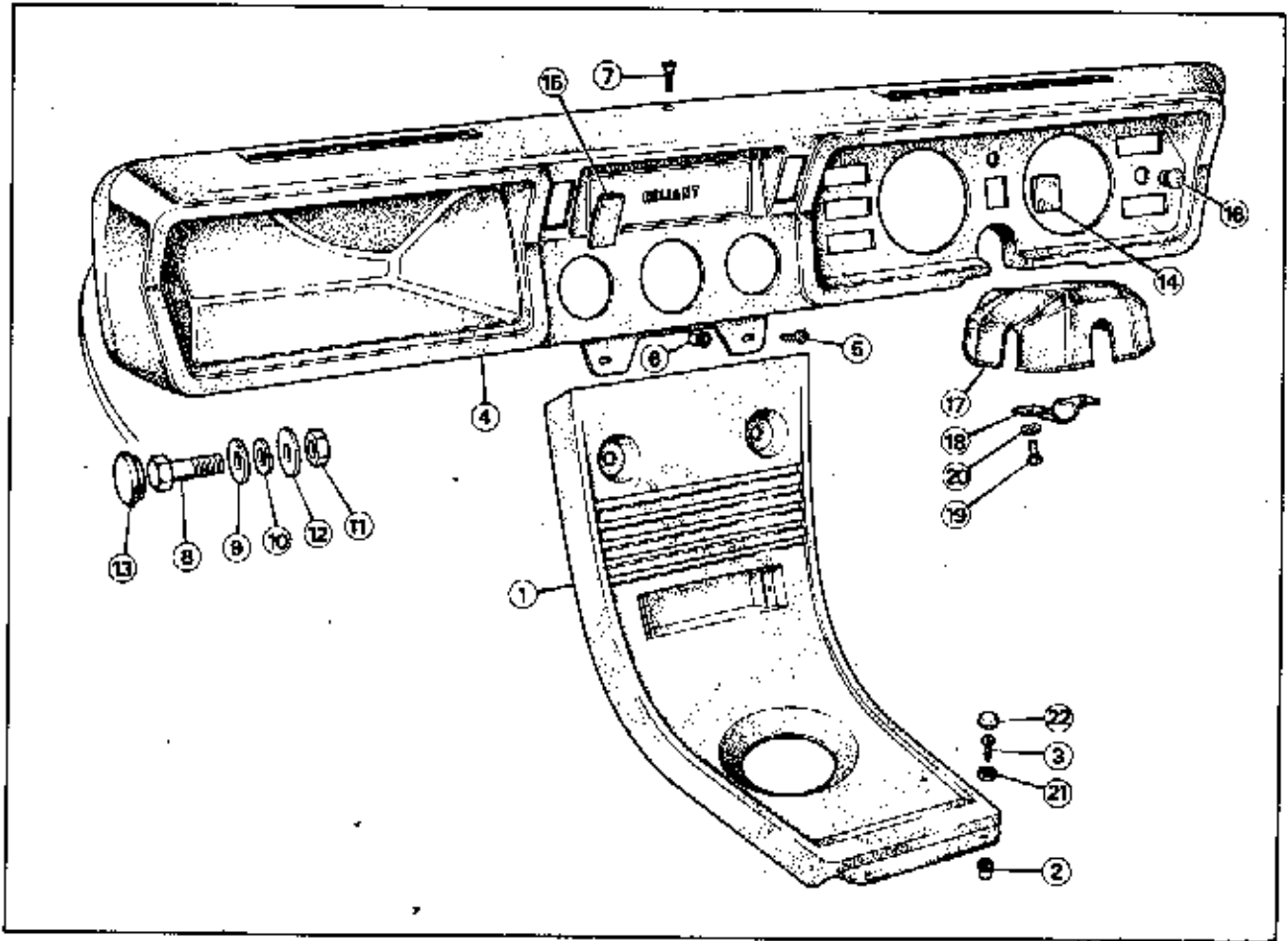


Interior — Carpets and trim



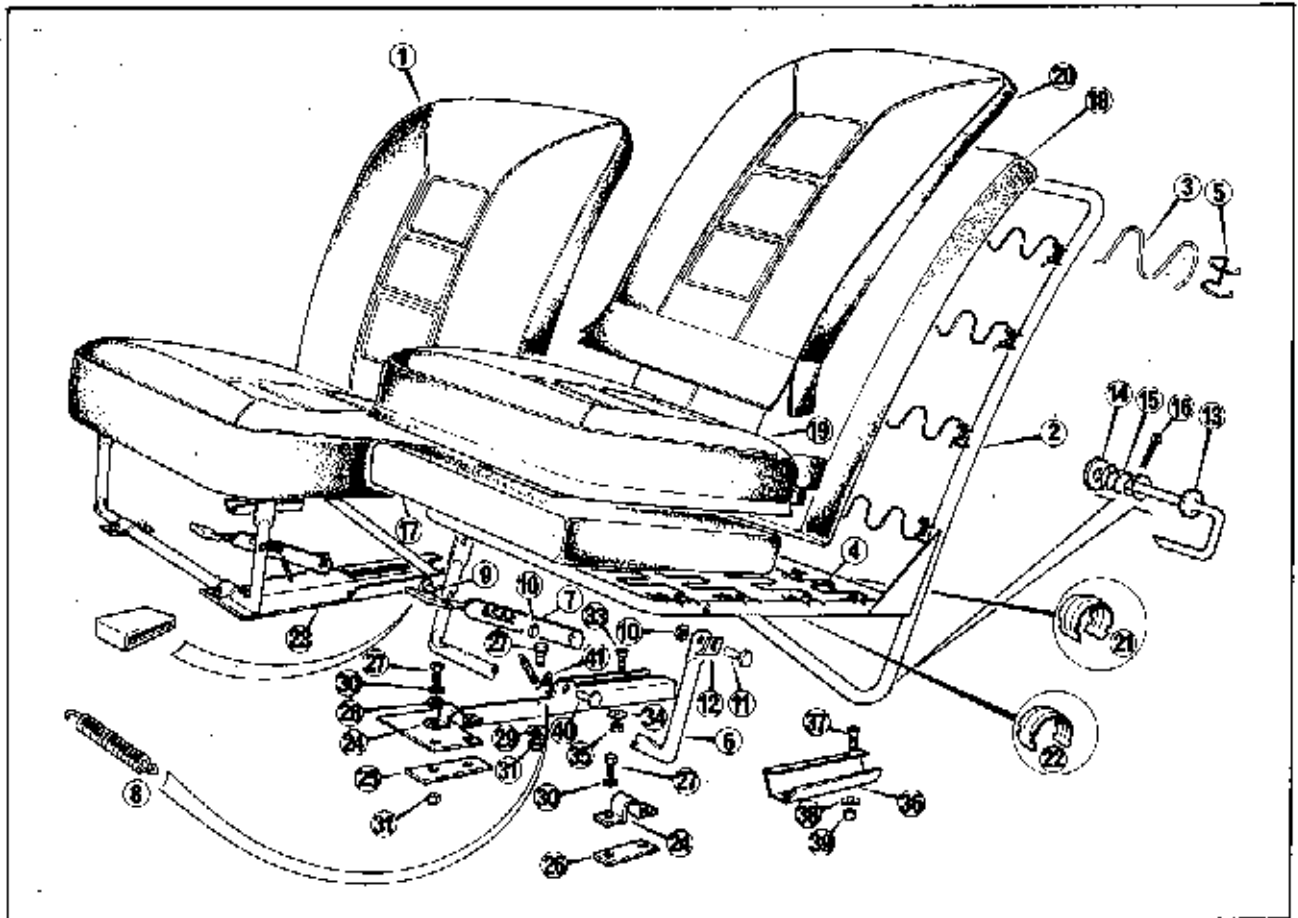
PART NO.	DESCRIPTION	ITEM REMARKS	QTY.
INTERIOR - CARPETS & TRIM continued:-			
29585	Rear Parcel Tray, assembly	2 door GLS models not illustrated	1
29587	Catch	1
23463	Rivet, catch to tray	2
51160B	Washer, catch to tray	2
29591	Velcro (hook)	1
23463	Rivet, Velcro to tray	2
51160H	Washer, Velcro to tray	2
29588	Stud, Rear Parcel Tray securing	1
58705	Bolt, stud to body	1
58931B	Washer, stud to body	3
58961B	Spring washer, stud to body	1
29589	Spare Wheel Cover assembly, parcel tray support	1
29590	Support bracket	1
54177K	Rivet, support bracket to cover	2
29592	Velcro (loop)	1
23463	Rivet, Velcro to cover	2
51160B	Washer, Velcro to cover	2
53172T	Screw, cover to body	2
16043	Insert, cover to body	2
52134B	Screw, rear seat abutment bracket to body	Replaces 51851B Screw - rear seat abutment (IH) when parcel tray is fitted	2

Interior - Fascia



PART NO.	DESCRIPTION	ITEM	REMARKS	QTY.
INTERIOR - FASCIA				
28784	Centre Console Assy. with Insulation	1	1
16043	Insert, Console to Body	2	2
53172T	Screw, Console to Body	3	2
28986	Fascia	4	Standard Models	1
28987	Fascia		GLS Models	1
23110	Insulation, Fascia to Body		Bulk only	4Ft
53172T	Screw, Fascia to Body Front	5	2
16043	Insert, Fascia to Body Front	6	2
53256T	Screw, Fascia to Body Top	7	1
51522B	Bolt, Fascia Side to Body	8	2
51133B	Washer, Fascia Side to Body	9	2
51203B	Spring Washer, Fascia Side to Body	10	2
50683B	Nut, Fascia Side to Body	11	2
23146	Spacing Washer Fascia Side to Body	12	AR
23057	Blanking Grommet, Side Access	13	2
28988	Blanking Plug, Grey Rectangular	14	AR
28989	Blanking Plug, Grey Round	15	AR
29002	Cover, Multiswitch	16	1
29319	Clamp Plate, Cover	17	1
52122B	Screw, Cover and Clamp to Body	18	2
51200B	Spring Washer, Cover and Clamp to Body	19	2
27752	Washer, Console to Body	20	2
27753	Washer, Console to Body	21	2
27753	Snap Cap, Console to Body	22	2

Interior — Front seats



PART NO.	DESCRIPTION	ITEM	REMARKS	QTY.
INTERIOR FRONT SEATS				
N.B. QUANTITIES ARE PER SEAT.				
28870	Front Seat Assy. R.R. PVC	1	Standard Models	1
28871	Front Seat Assy. L.H. PVC	1	Standard Models	1
28872	Front Seat Assy. R.H. Fabric	1	GLS Models	1
28873	Front Seat Assy. L.H. Fabric	1	GLS Models	1
23685	Frame	2	1
22265	Serpentine Spring, Squab	3	4
22266	Serpentine Spring, Cushion	4	4
22267	Clip, Spring Retaining	5	16
21475	Front Leg	6	1
21478	Arm, Adjuster Lock	7	1
21791	Spring, Adjuster	8	1
11074	Rivet, Adjuster to Frame	9	3
11262	Cap, Ratchet Plate, Adj. and Front Leg to Frame	10	3
11818	Rivet, Front Leg to Frame	11	2
51131B	Spacing Washer, Leg to Frame	12	2
23686	Release Catch Assy., R.H.	13	1
23687	Release Catch Assy., L.H.	1	1
51130B	Washer, Release Catch	14	1
13150	Spring, Release Catch	15	1
53807B	Split Pin, Release Catch	16	1
21793	Padding, Cushion	17	1
21794	Padding, Squab	18	1
28900	Cover PVC, Cushion Grey	19	Standard Models	1
28901	Cover Fabric, Cushion Grey	1	GLS Models	1
28902	Cover PVC, Squab Grey	20	Standard Models	1
28903	Cover Fabric, Squab Grey	1	GLS Models	1
19262	Clip, Cover to Frame	21	6
4789	Clip, Cover to Frame	22	8

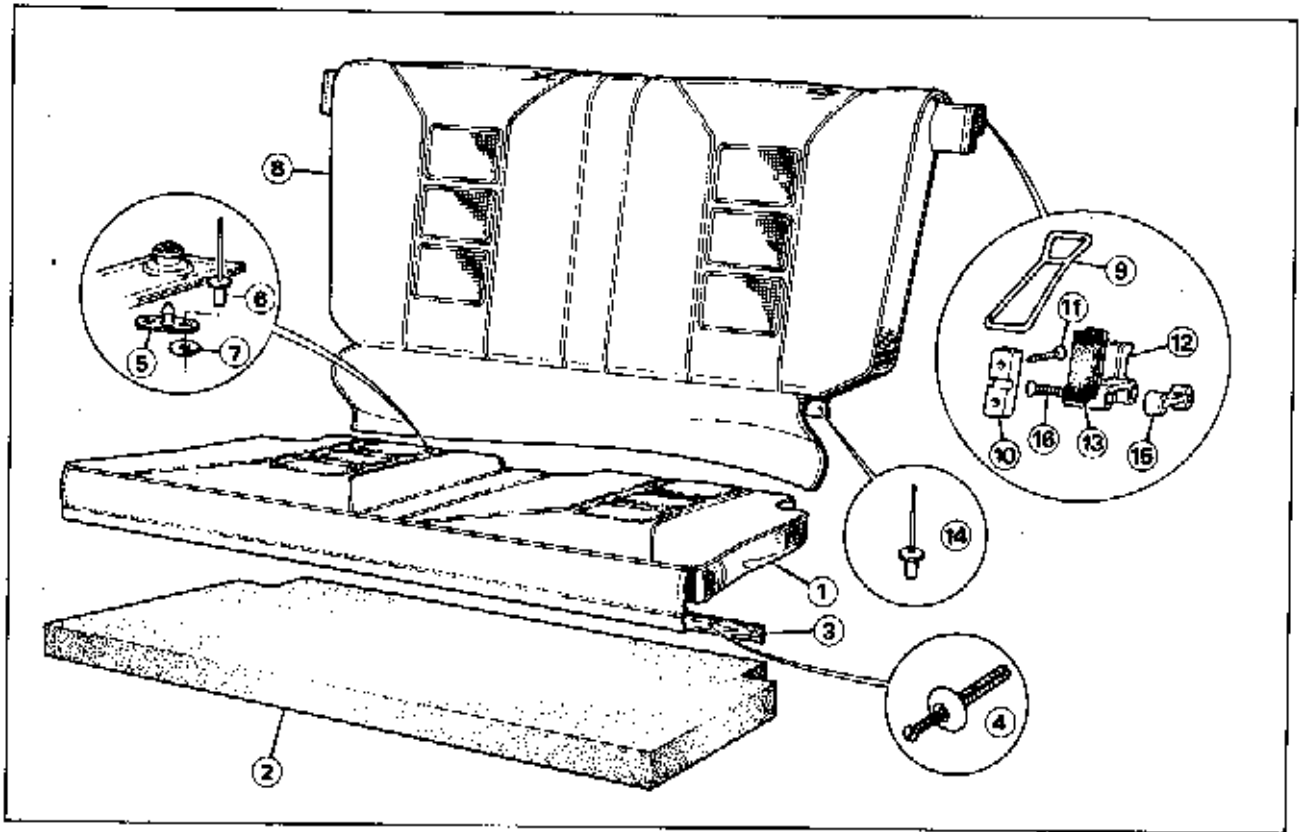
Continued overleaf:-



Interior — Front seats

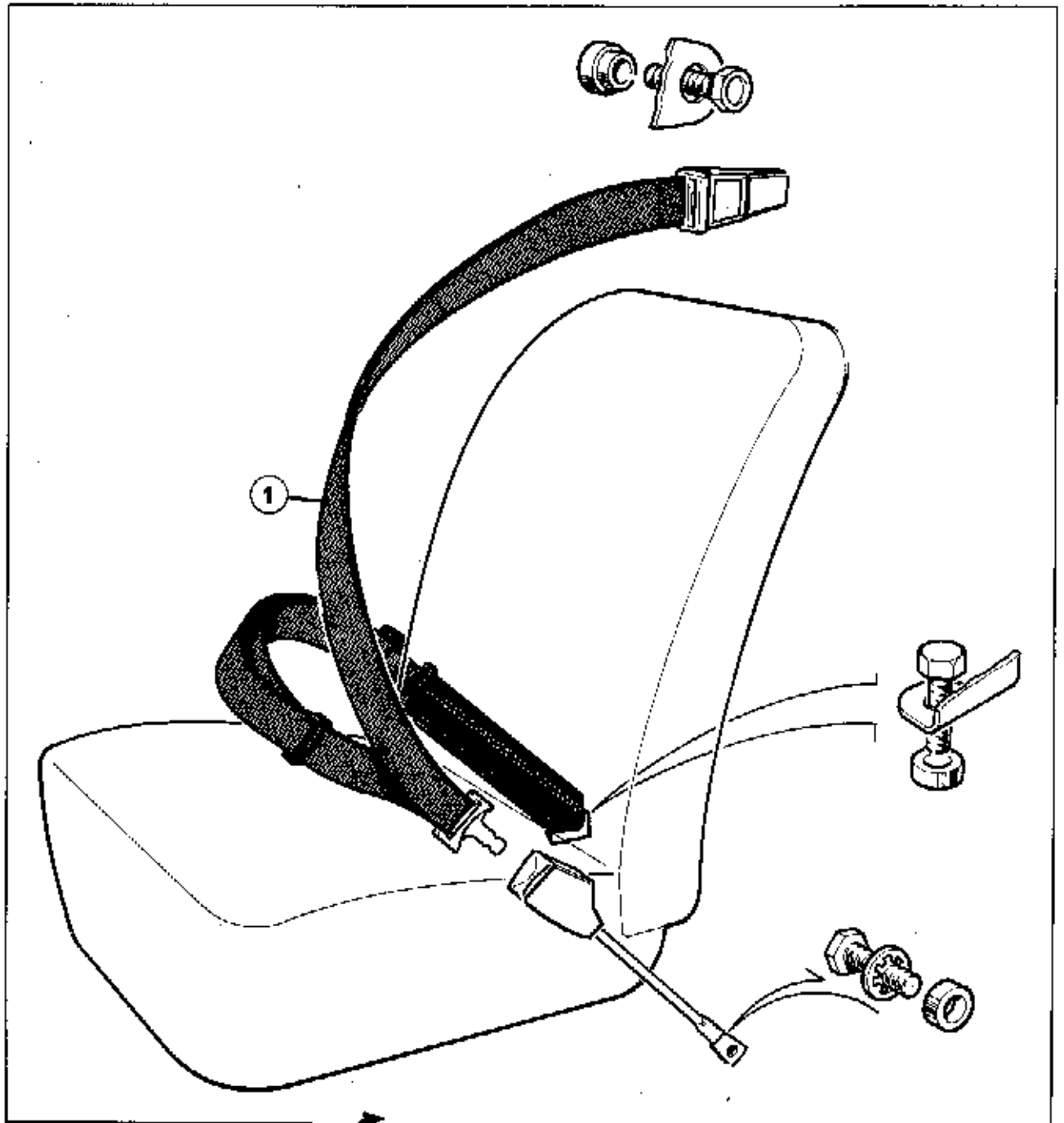
PART NO.	DESCRIPTION	ITEM	REMARKS	QTY.
INTERIOR - FRONT SEATS continued:-				
21809	Mounting Plate, R.H. Seat	23	1
21810	Mounting Plate, L.H. Seat	1
11798	Saddle Clip	24	2
11268	Packing Plate	25	1
9749	Packing Plate, Outer Saddle Clip	26	1
51444B	Setscrew, Clip and Plate to Body	27	5
51131B	Washer, Clip and Plate to Body	28	2
28355	Coachwasher, Clip and Plate to Body	29	1
51201B	Spring Washer, Clip and Plate to Body	30	2
51001B	Nut, Clip and Plate to Body	31	3
23010	Nut Insert, Clip and Plate to Body	32	2
51082Q	Screw, Mounting Plate to Body Rear	33	2
28354	Coachwasher, Mounting Plate to Body Rear	34	2
51000B	Nut, Mounting Plate to Body Rear	35	2
27021	Channel, Seat Slide Outer	36	1
51844Q	Screw, Channel to Body	37	2
28354	Coachwasher, Channel to Body	38	2
51000B	Nut, Channel to Body	39	2
11073	Rivet, Adjuster to Channel	40	1
11852	Cap, Rivet Securing	41	1

Interior - Rear seats



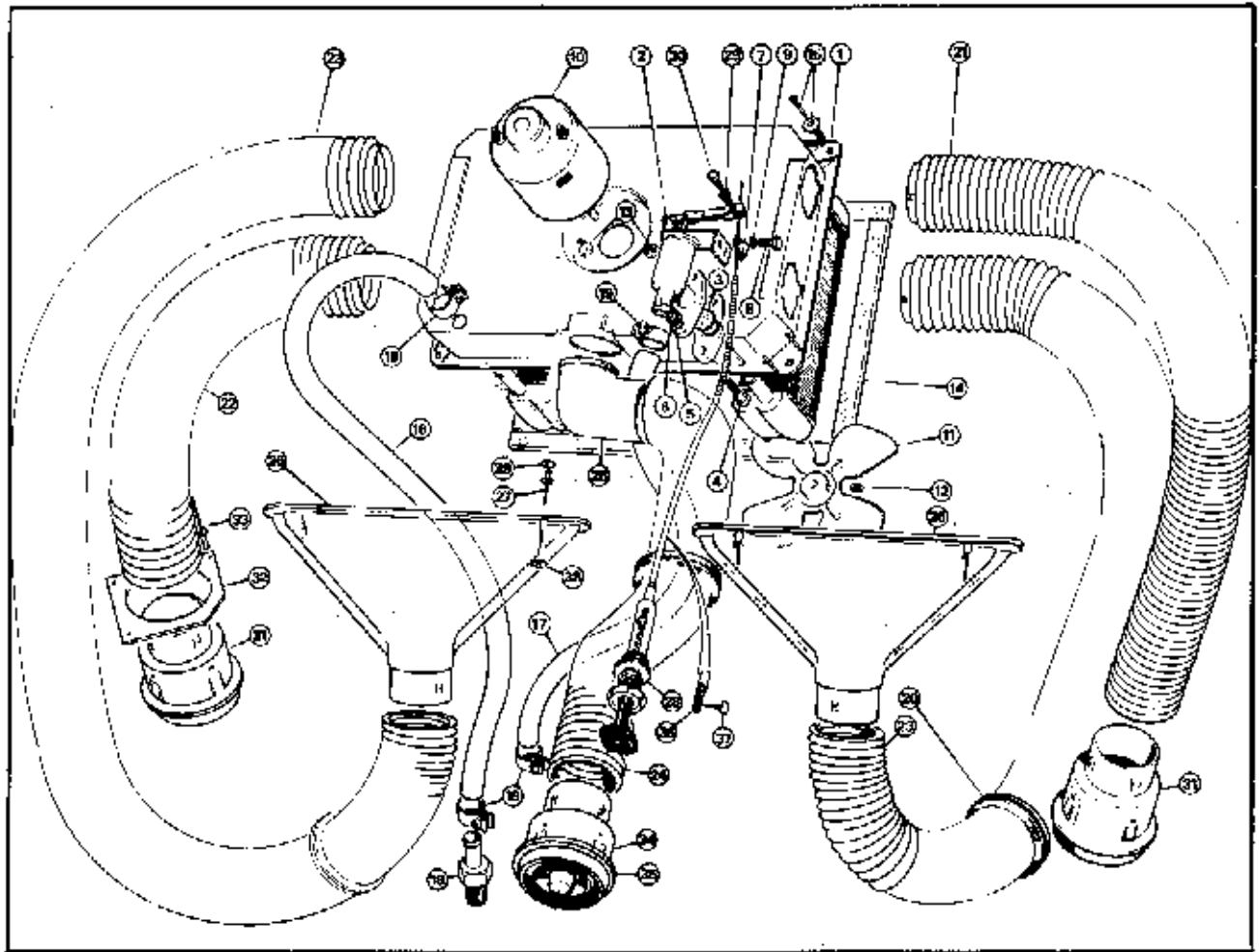
PART NO.	DESCRIPTION	ITEM	REMARKS	QTY.
INTERIOR - REAR SEATS 2 & 3 DOOR				
28874	Cushion Assy., Rear PVC Facing		Standard Models	1
28875	Cushion Assy., Rear Fabric Facing		GLS Models	1
28929	Cover, Cushion PVC	1	Standard Model	1
28930	Cover, Cushion Fabric		GLS Models	1
19312	Eyelet			3
19313	Stud			3
21823	Padding, Cushion	2		1
24653	Retaining Strip	3		1
20439	Tapit Fixing, Cushion to Body	4		5
210699	Double Screw Base Peg, Strap to Body	5		2
54169K	Rivet, Base Peg Securing	6		4
51160B	Washer, Base Peg Securing	7		4
28876	Squab Assy., Painted Backboard - PVC	8	Standard	1
28879	Squab Assy., Carpeted Backboard - Fabric		GLS Models	1
21833	Padding, Squab			1
28918	Cover Squab, PVC Facing		Standard Models	1
28919	Cover Squab, Fabric Facing		GLS Models	1
211136	Gimp Pin 3/4" Black			AR
9992	Staple Cover to Board			AR
27012	Strap, Backboard to Body	9		2
26245	Retainer Strap	10		2
53096Q	Screw, Retainer to Backboard	11		4
28920	Cover, Backboard - Gray Carpet		GLS Models	1
27014	Abutment Assy, with Buffer			2
27013	Abutment	12		2
27015	Buffer	13		2
21319	Rivet Squab Hinge to Body	14		6
27020	Spacer, Abutment to Body	15	Alternatives	4
22269	Spacer, Abutment to Body)	2
51851B	Screw, Abutment and Spacer to Body	16		4
92933	Rear Parcel Tray		see Section R1	

Interior — Seat belts



PART NO.	DESCRIPTION	ITEM REMARKS	QTY.
27911	INTERIOR - SEAT BELTS FRONT Kit Seat Belt	1	2

Heater



PART NO.	DESCRIPTION	ITEM	REMARKS	QTY.
HEATER				
25538	Heater Unit C/W Water Valve			1
24172	Case	1		1
90559	Valve	2		1
90560	Seal, Valve to Case	3		1
51442B	Screw, Valve to Heater*	4		2
512016	Lockwasher, Valve to Case	5		2
50681B	Nut, Valve to Case	6		2
90561	Clamp, Outer Cable to Valve	7		1
51240B	Screw, Clamp to Valve	8		1
51420	Lockwasher, Clamp to Valve	9		1
24173	Motor, Fan	10		1
24174	Fan	11		1
90564	Screw, Fan to Spindle	12		1
50680B	Nut, Motor to Case	13		2
23110	Seal, Heater Unit to Body	14		1
21073	Tappit Fixing, Unit to Body	15		4
25536	Water Hose, Heater to Head	16	30 inches	1
25539	Water Hose, Heater to Pump	17	17 inches	1
23339	Adaptor, Hose to Cylinder Head	18		1
54762B	Clip, Water Hose	19		4
21934	Grommet, Air Hose	20		4
27519	Air Hose, Footwell R.H.	21	33 inches	1
25542	Air Hose, Footwell L.H.	22	18 inches	1
25540	Air Hose, Demister	23	24 inches	2
25537	Air Hose, Fascia Nozzle	24	25 inches	
25546	Elbow, Fascia Hose	25		1

continued overleaf.



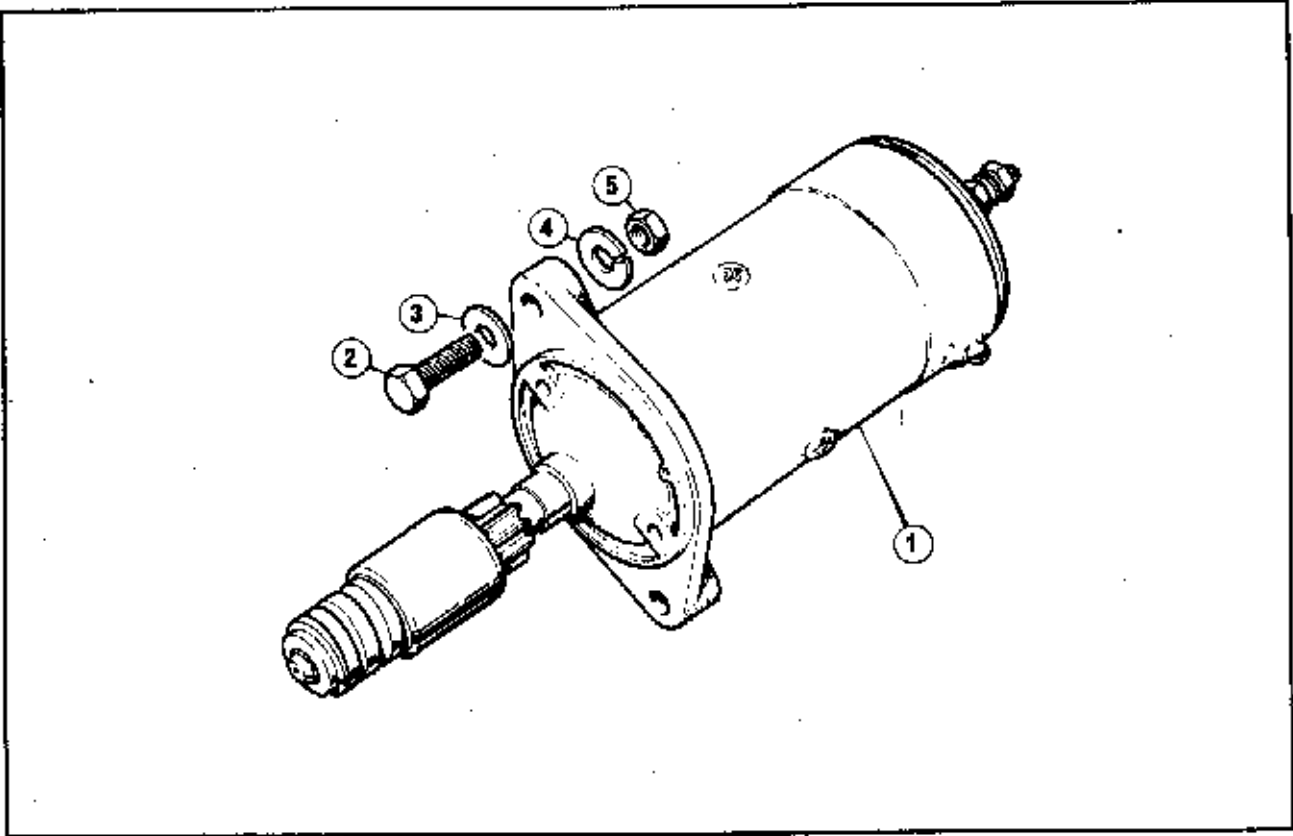
Heater



PART NO.	DESCRIPTION	ITEM	REMARKS	QTY.
HEATER continued:-				
23827	Demister	26	2
23463	Rivet, Demister to Body	27	4
27288	Heater Control Cable	28	1
21377	Trunnion, Cable to Valve	29	1
18377	Screw, Trunnion Retaining	30	1
22234	Air Vent Nozzle, Footwell	31	2
23336	Mounting Plate, Footwell Nozzle	32	1
54169K	Rivet, Mounting Plate to Body	33	3
25434	Air Vent Nozzle, Fascia	34	1
25435	Retainer, Fascia Vent	35	1
3874	'P' Clip, Control Cable Securing	36	1
53171S	Screw, 'P' Clip to Body	37	1
57480	Sealant, Mounting Plate to Body	AR
51160B	Washer, Demister to Body	38	4
217524	Cap for Rivet	39	4

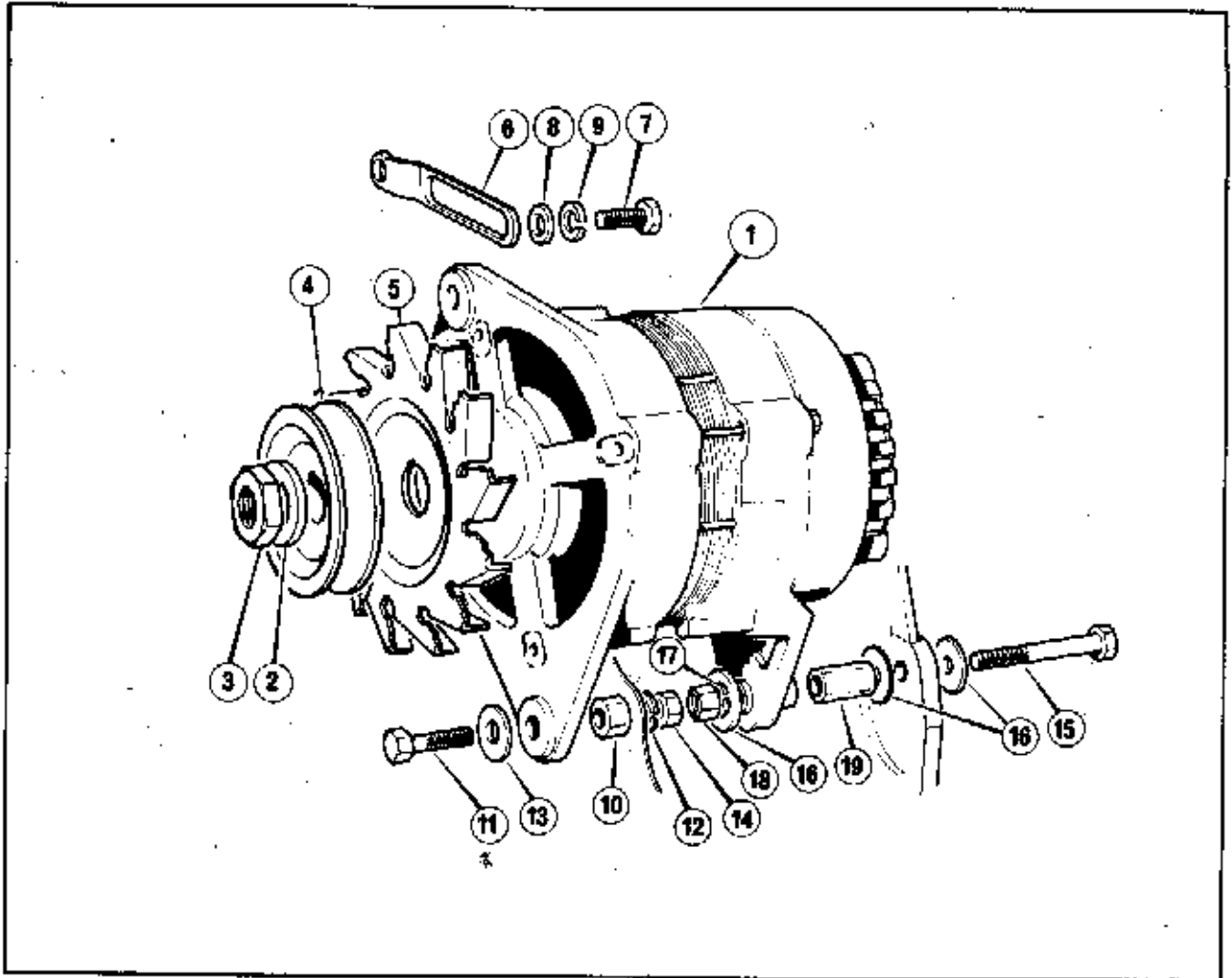


Electrics – Starter motor



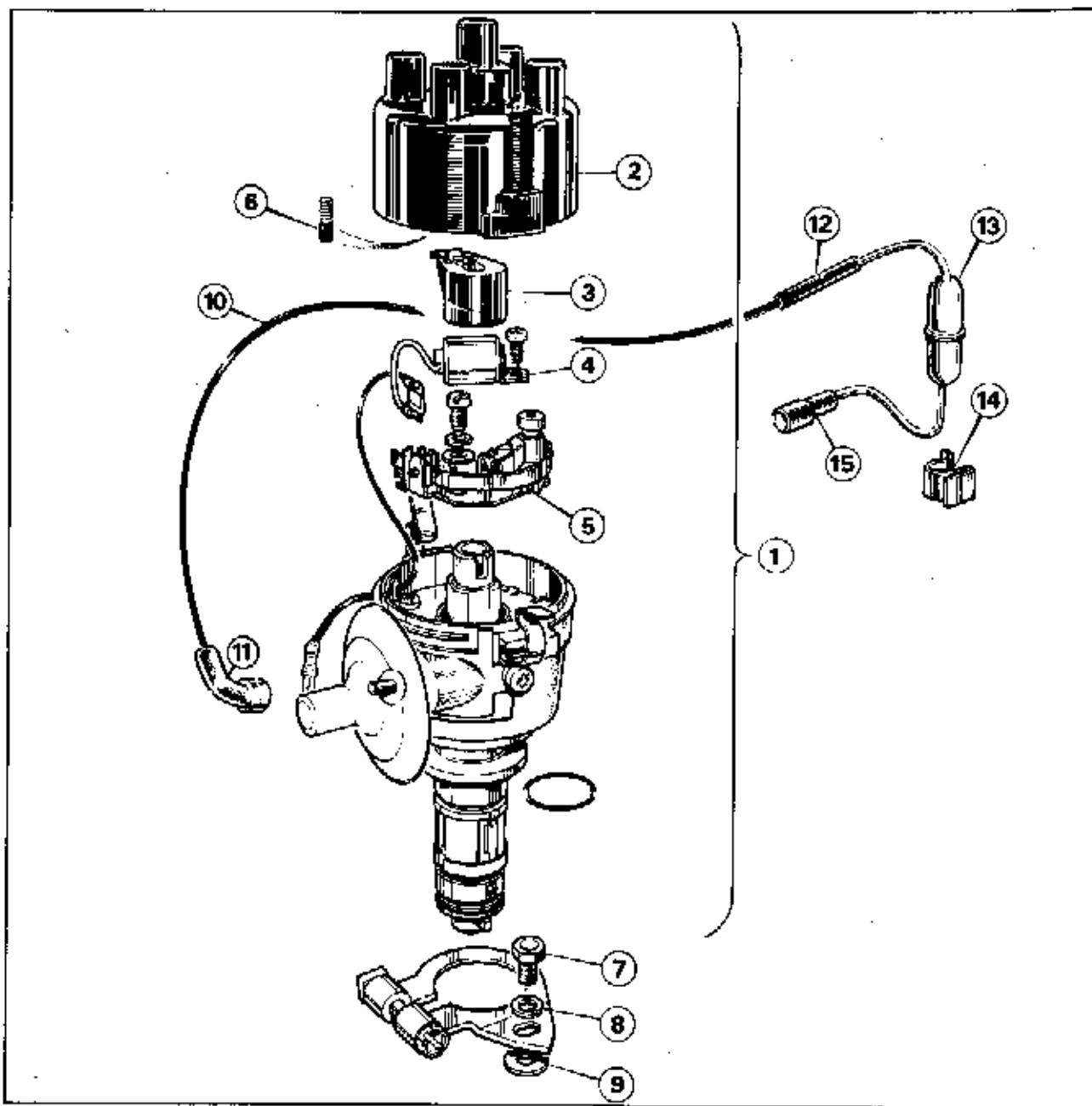
PART NO.	DESCRIPTION	ITEM	REMARKS	QTY.
ELECTRICS - STARTER MOTOR				
12293	Starter Motor	1	1
12293X	Starter Motor, Reconditioned		Exchange	1
50084B	Bolt, Motor Securing	2	2
51133B	Washer, Motor Securing	3	2
51203B	Lockwasher, Motor Securing	4	2
50683B	Nut, Motor Securing	5	2

Electrics - Alternator



PART NO.	DESCRIPTION	ITEM	REMARKS	QTY.
ELECTRICS - ALTERNATOR				
37402	Alternator Complete		Up to Chassis No to be advised	1
92159	Alternator Less Pulley and Fan	1	Exchange	1
90748	Washer, Pulley Retaining	2		1
90749	Nut, Pulley Retaining	3		1
90747	Pulley	4		1
90746	Fan	5		1
26279	Alternator Complete		From Chassis No to be advised	1
92932	Alternator, Less Pulley	1	Exchange	1
92922	Kit, Pulley and Fittings			1
12795	Strap, Alternator Adjusting	6		1
12976	Bolt, Strap to Alternator	7		1
5584	Washer, Strap to Alternator	8		1
51202B	Lockwasher, Strap to Alternator	9		1
12796	Spacer, Front Lower Fixing	10		1
50044B	Bolt, Front Lower Fixing	11		1
51202B	Lockwasher, Front Lower Fixing	12		1
51132B	Washer, Front Lower Fixing	13		1
50682B	Nut, Front Lower Fixing	14		1
50050B	Bolt, Rear Fixing	15		1
51132B	Washer, Rear Fixing	16		3
51202B	Lockwasher, Rear Fixing	17		1
50682B	Nut, Rear Fixing	18		1
12797	Spacer, Rear Fixing	19		1

Electrics — Distributor



PART NO.	DESCRIPTION	ITEM	REMARKS	QTY.
ELECTRICS - DISTRIBUTOR				
29144	Distributor	1	1
	Cover	2	1
	Rotor Arm	3	1
	Capacitor	4	1
92924	Contact Set	5	1
	Brush and Spring	6	1
514608	Screw, Distributor Securing	7	1
512018	Lockwasher, Distributor Securing	8	1
511318	Washer, Distributor Securing	9	1
25368	Vacuum Advance Pipe. Assy.	1
25123	Pipe, Fuel Trap to Distributor	10	1
25055	Elbow	11	1
25125	Sleeve	12	1
25122	Fuel Trap	13	1
26182	Clip, Trap Securing	14	1
25367	Reduction Sleeve, Trap to Carb.	15	1

continued overleaf:-

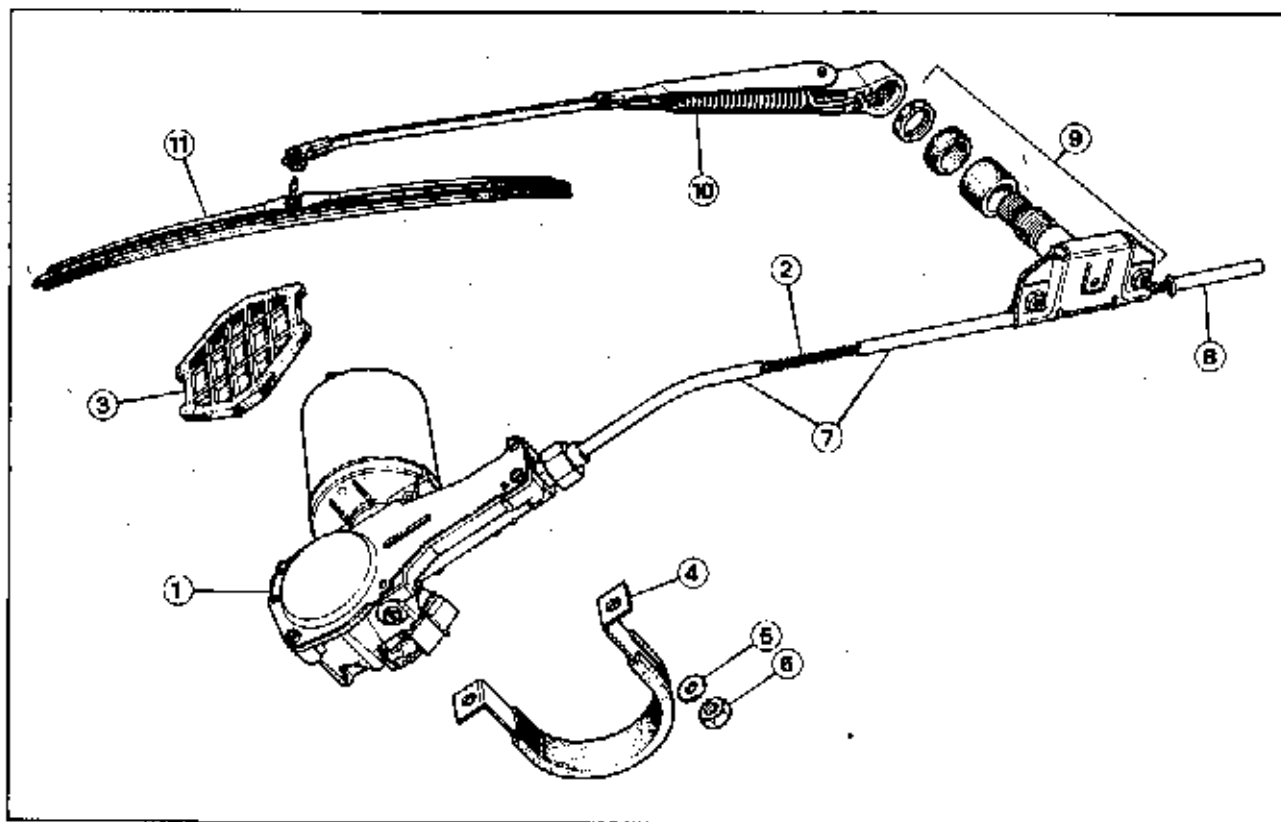


Electrics - Distributor



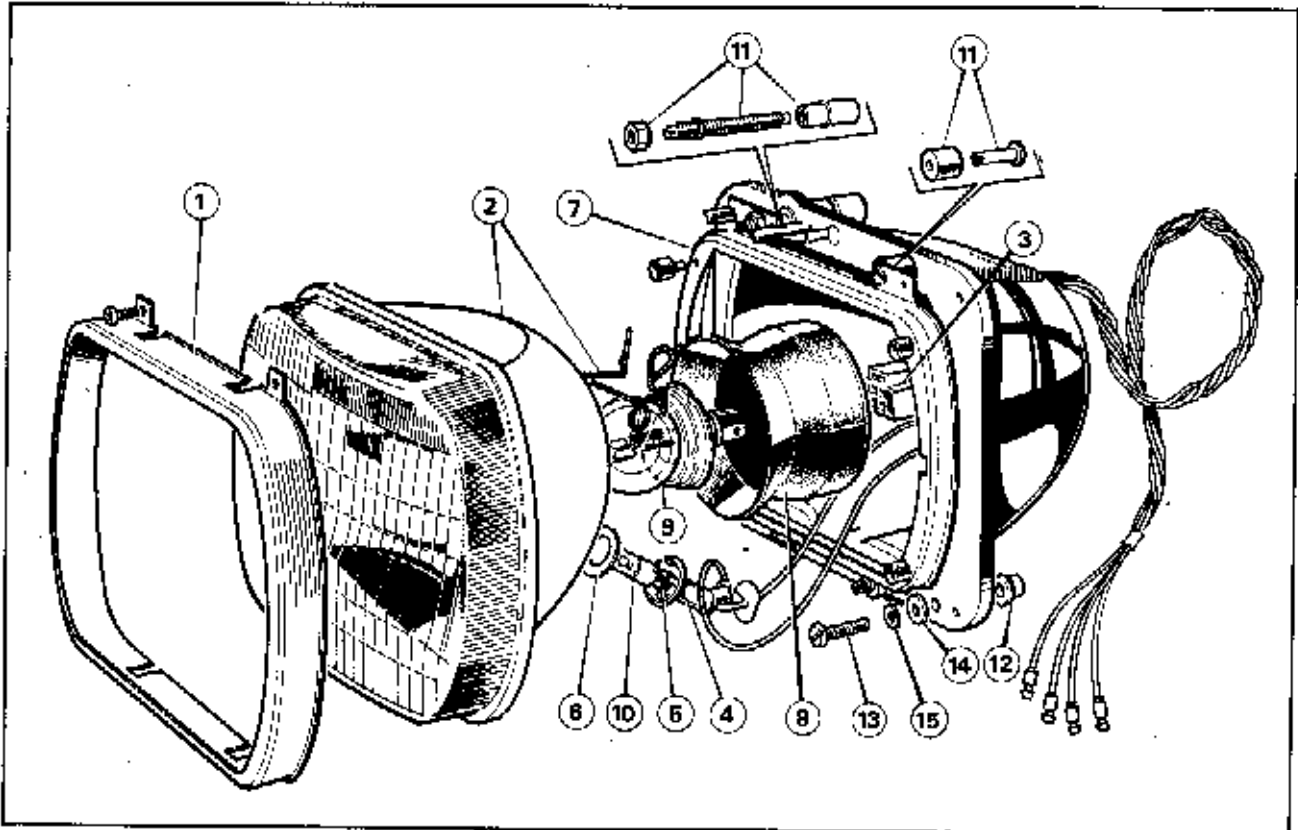
PART NO.	DESCRIPTION	ITEM	REMARKS	QTY.
ELECTRICS - DISTRIBUTOR continued:-				
22976	Set H.T. Leads)		1
22977	Plug Lead No.1)		1
22978	Plug Lead No.2)	See Section	1
22979	Plug Lead No.3)	T, 13	1
22980	Plug Lead No.4)		1
22981	Lead Distributor to Coil)		1
23033	Sparking Plug)	4

Electrics – Wiper installation



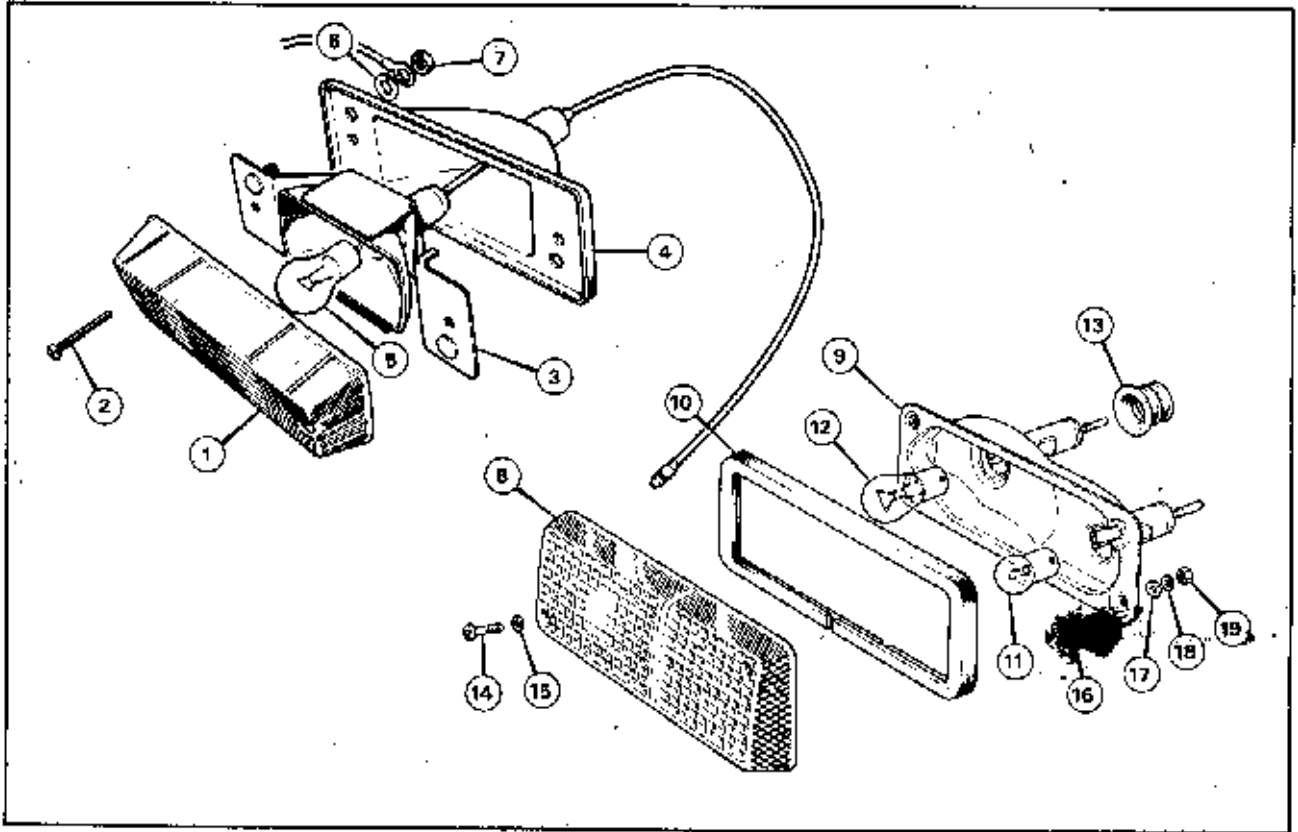
PART NO.	DESCRIPTION	ITEM	REMARKS	QTY.
ELECTRICS- WIPER INSTALLATION				
28321	Wiper Motor Assy: with Rack, Strap and Pad		N.S.P.	1
	Wiper Motor Less Rack and Gear	1	Exchange	1
	Rack	2		
	Gear			
205564	pad	3		
205563	Strap	4		
51131B	Washer, Wiper Motor Securing	5		2
51001B	Nut, Wiper Motor Securing	6		2
21157	Bundy, Motor to Wheelbox	7		1
5444	Bundy, Overrun	8		1
24977	Wheelbox (32 Teeth)	9		1
213043	Wiper Arm	10		1
213041	Wiper Blade	11	14" Long	1
92521	Wiper Blade Rubbers (Pair)		14" Long	

Electrics - Headlamps



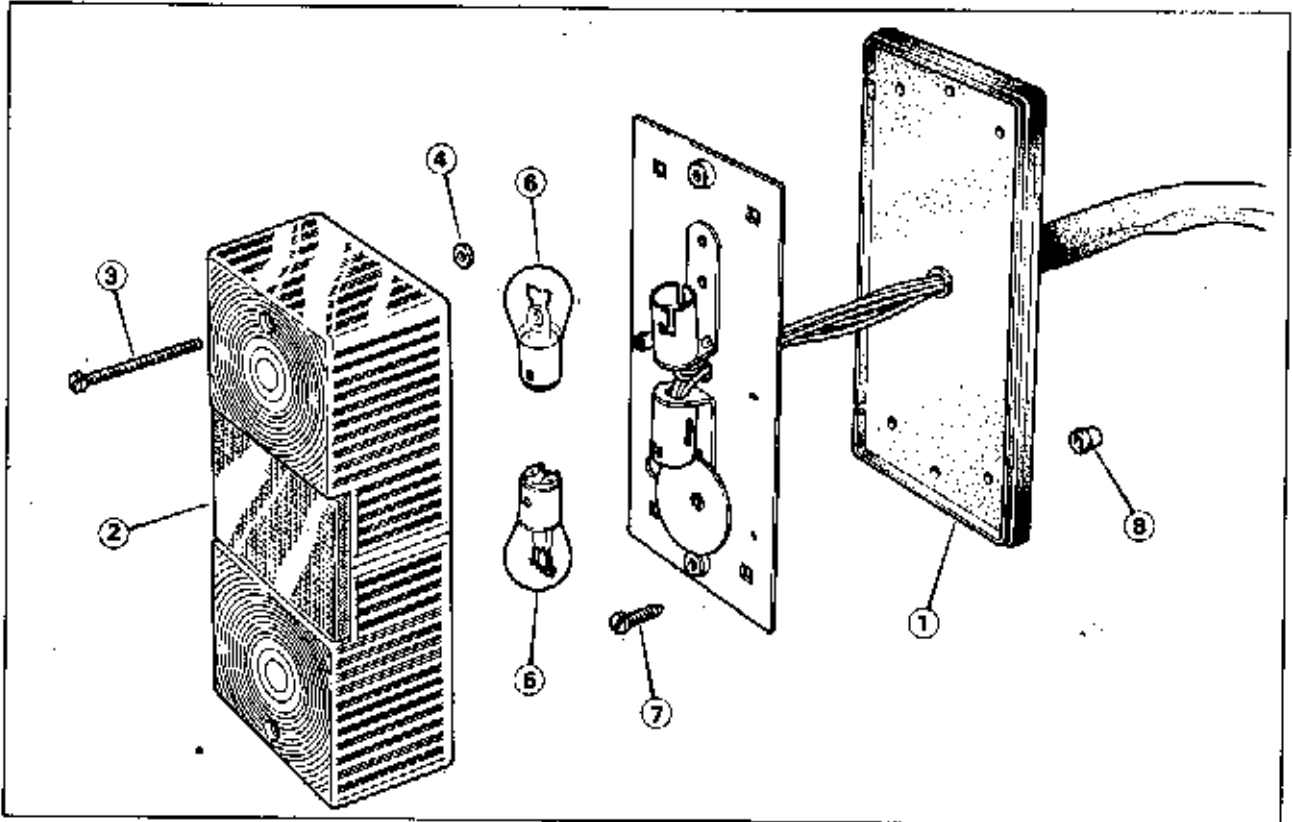
PART NO.	DESCRIPTION	ITEM	REMARKS	QTY.
ELECTRICS - HEADLAMPS				
27297	Headlamp Assy., C/W Pilot			2
13252	Rim, Light Unit Retaining	1		2
92020	Light Unit	2		2
205126	Adaptor	3		2
17354	Bulb Holder, Pilot	4		2
17743	Interior, Pilot Bulb Holder	5		2
17356	Ring, Pilot Bulb Holder	6		2
13225	Rim, Unit Seating	7		2
92021	Cover, Bulb	8		2
17622	Bulb, Main	9		2
17110	Bulb, Pilot	10		2
91787	Trimmer, Screw Kit	11		2
213819	Rivet, Headlamp to Body		Replaces items illustrated 12-15 GCS	8
28342	Headlamp Assy., Non Pilot			1
13252	Rim, Light Unit Retaining	1		1
92926	Light Unit	2		1
205126	Adaptor	3		1
13225	Rim, Unit Seating	7		1
17622	Bulb, 40W. 45W.	9		1
92021	Cover Bulb	8		1
91787	Trimmer Screw Kit	11		1
	Rubber Buffer			4

30677 RIALTO 2 H/LAMP UNIT

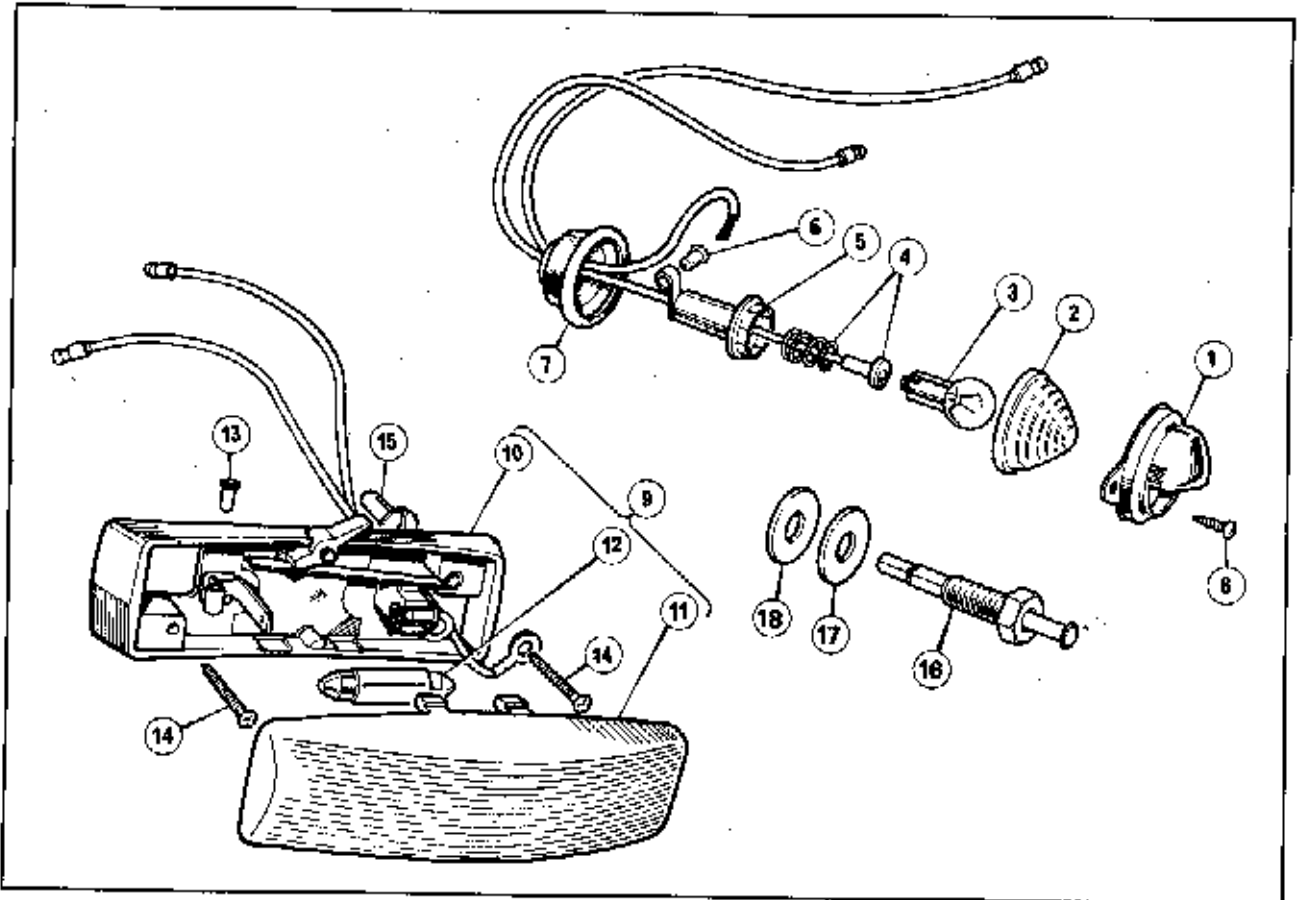


PART NO.	DESCRIPTION	ITEM	REMARKS	QTY.
ELECTRICS - FRONT INDICATOR AND SIDE LAMP				
21527	Direction Indicator Lamp Assy.		Standard	2
91160	Lens, Indicator Lamp	1	2
91161	Screw, Lens Securing	2	4
91162	Interior Bulb Holder	3	2
91163	Body Rubber	4	2
17721	Bulb	5	2
51200B	Lockwasher, Lamp Retaining	6	4
50680B	Nut, Lamp Retaining	7	4
28348	Direction Indicator and Side Lamp Assy. R.H.		G.L.S.	1
28349	Direction Indicator and Side Lamp Assy. L.H.		G.L.S.	1
	Lens, Combination Lamp, R.H.	8	1
	Lens, Combination Lamp, L.H.	1
	Bulb Holder	9	Not Serviced	2
	Seal, Lamp to Body and Lens	10	2
	Bulb, Sidelamp 5 Watt	11	2
	Bulb, Indicator 21 Watt	12	2
	Boot, Contact Protection	13	4
	Screw, Lens to Bulb Holder	14	4
	Washer, Lens to Bulb Holder	15	4
29208	Screw, Combination Lamp to Body	16	4
58930B	Washer, Combination Lamp to Body	17	4
58960B	Springwasher, Combination Lamp to Body	18	4
58870B	Nut, Combination Lamp to Body	19	4

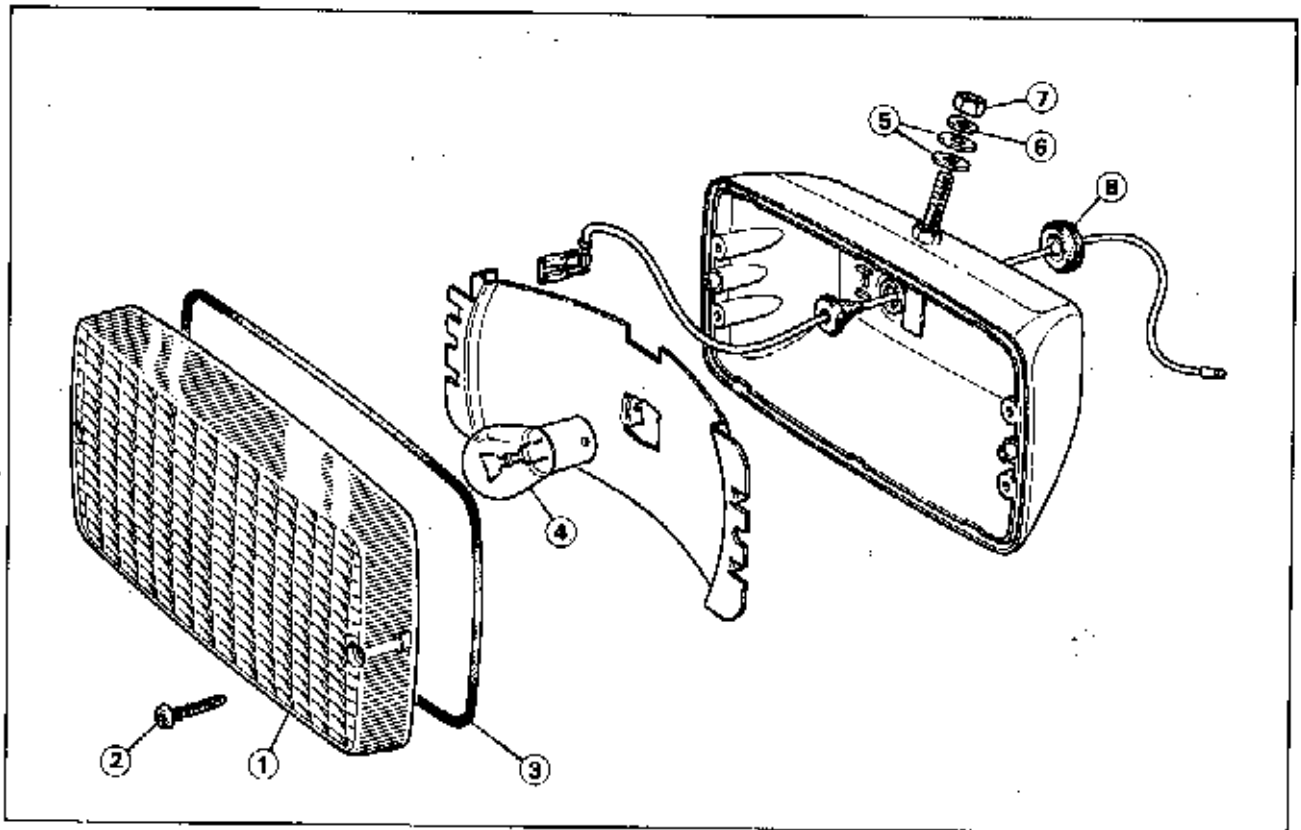
Electrics – Stop tail, indicator lamp



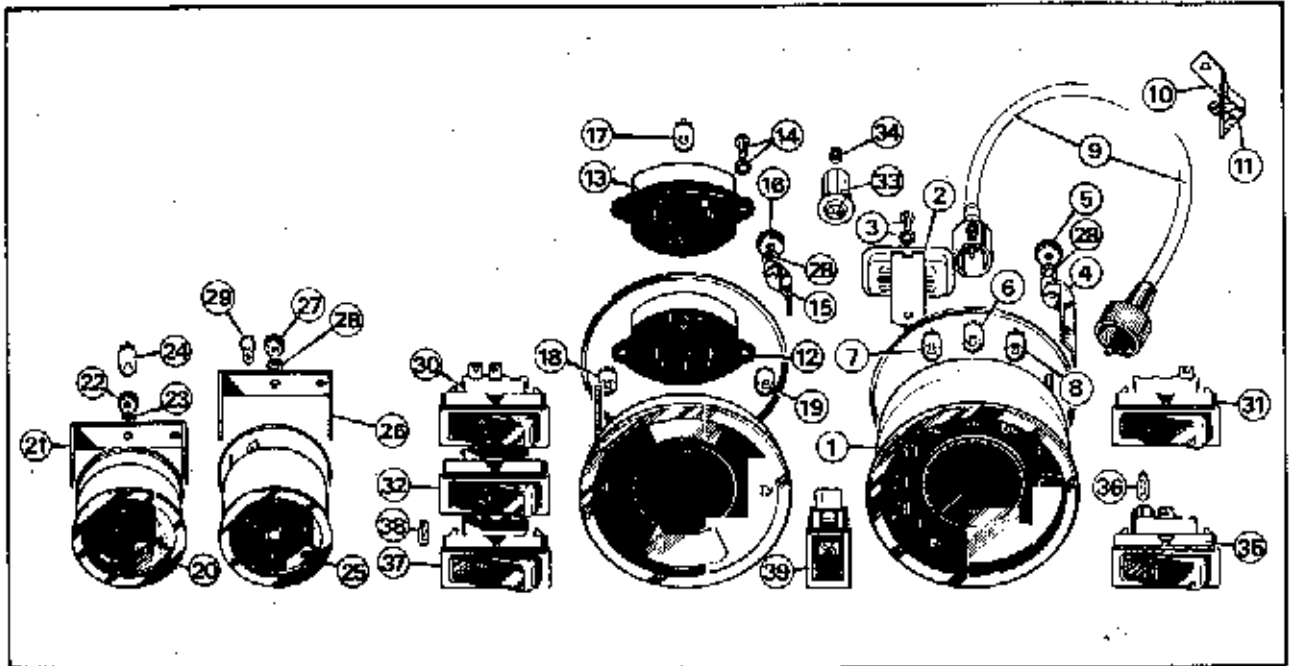
PART NO.	DESCRIPTION	ITEM	REMARKS	QTY.
ELECTRICS - STOP, TAIL, INDICATOR				
28350	Lamp Assy. Stop, Tail, Indicator	2
	Base Plate and Bulb Holder		Not Serviced Sep	2
	Mounting Rubber	1	2
	Lens	2	2
	Screw, Lens to Base Plate	3	4
	Washer, Lens to Base Plate	4	4
17713	Bulb, Stop Tail	5	2
17721	Bulb, Indicator	6	2
21065	Tappit and Screw, Lamp to Body	7	4



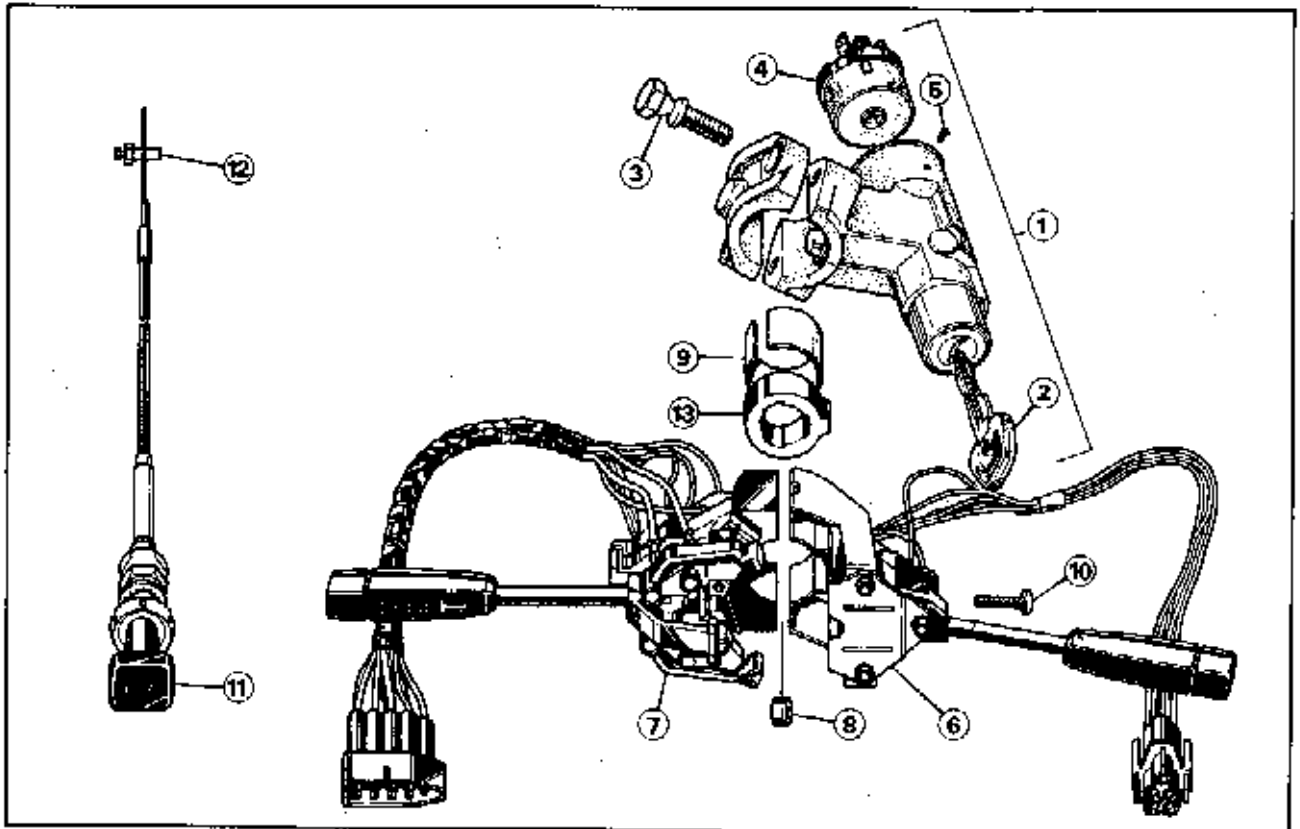
PART NO.	DESCRIPTION	ITEM	REMARKS	QTY.
ELECTRICS - NUMBER PLATE LAMP AND INTERIOR LAMP				
17306	No. Plate Lamp Assy.			1
17741	Bazel	1		1
17742	Glass	2		1
17746	Bulb	3		1
17743	Holder	4		1
17182	Shell	5		1
17745	Terminal	6		1
17744	Body	7		1
53162B	Screw, Lamp to Body	8		2
15477	Interior Lamp C.W. Bulb	9		1
90458	Base	10		1
90459	Lens	11		1
6706	Bulb	12		1
16863	Terminal Sleeve	13		1
53166B	Screw, Lamp to Body	14		2
16043	Insert, Lamp Securing	15		2
212718	Courtesy Switch	16	Standard	1
212718	Courtesy Switch	16	G.L.S.	2
28356	Coachwasher, Courtesy Switch	17		AR
51132B	Washer, Courtesy Switch	18		AR



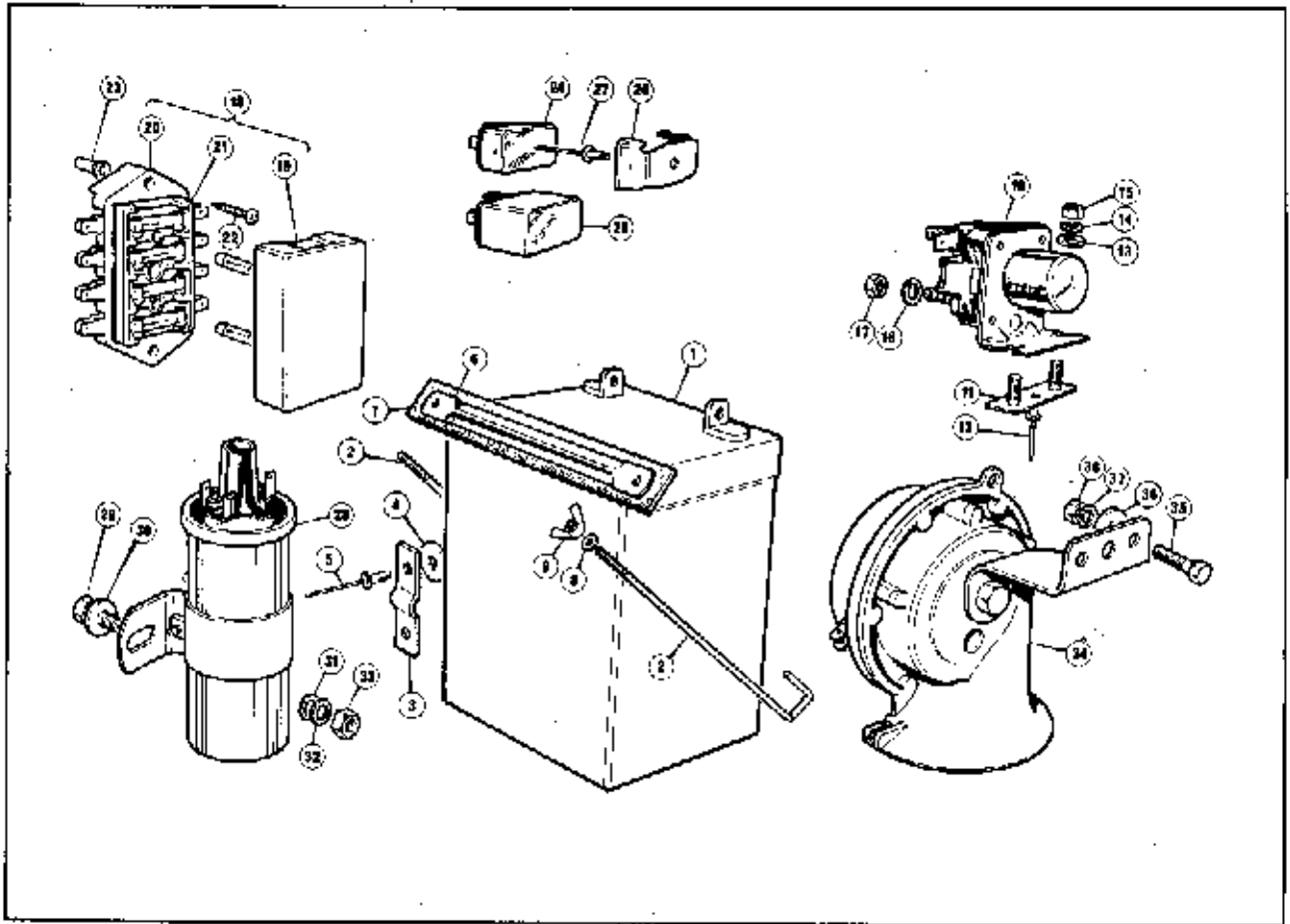
PART NO.	DESCRIPTION	ITEM	REMARKS	QTY.
ELECTRICS - REAR FOG GUARD LAMP				
28351	Lamp, Assy., Rear Fog Guard			1
	Body and Bulb Holder		Not Serviced	1
	Lens	1		1
	Screw, Lens to Body	2		2
	Gasket	3		1
	Bulb, 12v. 21w.			1
58931B	Washer, Lamp to Body			2
58961B	Springwasher, Lamp to Body			1
50871B	Nut, Lamp to Body			1
17662	Grommet, Lead Protection			1



PART NO.	DESCRIPTION	ITEM	REMARKS	QTY.
ELECTRICS - INSTRUMENTS AND SWITCHES				
29015	Speedometer, Black Bezel	1	1000 Revs p.mile	1
17272	Stabilizer	2		1
16799	Screw, Stabilizer Retaining	3		1
16896	Clamp, Speedometer Retaining	4		2
27038	Knurled Nut, Clamp	5		2
16761	Bulb, Speedometer Illumination	6		1
16761	Bulb, Main Beam Warning	7		1
16761	Bulb, Direction Indicator	8		1
21046	Flexible Drive Speedo	9		1
90541	Inner Cable, Speedo Drive			1
26941	Bracket, Cable Support	10		1
26942	Clip, Cable Support	11		1
29017	Combined Instrument			
92870	Fuel Gauge	12		1
92871	Temperature Gauge	13		1
16799	Screw and Washer, Gauge Securing	14		4
16796	Clamp, Instrument Securing	15		2
27038	Knurled Nut, Clamp	16		2
16761	Bulb, Instrument Illumination	17		1
16761	Bulb, Ignition Warning	18		1
16761	Bulb, Oil Pressure Warning	19		1
29018	Battery Condition Indicator	20	G.L.S.	1
90462	Clamp, Indicator Securing	21	G.L.S.	1
27038	Nut, Indicator Securing	22	G.L.S.	1
23092	Washer, Indicator Securing	23	G.L.S.	1
16761	Bulb, Indicator Illumination	24	G.L.S.	1
29019	Clock, Quartz	25	G.L.S.	1
90462	Clamp, Clock Securing	26	G.L.S.	1
27038	Knurled Nut, Clock Securing	27	G.L.S.	2
23092	Washer, Clock Securing	28	G.L.S.	2
16761	Bulb, Illumination	29	G.L.S.	1
21936	Switch, Lighting	30		1
21937	Switch, Heater Fan	31		1
25129	Switch, Hazard Warning	32		1
5712	Lens, Hazard Warning Indicator	33		1
17139	Bulb, Hazard Warning Indicator	34		1
22490	Switch, Heated Rear Window	35		1
90457	Bulb, Switch Illumination	36		1
27823	Switch, Rear Fog Guard	37		1
90457	Bulb, Switch Illumination	38		1
26448	Switch, Brake Failure Warning/Test	39		1
91997	Bulb, Switch Illumination		Not illustrated	1

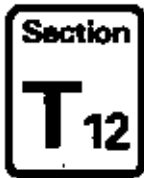


PART NO.	DESCRIPTION	ITEM	REMARKS	QTY.
ELECTRICS - CONTROLS AND COLUMN LOCK				
5344 25040	Ignition Switch and Column Lock Assy.	1	1
25346	Key	2	Quote Serial No	2
91187	Shearbolt	3	2
91186	Ignition Switch	4	1
91185	Screw, Switch Retaining	5	1
28839	Switch, Wiper Motor and Washer	6	1
28838	Switch, Headlamp Flasher and Direction Indicator ..	7	1
28969	Collar, Switch Spacing	8	1
17129	Collar, Switch Spacing	9	1
52145B	Screw, Switch	10	2
25657	Choke Cable	11	1
204700	Trunion with screw, Cable	12	1
12030	Cam - Multi-switch	13	1



PART NO.	DESCRIPTION	ITEM	REMARKS	QTY.
ELECTRICS - GENERAL				
26780	Battery - Dry Charged 7 Plate	1	1
21939	Hook Bolt	2	2
6658	Saddle Plate	3	2
8354	Washer, Saddle Plate Fixing	4	Early Models	4
213819	Rivet, Saddle Plate Fixing	5	4
5997	Strap, Battery Securing	6	1
4712	Insulation, Strap to Battery	7	1
51131B	Washer, Hook Bolt	8	2
21486	Wing Nut, Hook Bolt	9	2
207659	Solenoid, Starter	10	1
21685	Mounting Plate, Solenoid	11	1
54169X	Rivet, Plate to Body	12	1
51130B	Washer, Solenoid Securing	13	1
51200B	Lockwasher, Solenoid Securing	14	1
50688B	Nut, Solenoid Securing	15	1
51202B	Lockwasher, Leads to Solenoid	16	2
17341	Nut, Leads to Solenoid	17	2
23037	Fuse Unit	18	1
16770	Cover, Fuse Unit	19	1
16768	Base, Fuse Unit	20	1
17279	Fuse, 35 Amp	21	6
53175B	Screw, Unit Securing	22	2
16043	Nylon Insert, Unit Securing	23	2
17010	Flasher Unit, Direction Indicators	24	1
208987	Flasher Unit, Hazard Warning	25	1
17011	Clip, Flasher Units Securing	26	2
54176K	Rivet, Clip Securing	27	2
27403	Ignition Coil, Ballasted	28	1
51484B	Setcrew, Coil Securing	29	1
28356	Coachwasher, Coil Securing	30	1
51132B	Washer, Coil Securing	31	1
51202B	Lockwasher, Coil Securing	32	1
50682B	Nut, Coil Securing	33	1

continued overleaf.



Electrics - General



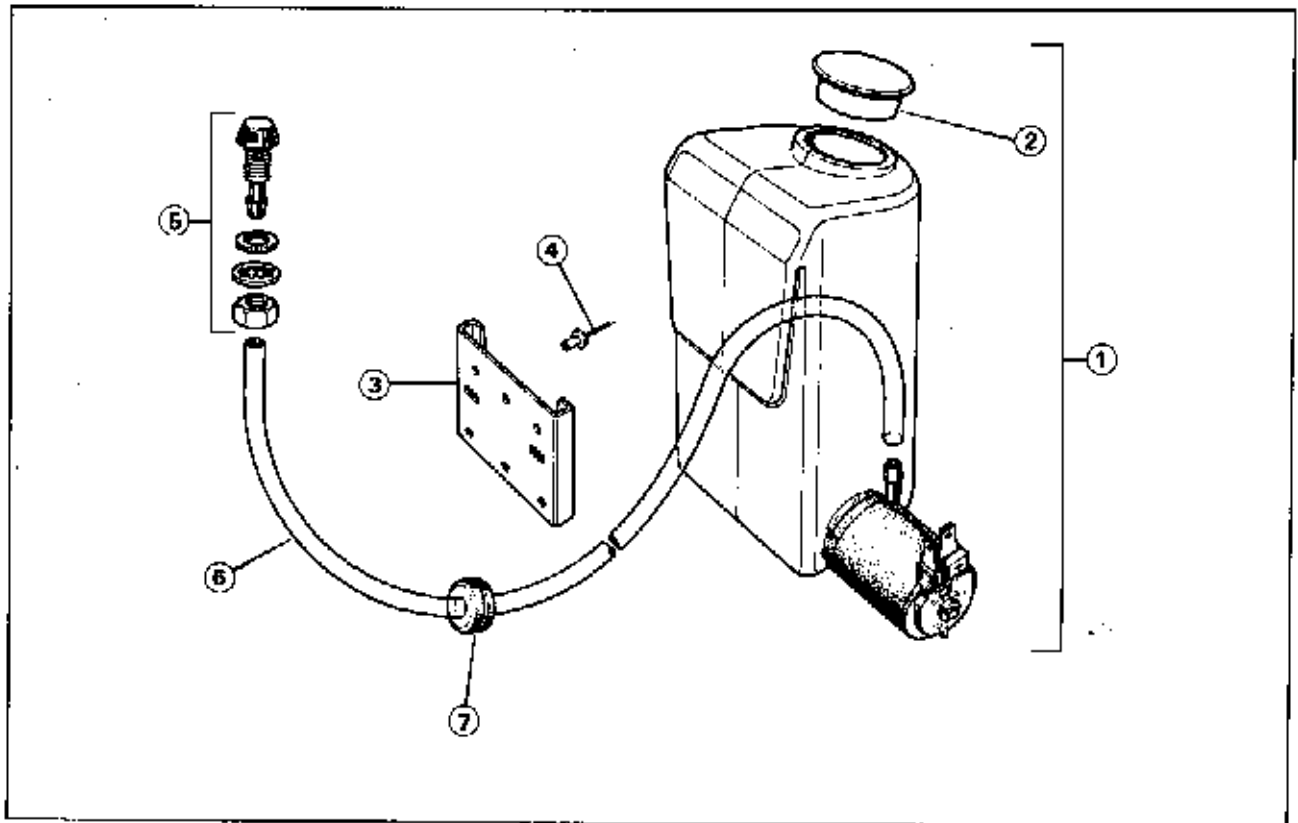
PART NO.	DESCRIPTION	ITEM	REMARKS	QTY.
ELECTRICS - GENERAL Continued				
23769	Horn Low Note with Mtg. Plate		Twin Horn Option	1
23770	Horn High Note with Mtg. Plate	34	1
28235	Horn High Note) Alternative	
28236	Horn Low Note) Arrangement	
51441B	Setscrew, Horn Securing	35	4
51131B	Washer, Horn Securing	36	4
51201B	Lockwasher, Horn Securing	37	4
50681B	Nut, Horn Securing	38	4



Electrics — Wiring harness and leads

PART NO.	DESCRIPTION	ITEM	REMARKS	QTY.
ELECTRICS - HARNESS, LEADS, CABLES				
28686	Main Harness			1
28689	Harness, Interior Lamp			1
29535	Harness, Alternator			1
28215	Cable, Battery to Earth			1
28214	Cable, Battery to Solenoid			1
22199	Cable, Solenoid to Starter			1
17178	Cable, Engine to Earth			1
27411	Cable, Coil to Distributor L.T.			1
22976	Set of Plug Leads			1
22977	Plug Lead No. 1			1
22978	Plug Lead No. 2			1
22979	Plug Lead No. 3			1
22980	Plug Lead No. 4			1
22981	Lead Coil to Distributor H.T.			2
23033	Sparking Plug			4
27871	Harness, Heated Rear Screen		2 Door	1
22529	Extension, Rear Screen Harness		2 Door	1
22530	Support Pad, Hrs. Harness		2 Door	2
213511	Grommet, Hrs. Harness		2 Door	1
27872	Harness, Heated Rear Screen and No. Plate Lamp ...		3 Door & Van	1
24384	Harness, Twin Horns		Accessory Only	
29014	Harness, Battery Condition and Clock		G.L.S. Models	1
28687	Link Lead, Flasher Lamp		Standard Models	1
28688	Link Lead, Side and Flasher Lamp		GLS Models	1
28690	Link Lead, Courtesy Lamp, Passenger		GLS Models	1
27824	Strap Harness to Steering Column			1
3873	'P' Clip, Harness to Fuse Unit			1
29210	'P' Clip, Battery and Horn Link			1
3873	'P' Clip)			3
52133B	Screw) Harness to			3
51200B	Spring Washer) Body Floor			3
50680B	Nut)			3
7814	'P' Clip)			1
531715	Screw) Alternator harness			1
51130B	Washer)			1
29331	Link Lead, No. Plate Lamp		2 Door	1
213511	Grommet		2 Door	1
51440B	Setscrew)			2
51251B	Shakeproof Washer) Earth Leads			2
51201B	Spring Washer) to Frame			2
51001B	Nut)			2
51243B	Shakeproof Washer) Aux. Harness to Stg.		G.L.S.	
50705B	Locknut) Mounting		G.L.S.	
29448	Link Lead, Heated Rear Screen		2 Door	1

Windscreen washer



PART NO.	DESCRIPTION	ITEM	REMARKS	QTY.
ELECTRICS - WINDSCREEN WASHER FRONT				
29332	Container with Motor and Cap	1	1
	Cap	2	1
213819	Bracket, Container Mounting	3	1
54185X	Rivet, Bracket to Body	4	2
21314	Jet Assy. with Fixings	5	1
202020	Tube, Motor to Jet	6	From Bulk	1
213511	Grommet, Tube through Body	7	1
28839	Switch		See Sec. T.11	1



Tool kit

PART NO.	DESCRIPTION	ITEM REMARKS	QTY.
TOOL KIT			
25065	Asy. Kit of Tools	1
25092	Tool Roll	1
15492	Jack	1
15493	Handle, Jack	1
20457	Spanner, Wheel Nut	1



Accessories — Radio

PART NO.	DESCRIPTION	ITEM	REMARKS	QTY.
ACCESSORIES - RADIO				
90810	Radio Kit		3 Door & Van	
90811	Radio Kit		2 Door	
26378	Receiver		Phillips AN 162	1
23014	Mounting Plate Rear	1
24157	Mounting Plate Front	1
26357	Installation and Suppression Kit	1
22637	Aerial		2 Door	1
25478	Aerial - Side Mounting		3 Door & Van	1
26358	Speaker and Leads Kit	1
51130B	Washer - Suppressor to Speedo Lead	1
207778	Condenser - Alternator		3 M.P.	1
53161g	Screw - Condenser to Alternator	1
7814	'P' Clip, Aerial Lead to Floor	3
52123B	Screw, Aerial Lead to Floor	3
51200B	Lockwasher, Aerial Lead to Floor	3
50680B	Nut, Aerial Lead to Floor	3
23031	Grommet, Aerial Lead	2
56908	Insulated Tape		3/4" x 9	



Accessories – Miscellaneous

PART NO.	DESCRIPTION	ITEM REMARKS	QTY.
ACCESSORIES - MISCELLANEOUS			
	Aluminium Alloy Wheel Kit		1
24625	Alloy Wheel		2
24618	Nut, Wheel Retaining		8
18882	Valve		2
24120	Hub Centre with Decal		2
	Battery Condition Indicator Kit		1
29018	B.C. Indicator		1
29014	Harness		1
90971	Cigar Lighter Kit		1
200373	Cigar Lighter		1
91016	Bracket		1
91024	Lead, Lighter to Fuse Box		1
91054	Lead, Earth		1
91323	Dog Guard		1
91308	Door, Pocket Trim		1
25676	Trim		2
25711	Clip		6
90972	Exhaust Trim		1
92774	Door Mirror Kit R.H.		1
92775	Door Mirror Kit L.H.		1
	Electronic Ignition Kit		1
	Distributor Kit		1
	Amplifier Kit		1
	Exhaust System - Stainless		1
92803	Down Pipe		1
92804	Silencer and Tail Pipe		1
92826	Fitting Kit		1
90975	Gear Lever Knob, Wood		1
90976	Gear Lever Knob, Leather		1
90219	Key Fob		1
21346	Laminated Front Windscreen		1
27491	Locking Patrol Cap w/Keys	OR 27484	1
92116	Mug Flap Kit		1
27370	Mud Flap		2
	Oil Pressure Gauge Kit		1
22310	Oil Pressure Gauge		1
22511	Pipe With Grommet		1
200628	Washer, Pipe to Gauge		1
10379	Adaptor, Pipe to Cyl. Block		1
22518	Clip, Pipe Securing		1
90668	Wiring Harness with Bulb		1
	Rear Seat Conversion PVC Grey		1
	Rear Seat Conversion Fabric Grey		1
28874	Cushion PVC Grey		1
28875	Cushion Fabric Grey		1
28876	Squab PVC Grey		1
28879	Squab Fabric Grey		1
27020	Spacer, Abutment to Body) Alternatives)	2
22269	Spacer, Abutment to Body		
27014	Abutment Assy.		2
51851B	Screw, Abutment to Body		4
52124R	Screw, Hinge to Floor		6
51130B	Washer, Hinge to Floor		6
50680B	Nut, Hinge to Floor		6
51200B	Lockwasher, Hinge to Floor		6
20437	Tappit Cushion Fixing		5
90980	Reversing Lamp Kit		1
91000	Reversing Lamp		1
91062	Illuminated Switch		1
91034	Earth Lead to Chassis		1
91035	Lead, Light Switch		1
91058	Lead, Switch to Lamp		1
91059	Lead, Switch to Switch		1
91060	Lead, Switch to Instrument Earth		1
53172B	Screw, Lamp Securing		4
16043	Nylon Insert		4
91046	Edge Clip		6
200467	Grommet, Body		1
17662	Diaphragm Grommet		1
90980	Seat Cover, Tartan	Pair	1
90981	Seat Cover, Cheetah	Pair	1
90982	Seat Cover, Simulated Sheepskin	One	2

continued overleaf:-

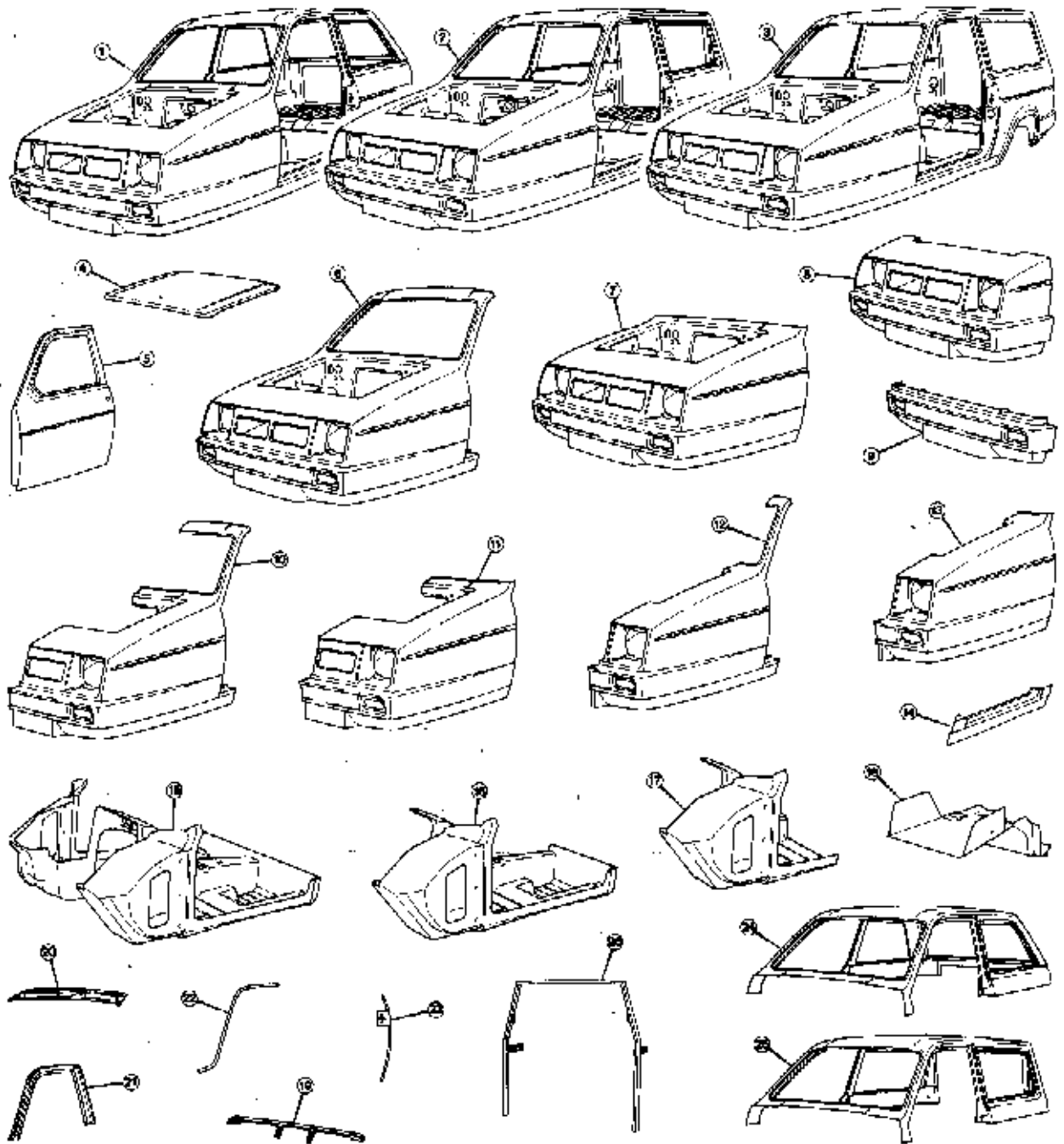


Accessories – Miscellaneous



PART NO.	DESCRIPTION	ITEM REMARKS	QTY.
ACCESSORIES - MISCELLANEOUS Continued			
90899	Side Window Conversion	Van	1
24350	Side Window	2
24351	Weatherstrip R.H.	1
24352	Weatherstrip L.H.	1
91312	Spare Wheel Fixing Kit	1
25485	Strap with Clips	1
25484	Hookplate	2
52122B	Screw, Hook Plate to Body	4
51200B	Lockwasher	4
29046	Spare Wheel Cover, Grey	1
20109	Spare Wheel and Tyre	1
	Steel Rim 520 x 10 x Ply	1
24841	Spare Wheel and Tyre	1
	Steel Rim 145 x 10 Radial	Use w/Alloy wls	1
21565	Steering Wheel Glove	1
19288	Lace for Glove	1
	Sun Visor Kit	1
27101	Sun Visor with Mirror	1
16043	Insert, Visor to Body	2
53172B	Screw, Visor to Body	2
	Treadplate Kit	1
25289	Treadplate	2
54176K	Rivet, Treadplate to Sill	16
	Twin Horn Kit	1
33769	Horn Low Note	OR: 38236	1
51441B	Setscrow, Horn Securing	2
51131B	Washer, Horn Securing	2
51201B	Lockwasher, Horn Securing	2
50681B	Nut, Horn Securing	2
24384	Harness, Twin Horn	1
90984	Weathershield R.H.	1
90987	Weathershield L.H.	1
20934	Wheel Trim - Pair	1
92933	Rear Parcel Tray Kit	1
29585	Rear parcel tray assembly	1
29588	Stud, rear parcel tray securing	1
58705	Bolt, stud to body	1
58931B	Washer, stud to body	3
58961B	Spring washer, stud to body	1
29589	Spare wheel cover assembly, parcel shelf support	1
53172T	Screw, cover to body	2
16043	Insert, cover to body	2
52134B	Screw, bracket to body	Replaces 51851B Screw - rear seat abutment (LH) when parcel tray is fitted	2

Glass fibre sections – Front



PART NO.	DESCRIPTION	ITEM	REMARKS	QTY.
GLASS FIBRE REPAIRS - FRONT SECTIONS				
56841	Chopped Strand Mat		See Price List	
56760	Lay up Resin		See Price List	
56729	Fire Retardant Resin		See Price List	
56987	Catalyst Paste		See Price List	
28471	Body Shell 2 Door	1	
28467	Body Shell 3 Door	2	
28466	Body Shell Van	3	

continued overleaf

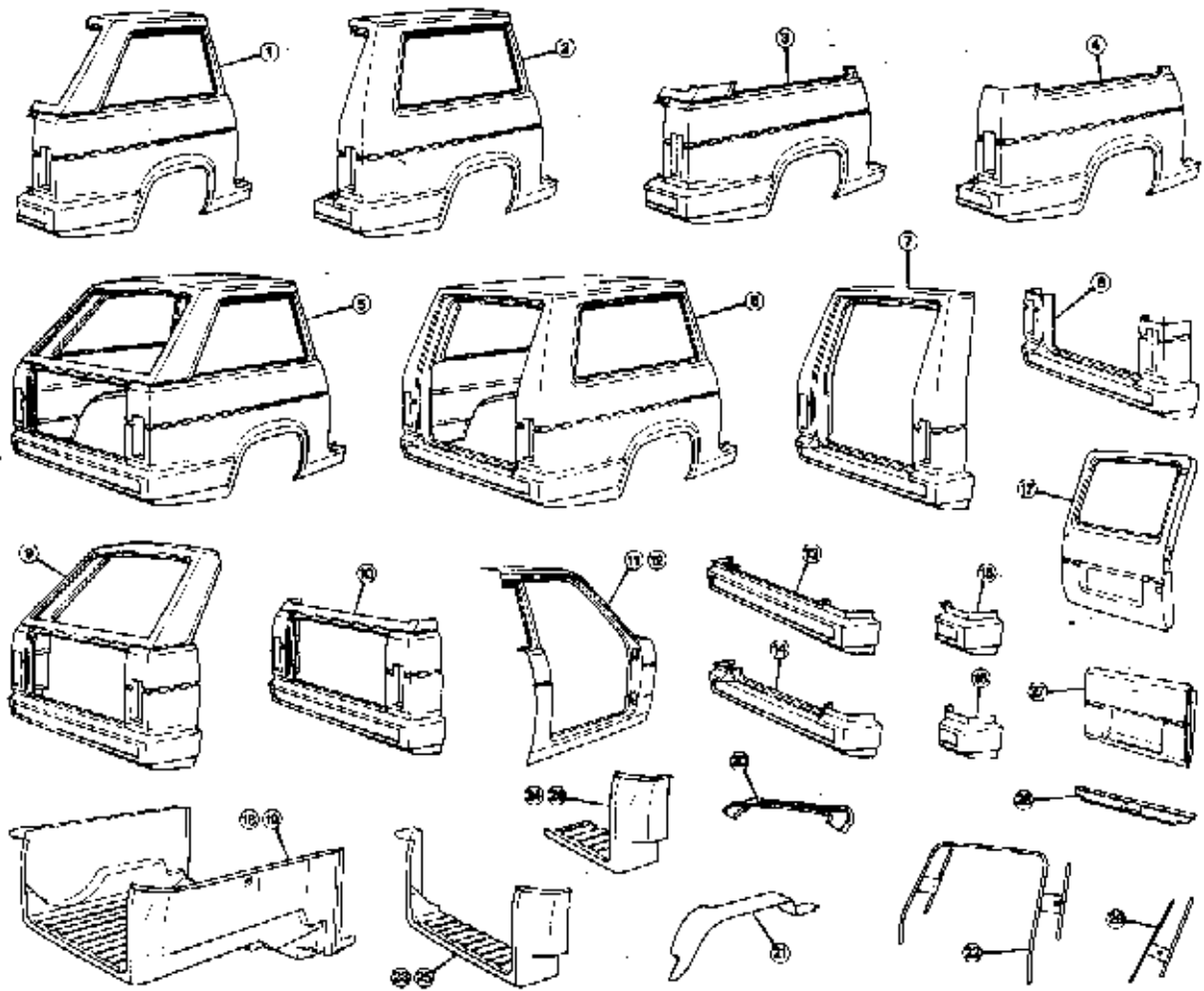


Glass fibre sections — Front



PART NO.	DESCRIPTION	ITEM	REMARKS	QTY.
GLASS FIBRE REPAIRS - FRONT SECTIONS continued:-				
28641	Bonnet Lid Assy.	4	
28970	Side Door Shell R.H.	
28971	Side Door Shell L.H.	
92875	Front Body with Pillars	5	
92876	Front Body with Less Pillars	6	
92877	Front Nose	7	
92878	Front Bumper	8	
92879	Half Front with Pillar R.H.	9	
92880	Half Front with Pillar L.H.	
92881	Half Front Less Pillar R.H.	10	
92882	Half Front Less Pillar L.H.	
92883	Front Wing with Pillar R.H.	11	
92884	Front Wing with Pillar L.H.	
92885	Front Wing Less Pillar R.H.	12	
92886	Front Wing Less Pillar L.H.	
92887	Door Sill R.H.	13	
92888	Door Sill L.H.	
92192	Floor Complete Toebox to Heelboard	14	
92191	Floor Toebox to Heelboard R.H.	15	
91337	Floor Toebox to Heelboard L.H.	
92190	Toebox R.H.	16	
91339	Toebox L.H.	
2092FG	Air Duct	17	
1609FG	Fascia Support	18	1
1224FG	Header Rail Front	19	1
1627FG	Side Door Aperture Rail R.H.	20	1
1628FG	Side Door Aperture Rail L.H.	1
21111	Cantrail	21	1
28126	Striker Stiffener R.H.	22	2
28127	Striker Stiffener L.H.	
92889	Roof to Waist	23	
92890	Roof to Waist	24	2 Door	
28212	Roll Bar/'B' Post Stiffener	25	3 Door and Van	
		26	

Glass fibre sections – Rear



PART NO.	DESCRIPTION	ITEM	REMARKS	QTY.
GLASS FIBRE REPAIRS - REAR SECTION				
92891	Rear Body Side R.H.	1	2 Door	
92892	Rear Body side L.H.	2	2 Door	
92893	Rear Body Side R.H.	2	3 Door and Van	
92894	Rear Body Side L.H.	2	3 Door and Van	
92895	Rear Quarter Panel R.H.	3	2 Door	
92896	Rear Quarter Panel L.H.	3	2 Door	
92897	Rear Quarter Panel R.H.	4	3 Door and Van	
92898	Rear Quarter Panel L.H.	4	3 Door and Van	
92899	Full Rear Body with Roof	5	2 Door	
92900	Full Rear Body with Roof	6	3 Door and Van	
92901	Rear Door Aperture Complete	7	3 Door and Van	
92902	Rear Door Aperture Lower	8	3 Door and Van	
92903	Short Rear Body	9	2 Door	
92904	9 inch Rear Section	10	2 Door	
92905	Side Door Aperture R.H.	11	2 Door	
92906	Side Door Aperture L.H.	11	2 Door	
92907	Side Door Aperture R.H.	12	3 Door and Van	
92908	Side Door Aperture L.H.	12	3 Door and Van	
92909	Rear Bumper	13	2 Door	
92910	Rear Bumper	14	3 Door	
92911	Rear Corner R.H.	15	2 Door	
92912	Rear Corner L.H.	15	2 Door	
92913	Rear Corner R.H.	16	3 Door and Van	
92914	Rear Corner L.H.	16	3 Door and Van	

continued overleaf:-



Glass fibre sections - Rear



PART NO.	DESCRIPTION	ITEM	REMARKS	QTY.
GLASS FIBRE REPAIRS - REAR SECTION continued:-				
25130	Rear Door Shell	17	3 Door and Van	
92915	Rear Floor Assy.	18	2 Door	
90745	Rear Floor	19	3 Door and Van	
1234FG	Header Rail Rear	20	2 Door	
1225FG	Wheel Arch R.H.	21	
1226FG	Wheel Arch L.H.	
21110	Stiffener, Rear Door Aperture	22	3 Door and Van	
92916	12 inch Rear Inner	23	2 Door	
92917	Half 12 inch Rear Inner R.H.	24	2 Door	
92918	Half 12 inch Rear Inner L.H.		2 Door	
90908	12 inch Rear Inner	25	3 Door and Van	
90909	Half 12 inch Rear Inner R.H.	26	3 Door and Van	
90910	Half 12 inch Rear Inner L.H.		3 Door and Van	
29242	Tailgate Shell.....	27	2 Door	
92934	Waist Rail	28	2 Door	
29161	Stiffener 'C' Post RH	29	2 Door	
29162	Stiffener 'C' Post LH		2 Door	